

Part number:

006-10695

**HYDROMA**

HYDRAULICKÉ SYSTÉMY

**HIDROMA  
SISTEMS**

UKŁADY HYDRAULICZNE

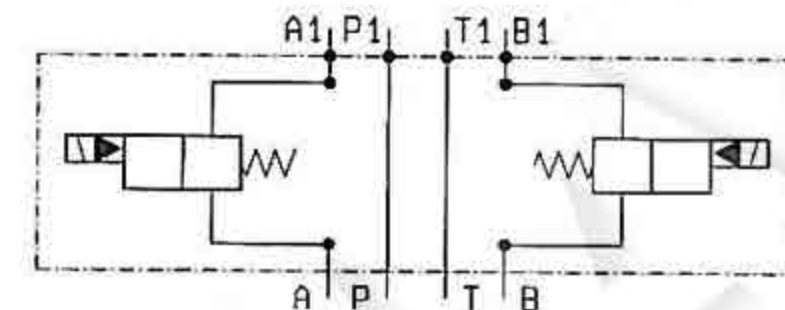
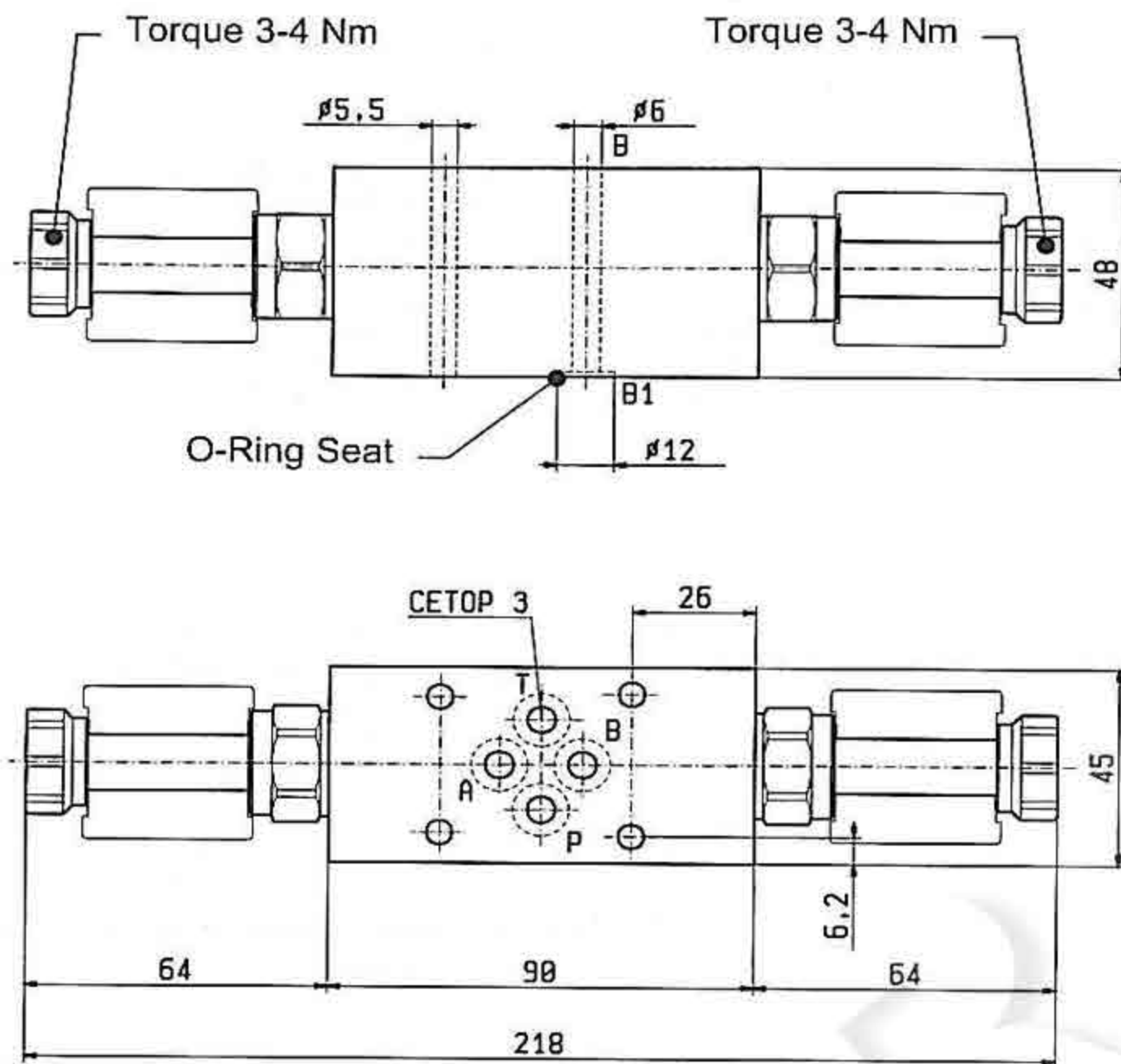
**HYDROMA**

ГИДРАВЛИЧЕСКИЕ СИСТЕМЫ

**SANDWICH VALVES  
MODULES WITH SOLENOID VALVES**

**EM-VEI8A-CETOP 3-A/B**

**OP.15 - K - 18.29 - Y**



These modules include two two-way solenoid operated cartridge valves VEI-8A-06 (SAME MODEL)

**TECHNICAL DATA**

|                            |     |       |
|----------------------------|-----|-------|
| Maximum Operating Pressure | 250 | bar   |
| Rated Flow                 | 40  | l/min |

See cartridge data sheets for curves, features and functional details.

Manifolds in high-strength aluminum for working pressures up to 250 bar.

Special steel manifolds can be supplied upon request for working pressures up to 350 bar and for fatigue cycle applications.

**IMPORTANT :** All products shown in this page are not available from stock and not included in our standard price list. Please contact our Sales Department for any information.

**K** Same as cartridge code

**MANUAL OVERRIDE OPTIONS**

| Y  | MANUAL OVERRIDE OPTIONS |                      |             |                      |
|----|-------------------------|----------------------|-------------|----------------------|
|    | K = 05                  | K = 06               | K = 31      | K = 32               |
| 17 | /                       | No Override          | /           | No Override          |
| 18 | /                       | Push Style           | /           | Push Style           |
| 19 | /                       | Push and Twist Style | /           | Push and Twist Style |
| 37 | No Override             | /                    | No Override | /                    |
| 47 | Knob Style              | /                    | Knob Style  | /                    |

**CARTRIDGES TO BE INSERTED  
(OD.15 - K - 18 - Y - 00)**

| VEI                   |  |
|-----------------------|--|
| OD.15.05.18. - Y - 00 |  |
| OD.15.06.18. - Y - 00 |  |
| OD.15.31.18. - Y - 00 |  |
| OD.15.32.18. - Y - 00 |  |

|  |  |  |
|--|--|--|
|  |  |  |
|  |  |  |
|  |  |  |
|  |  |  |
|  |  |  |
|  |  |  |