

Part number:

HYDROMA

HYDRAULICKÉ SYSTÉMY

**HIDROMA
SYSTEMS**

UKŁADY HYDRAULICZNE

HYDROMA

ГИДРАВЛИЧЕСКИЕ СИСТЕМЫ

Certified ISO 9001 and 14001



HT 12 / A / 552 / 1212 / E

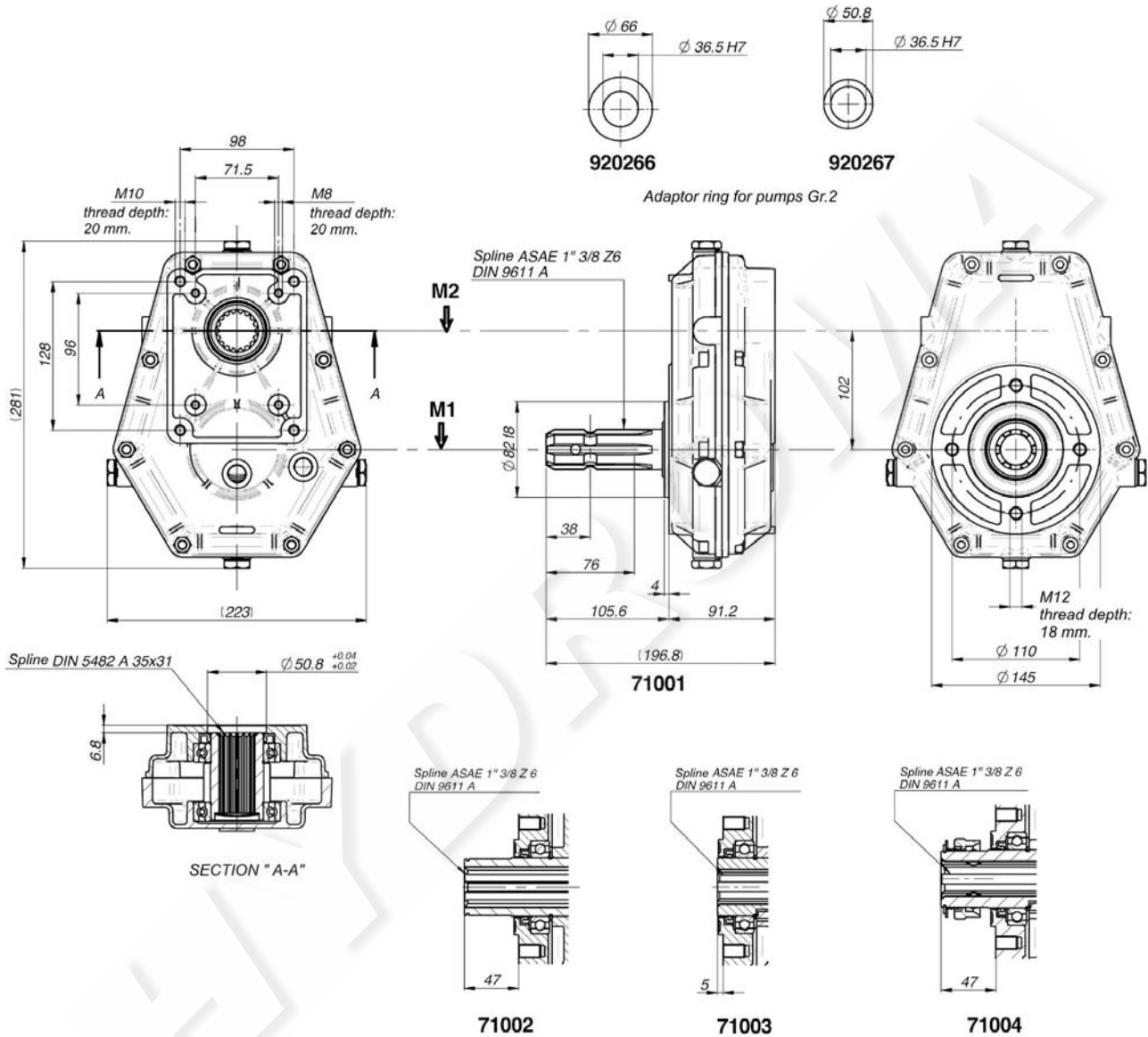
Speed-up and Splitter Gearboxes



Speed-up and Splitter Gearboxes

Speed-up Gearboxes Series 71000 20 kW - Outlet pump flange Gr. 3

INSTALLATION DRAWING



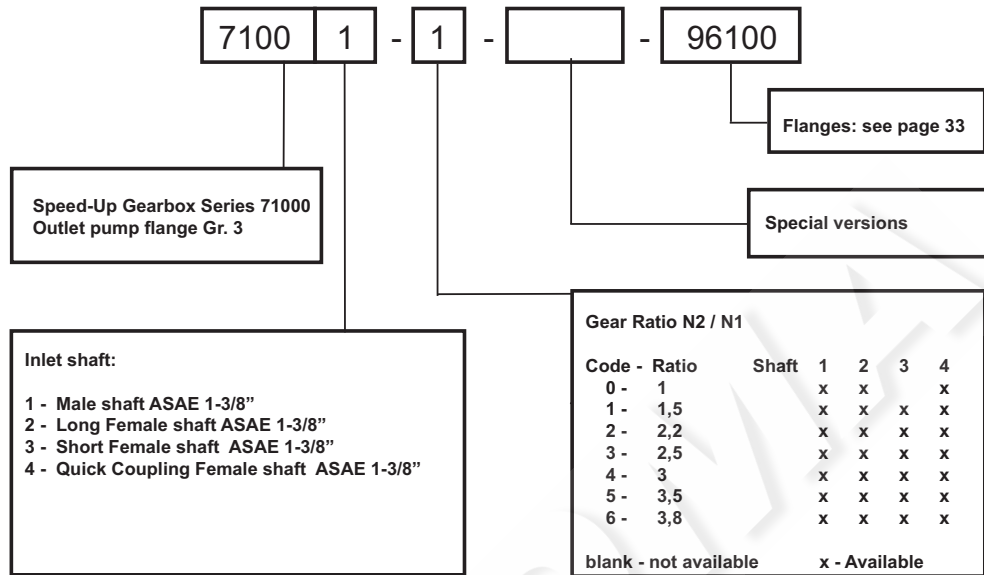
Housing oil capacity : lt 0,350

INPUT TORQUE M1 daNm	OUTPUT TORQUE M2 daNm	INPUT SPEED N1 n/min.	OUTPUT SPEED N2 n/min.	RATIO N2 /N1	POWER kW	MASS kg
31	31	540	540	1	20	8,4
38	26	540	810	1,5	20	8,4
43	21	540	1080	2	20	8,4
46	18	540	1408	2,5	20	8,4
49	16	540	1620	3	20	8,4
46	13	540	1836	3,5	20	8,4
43,7	11,5	540	2057	3,8	20	8,4

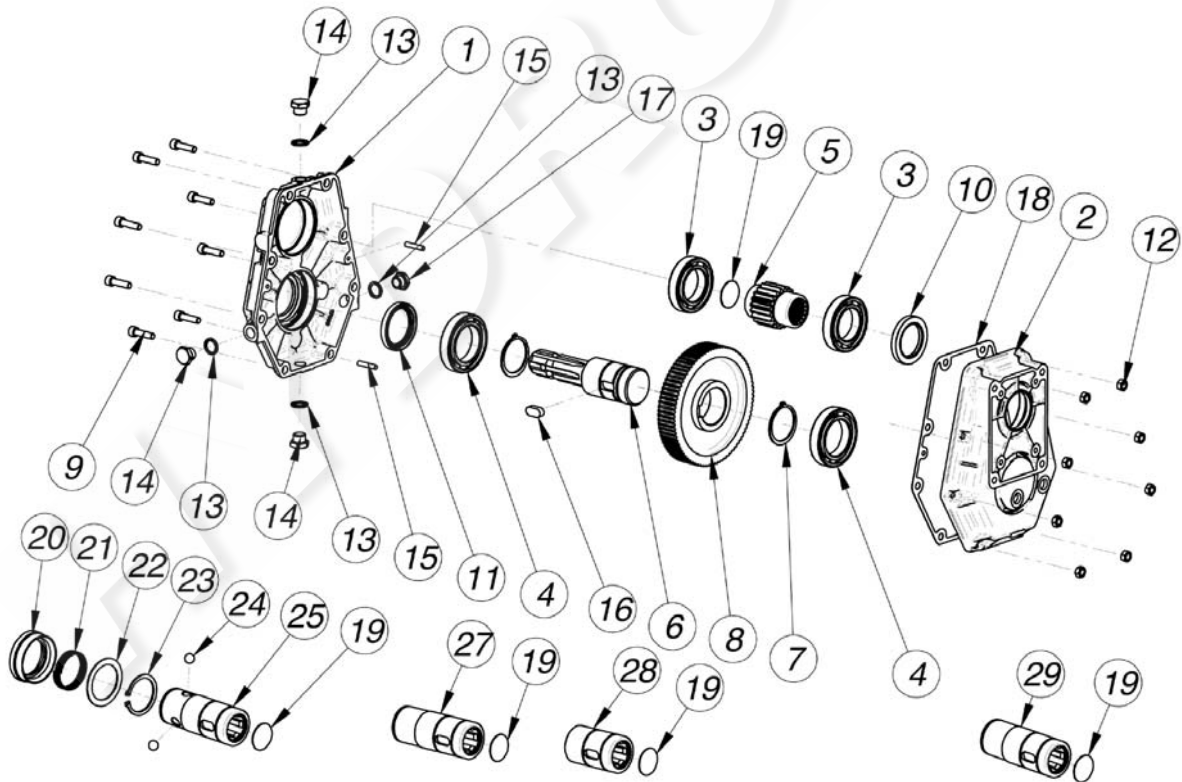
Speed-up and Splitter Gearboxes

Speed-up Gearboxes Series 71000 20 kW - Outlet pump flange Gr. 3

ORDER CODE



SPARE PARTS LIST



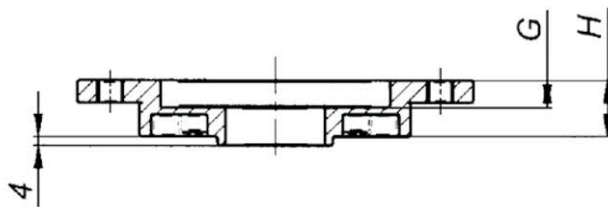
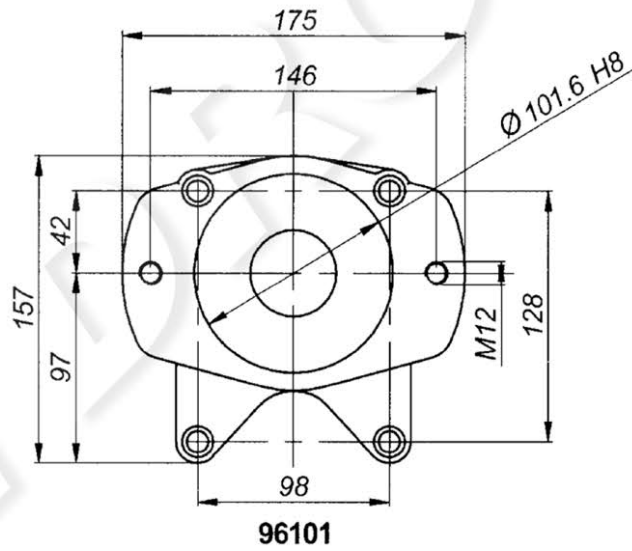
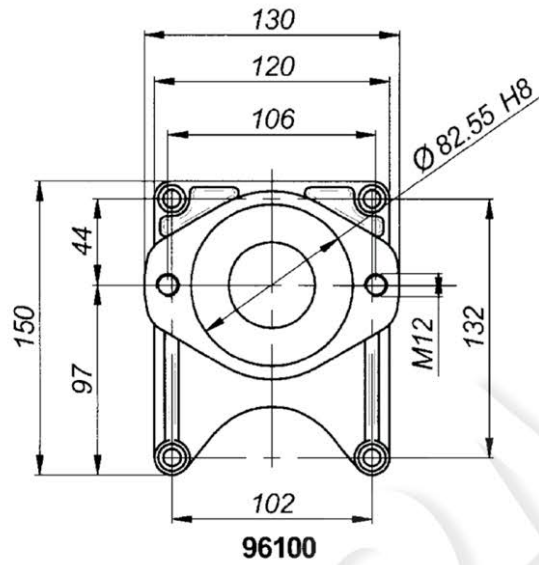
Ref.	DESCRIPTION	Q.ty
1	Housing	1
2	Cover	1
3	Bearing 6009	2
4	Bearing 6010	2
5	Pinion gear	1
6	Female P.T.O. shaft 1"3/8" Z6	1
7	Snap ring d.50	2
8	Ring gear	1
9	Socket capscREW M8x30	8
10	Sealing ring 45x65x8	1

Ref.	DESCRIPTION	Q.ty
11	Sealing ring 50x65x8	1
12	Nut M8	8
13	Gasket	4
14	Oil drain plug 3/8"	3
15	Peg d.6	2
16	Key 12x25	1
17	Oil drain plug 3/8"	1
18	Gasket	1
19	Cap DIN 470 D.37	1
20	Spring ring	1

Ref.	DESCRIPTION	Q.ty
21	Spring	1
22	Ring	1
23	Snap ring UNI 7435 - 50	1
24	Ball d.13	1
25	Female P.T.O. shaft 1"3/8" Z6, Quick fitting	1
27	Female P.T.O. shaft 1"3/8" Z6 long	1
28	Female P.T.O. shaft 1"3/8" Z6 long	1
29	Female P.T.O. shaft Z21 16/32" DP long	1

Speed-up and Splitter Gearboxes

FLANGES for SPEED-UP and SPLITTER GEARBOXES Series 71000 - 70012 - 85000



	FLANGE TYPE	
	SAE A Gr. 3	SAE B Gr. 3
Code	96100	96101
G	10	12
H	16	24