

Part number:

**081-10014**

**HYDROMA**

HYDRAULICKÉ SYSTÉMY

**HIDROMA  
SISTEMS**

UKŁADY HYDRAULICZNE

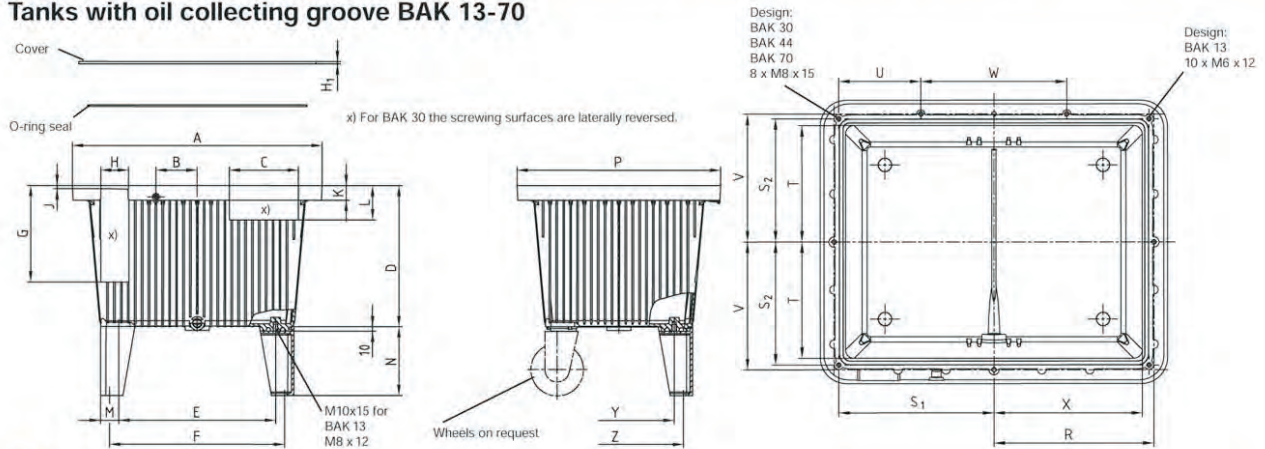
**HYDROMA**

ГИДРАВЛИЧЕСКИЕ СИСТЕМЫ



- Made from aluminium
- With oil collecting groove on periphery for collection of leakage oil (Water Resources Act)
- Produced according to DIN 24346 for no-pressure operation
- Complete draining of tank due to the slanting surface with draining channel
- O-ring seal for all tank sizes, ready to use
- No painting or priming of the tank required
- Good heat loss capacity due to high caloric conductivity and large heat dissipating surfaces
- All tanks are 100 % tight and may be stacked without jamming
- All sizes available from stock
- All tanks including drain plug similar to DIN 908
- Temperature resistant up to + 120 °C

**Tanks with oil collecting groove BAK 13-70**

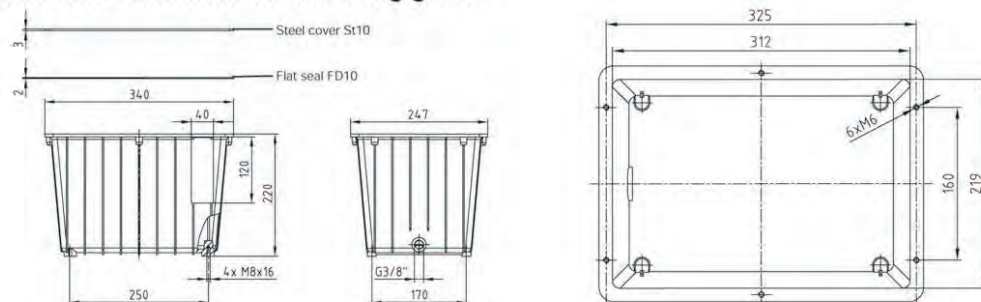


**Tanks with collecting groove**

Size	Capacity effect in litres	Seal	Dimensions [mm]																								
			A	B	C	D	E	F	G	H	J	K	L	M	N	P	R	S <sub>1</sub>	S <sub>2</sub>	T	U	V	W	X	Y	Z	H <sub>1</sub>
BAK 13	11,5	RS13NBR	330	30	105	260	188	-	160	45	9	20	80	27	-	260	147,5	-	112,5	97	100	112,5	95	132	118	-	4
BAK 30	27	RS30NBR	503	60	135	313	300	340	150	60	13	30	130	40	150	353	230	224,5	149,5	139,5	-	155	-	214,5	150	190	5
BAK 44	40	RS44NBR	543	90	150	307	341	381	210	60	13	30	75	40	150	443	250	242,5	192,5	182	-	200	-	232	241	281	5
BAK 70	63	RS70NBR	650	120	150	357	422,5	462,5	210	60	13	30	75	40	150	507	295	287,5	217,5	207	-	225	-	277	282,5	322,5	5

**Oil tanks BAK 10 and BAK 20 without oil collecting groove**

**BAK 10:**



**BAK 20:**

