

Part number:

HYDROMA

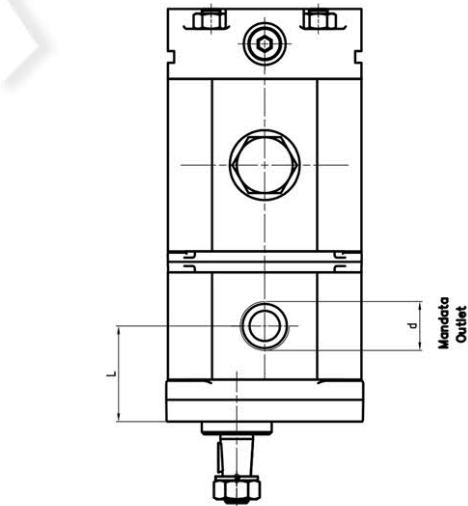
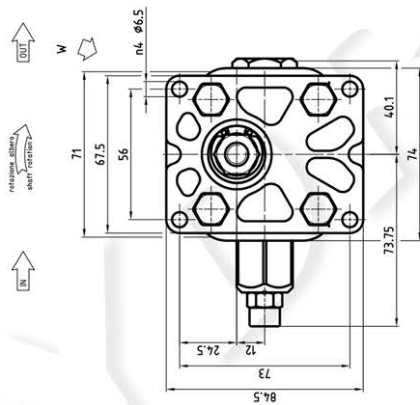
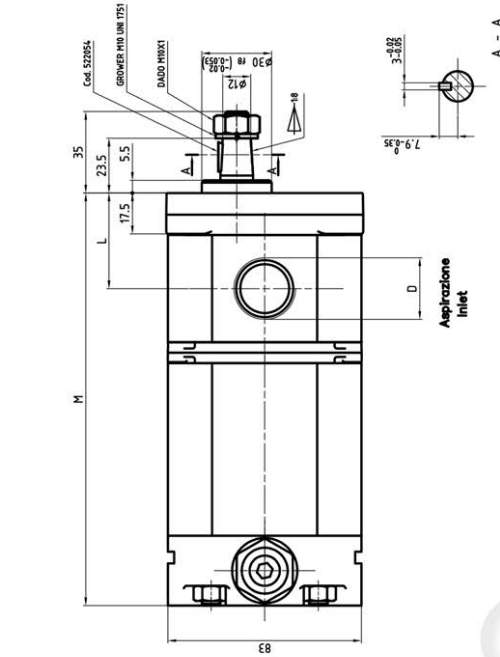
HYDRAULICKÉ SYSTÉMY

**HIDROMA
SISTEMS**

UKŁADY HYDRAULICZNE

HYDROMA

ГИДРАВЛИЧЕСКИЕ СИСТЕМЫ



TIPO	Cilindrata Displacement Code	L (mm)	M (mm)	P (bar)	D (mm)	d
DESTRA Clockwise	N2000125	38.0	143	30		
ALP1HL-D-3/6-9/8-30-FR06	2.1+4.1	38.0	143	30		
N2000141	2.1+4.1	38.0	143	50	G3/4	G1/2
ALP1HL-D-3/6-9/8-50-FR06	2.8+4.1	39.0	145	30		
N2000122	2.8+4.1	39.0	145	30		
ALP1HL-D-4/6-9/8-30-FR06	3.5+3.5	40.0	145	50		
N2000148	3.5+3.5	40.0	145	50		
ALP1HL-D-4/6-9/8-50-FR06	2.8+5.2	39.0	148	50	G1/2	G3/8
N2000136	2.8+5.2	39.0	148	50		
ALP1HL-D-4/20-9/8-40-FR06	2.8+13.8	39.0	173	40		
N2000096	2.8+13.8	39.0	173	40		
ALP1HL-D-4/20-9/8-50-FR06	4.1+7.6	41.0	169	30		
N2000124	4.1+7.6	41.0	169	30	G3/4	G1/2
ALP1HL-D-6/11-9/8-30-FR06	6.2+7.6	44.0	165	30		
N2000174	6.2+7.6	44.0	165	30		
ALP1HL-D-6/11-9/8-50-FR06	2.8+11	39.0	165	50		
N2000175	2.8+11	39.0	165	50		
ALP1HL-D-4/16-9/8-50-FR06	2.8+13.8	39.0	173	30	UNF	
N2000112	2.8+13.8	39.0	173	30		
ALP1HL-D-4/20-FA-40-FR06	4.1+7.6	41.0	159	30	7/8-3/4	
N2000112	4.1+7.6	41.0	159	30		
ALP1HL-D-6/11-FA-30-FR06	4.1+11	41.0	169	30	14	16
N2000071	4.1+11	41.0	169	30		
ALP1HL-D-6/20-FA-30-FR06	4.1+13.8	41.0	177	30		
N2000071	4.1+13.8	41.0	177	30		

1105.09 Tagliando codice N2050075 IN TABELLA

Nome _____

DATA _____

SEGRETO Controlli _____

REVISIONI _____

REVISIONI APPROVATO _____

REVISIONI 594085 / F

REVISIONI DIS 594085 / G

REVISIONI COD. Verif. tabella _____

REVISIONI COMPLESSIVO _____

REVISIONI ALP1HL-D-3/6-9/8-FA-30-FR06

REVISIONI 2X-2006

Page 1 of 1 A1