

Part number:

**006-10528**

**HYDROMA**

HYDRAULICKÉ SYSTÉMY

**HIDROMA  
SISTEMS**

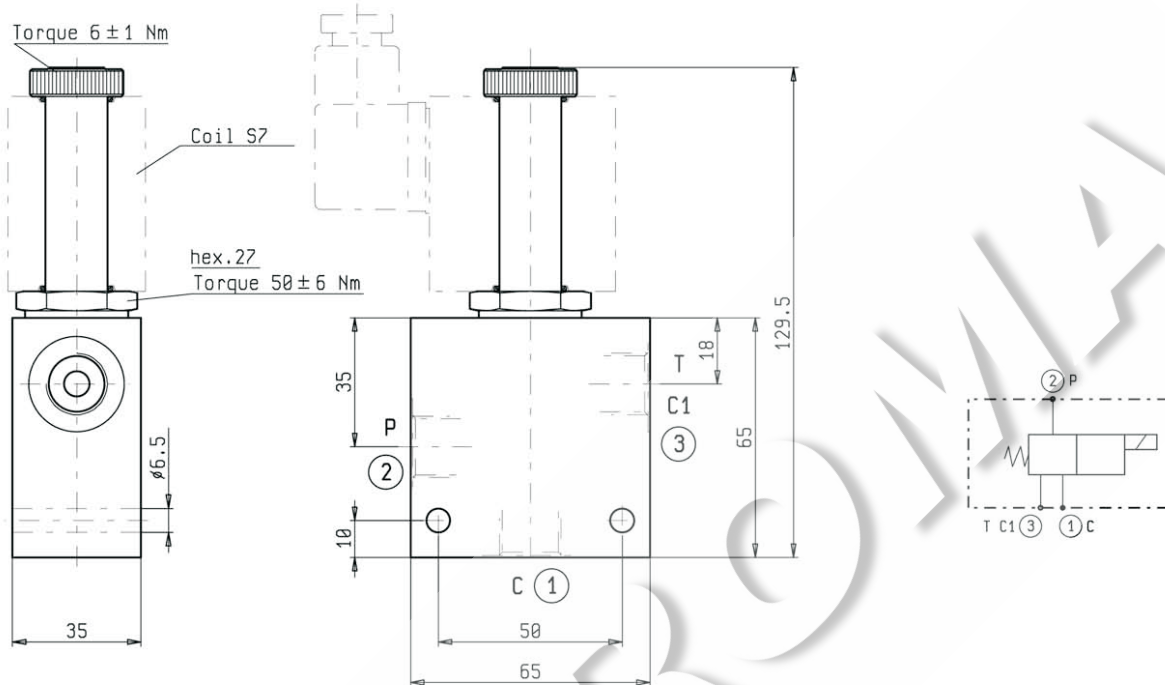
UKŁADY HYDRAULICZNE

**HYDROMA**

ГИДРАВЛИЧЕСКИЕ СИСТЕМЫ

**SOLENOID OPERATED CARTRIDGE VALVES IN MANIFOLD  
3-WAY SIZE 09 SERIES 71 STANDARD MANIFOLD**

**VED-CS-71-32-09**



**FEATURES - RATINGS**

**Maximum Operating Pressure 210 bar**

- See cartridge data sheets for curves, features and functional details
- Standard manifolds in high strength aluminum. To order manifold only see page 6.01.12
- **IMPORTANT** : Ordering code of cartridge in standard manifold models is the same of cartridge only models except for first couple of digits - **OS** instead of **OD** - and sixth couple of digits **Z** - PORT SIZE instead of **00**.

EXAMPLE : OD.13.10.77.70.00 OS.13.10.77.70 - Z

**ORDERING CODE AND OPTIONS**

**OS.13 - K - 77 - Y - Z**

|          |                        |
|----------|------------------------|
| <b>K</b> | Same as cartridge code |
| <b>Y</b> | Same as cartridge code |
|          |                        |

|           |                  |
|-----------|------------------|
| <b>Z</b>  | <b>Port Size</b> |
| <b>02</b> | G 3/8            |
| <b>09</b> | G 1/4            |

**CARTRIDGES TO BE INSERTED**

OD.13.10.77. - Y - 00  
OD.13.20.77. - Y - 00  
OD.13.30.77. - Y - 00