

Part number:

HYDROMA

HYDRAULICKÉ SYSTÉMY

**HIDROMA
SYSTEMS**

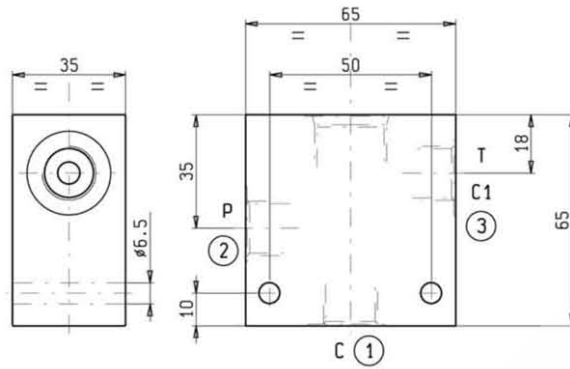
UKŁADY HYDRAULICZNE

HYDROMA

ГИДРАВЛИЧЕСКИЕ СИСТЕМЫ

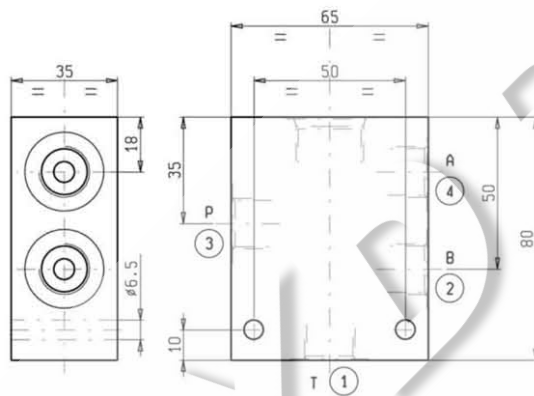
STANDARD MANIFOLDS

3 WAY - 4 WAY ALUMINUM SIZE 09



CAVITY **077-E**
Dimensions on page 7.01.14

ORDERING CODE	PORTS P-C-C1-T	WEIGHT Kg
OC.10.09.116	G 1/4	0.170
OC.10.09.115	G 3/8	0.170



CAVITY **078-E**
Dimensions on page 7.01.14

ORDERING CODE	PORTS A-B-P-T	WEIGHT Kg
OC.10.09.117	G 1/4	0.170
OC.10.09.118	G 3/8	0.170

MAX. PRESSURE 250 bar

FEATURES

- Standard manifolds in high-strength aluminum TA-7020 for working pressures up to 250 bar.