

Part number:

HYDROMA

HYDRAULICKÉ SYSTÉMY

**HIDROMA
SYSTEMS**

UKŁADY HYDRAULICZNE

HYDROMA

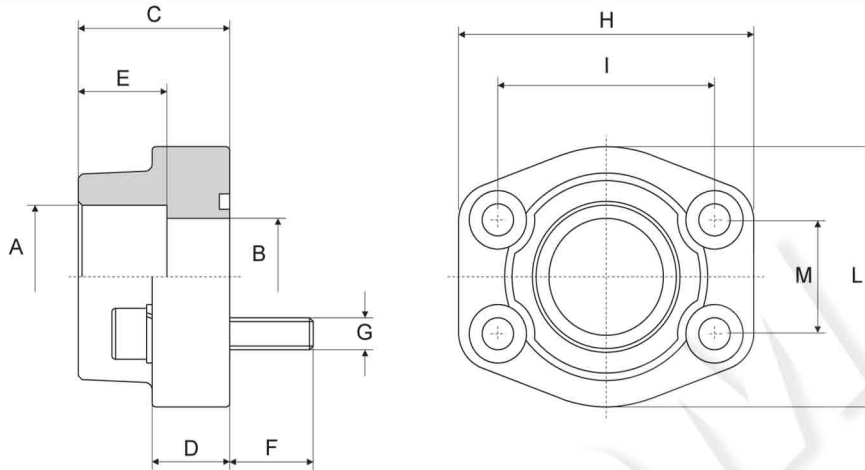
ГИДРАВЛИЧЕСКИЕ СИСТЕМЫ

Flangia a saldare di tasca

Socket weld flange

Bride à emmanchement

Einlötfansch



Serie 3000 psi

| Pressione max esercizio bar | Tipo Type | A | S.A.E. | B | C | D | E | F | G Viti / Bolts | | H | I | L | M | OR O-RING |
|-----------------------------|--------------|-------|--------|-----|----|----|----|----|----------------|-------|-----|-------|-----|------|-----------|
| | | | | | | | | | Metr. | UNC | | | | | |
| 348 | C.F.S. 080-S | 17,5 | 3/8" | 13 | 36 | 16 | 18 | 14 | M 8 | 5/16" | 57 | 38,1 | 47 | 17,5 | 4075 |
| 348 | C.F.S. 080-S | 21,6 | 1/2" | 13 | 36 | 16 | 18 | 14 | M 8 | 5/16" | 57 | 38,1 | 47 | 17,5 | 4075 |
| 348 | C.F.S. 100-S | 27,2 | 3/4" | 19 | 36 | 18 | 18 | 16 | M10 | 3/8" | 66 | 47,6 | 49 | 22,3 | 4100 |
| 348 | C.F.S. 102-S | 34,1 | 1" | 25 | 38 | 18 | 18 | 16 | M10 | 3/8" | 71 | 52,4 | 53 | 26,2 | 4131 |
| 278 | C.F.S. 104-S | 42,8 | 1 1/4" | 31 | 41 | 21 | 20 | 18 | M10 | 7/16" | 80 | 58,7 | 69 | 30,2 | 4150 |
| 210 | C.F.S. 106-S | 48,6 | 1 1/2" | 38 | 44 | 25 | 22 | 18 | M12 | 1/2" | 94 | 69,9 | 77 | 35,7 | 4187 |
| 210 | C.F.S. 108-S | 61 | 2" | 50 | 45 | 25 | 24 | 18 | M12 | 1/2" | 103 | 77,8 | 89 | 42,9 | 4225 |
| 175 | C.F.S. 110-S | 76,6 | 2 1/2" | 63 | 50 | 25 | 23 | 18 | M12 | 1/2" | 115 | 88,9 | 101 | 50,8 | 4275 |
| 138 | C.F.S. 112-S | 90,5 | 3" | 73 | 50 | 27 | 28 | 25 | M16 | 5/8" | 135 | 106,4 | 124 | 61,9 | 4337 |
| 35 | C.F.S. 114-S | 103 | 3 1/2" | 89 | 50 | 27 | 28 | 25 | M16 | 5/8" | 152 | 120,7 | 136 | 69,9 | 4387 |
| 35 | C.F.S. 116-S | 115,3 | 4" | 99 | 50 | 27 | 28 | 25 | M16 | 5/8" | 162 | 130,2 | 146 | 77,8 | 4437 |
| 35 | C.F.S. 118-S | 142 | 5" | 120 | 50 | 28 | 28 | 25 | M16 | 5/8" | 184 | 152,4 | 180 | 92,1 | 4537 |

Serie 6000 psi

| Pressione max esercizio bar | Tipo Type | A | S.A.E. | B | C | D | E | F | G Viti / Bolts | | H | I | L | M | OR O-RING |
|-----------------------------|--------------|------|--------|----|----|----|----|----|----------------|-------|-----|-------|-----|------|-----------|
| | | | | | | | | | Metr. | UNC | | | | | |
| 420 | C.F.S. 401-S | 17,5 | 3/8" | 13 | 36 | 16 | 18 | 14 | M 8 | 5/16" | 57 | 40,5 | 47 | 18,2 | 4075 |
| 420 | C.F.S. 401-S | 21,6 | 1/2" | 13 | 36 | 16 | 18 | 14 | M 8 | 5/16" | 57 | 40,5 | 47 | 18,2 | 4075 |
| 420 | C.F.S. 402-S | 27,2 | 3/4" | 19 | 36 | 19 | 20 | 16 | M 10 | 3/8" | 71 | 50,8 | 53 | 23,8 | 4100 |
| 420 | C.F.S. 403-S | 34,1 | 1" | 25 | 44 | 24 | 22 | 19 | M 12 | 7/16" | 80 | 57,2 | 66 | 27,8 | 4131 |
| 420 | C.F.S. 404-S | 42,8 | 1 1/4" | 31 | 44 | 27 | 22 | 22 | M 14 | 1/2" | 94 | 66,6 | 77 | 31,8 | 4150 |
| 420 | C.F.S. 405-S | 48,6 | 1 1/2" | 38 | 51 | 30 | 24 | 24 | M 16 | 5/8" | 106 | 79,3 | 89 | 36,5 | 4187 |
| 420 | C.F.S. 406-S | 61 | 2" | 50 | 70 | 37 | 25 | 32 | M 20 | 3/4" | 135 | 96,8 | 116 | 44,5 | 4225 |
| 420 | C.F.S. 408-S | 76,6 | 2 1/2" | 63 | 75 | 45 | 28 | 40 | M 24 | - | 166 | 123,8 | 150 | 58,7 | 4275 |
| 420 | C.F.S. 410-S | 90,5 | 3" | 73 | 90 | 55 | 30 | 55 | M 30 | - | 208 | 152,4 | 178 | 71,4 | 4337 |

Per ordinazione flange: / Ordering Examples: / Pour commander brides: / Bestellbeispiel für Flansche:

Solo flangiaCFS...S
 Only flangeCFS...S
 Seulement brideCFS...S
 Nur FlanschCFS...S

Flangia completa di viti UNC, rondelle e ORCFS...S-U
 Complete flange with UNC screws, washers and o-ringCFS...S-U
 Bride complete des vis UNC, rondelles et ORCFS...S-U
 Flansch einschl. UNC-Schrauben, Federringen und O-RingCFS...S-U

Flangia completa di viti metriche, rondelle e ORCFS...S-M
 Complete flange with metrical screws, washers and o-ringCFS...S-M
 Bride complete des vis métriques, rondelles et ORCFS...S-M
 Flansch einschl. metrischen Zylinderschrauben, Federringen und O-RingCFS...S-M