

Part number:

# Pump Front Bearing

## Pump Front Bearing Series 25402 - 25602

Front bearing for pump Gr.2  
Pump side centering diam. 36,5 mm.  
Outlet centering diam. 36,5 mm.



### ORDER CODE

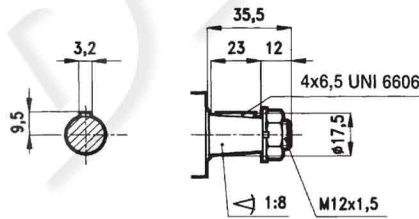
25402 -

Front bearing for pump Gr.2  
Pump side centering diam. 36,5 mm.  
Outlet centering diam. 36,5 mm.

Outlet shaft  
Tapered 1:8 - 17,5 diam. = 25402  
Parallel 18 mm. diam. = 25602

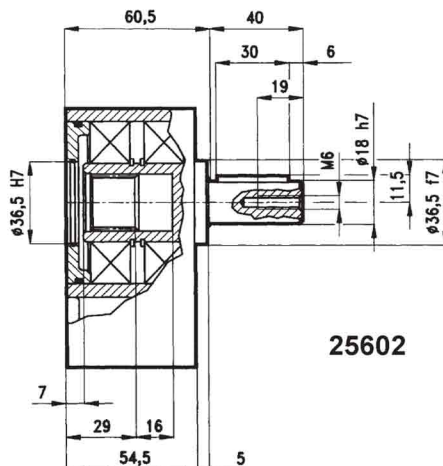
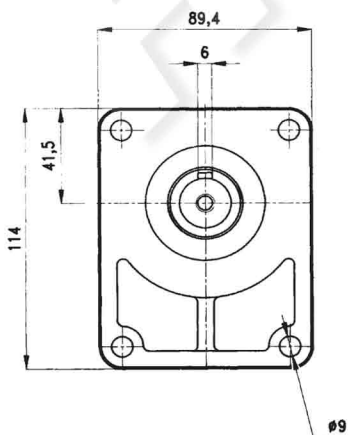
Special versions

### INSTALLATION DRAWING



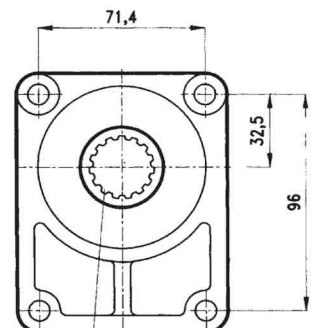
25402

170 daN.  
↘ 130 daN.



25602

110 daN.

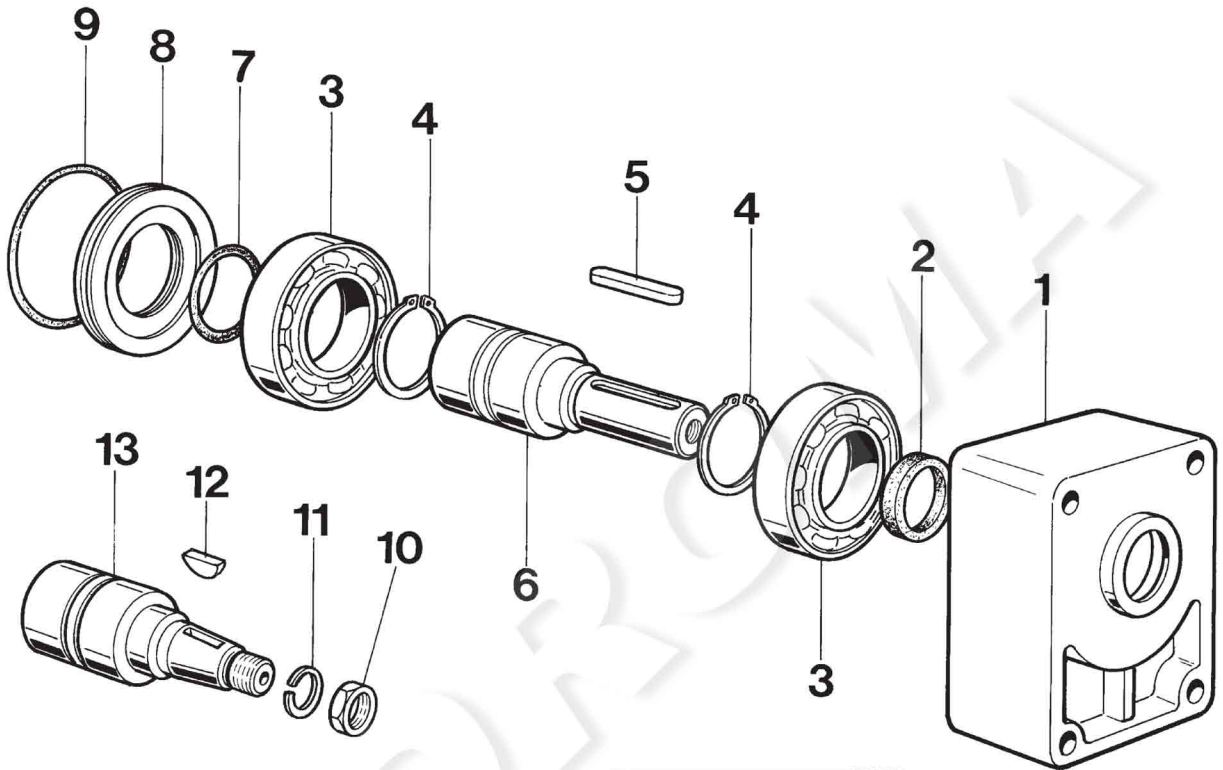


Z14 25x22 DIN5482

# Pump Front Bearing

## Pump Front Bearing Series 25402 - 25602

### SPARE PARTS LIST



Ref.	CODE	DESCRIPTION	Q.ty
1	25002/364.1	Housing	1
2	302232	Sealing Ring 22x32x7	1
3	506207/C	Bearing 6207A	2
4	903500	Snap ring UNI 7435 - 35	2
5	426630	Key 6x6x30 UNI 6604	1
6	AC18.2	Parallel shaft, d = 18mm.	1
7	403143	O-Ring 3143	1
8	25002/C.1	Ring d=72	1
9	403262	O-Ring 3262	1
10	601215	Nut UNI 28675 M12x1.5	1
11	801200	Washer Grower d.12	1
12	700465	Key 3.2x6.5 UNI 6606	1
13	ACO2	Tapered shaft	1