

Part number:

HYDROMA

HYDRAULICKÉ SYSTÉMY

**HIDROMA
SISTEMS**

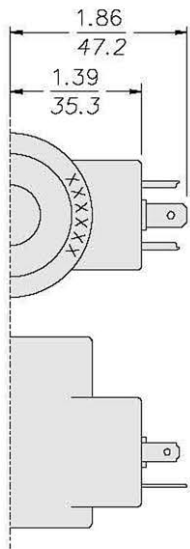
UKŁADY HYDRAULICZNE

HYDROMA

ГИДРАВЛИЧЕСКИЕ СИСТЕМЫ

Standard Coils and Proportional Valve Coils

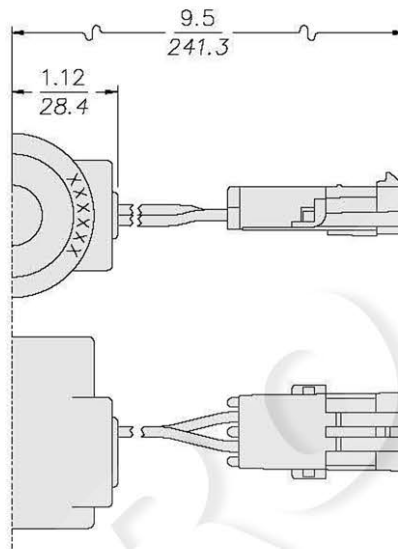
SERIES 10, 12, 16, 38, 58 COIL INFORMATION



G

**DIN 43650
Connector**

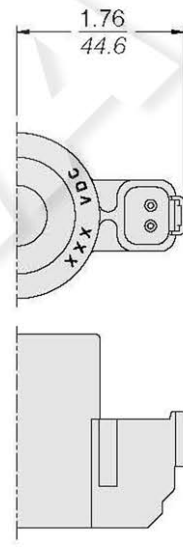
INCH
MILLIMETRE



W

**Dual 18 Gauge Leads with
Weather Pack® Connector**

For use with Packard part no. 12015792
male plug



DR

**Integral Deutsch
Connector**

DR Models without Diode
DR/D Models with Diode
DR/Z Models with Zener Diode

Mating Connector:
Deutsch No. DT06-2S
HF Part No. 4001417

Voltage	Part Number Suffix				
	G	W	DR	DR/D	DR/Z
10 VDC		6359410			
12 VDC	6356012	6359412	4301612	4301892	4301862
24 VDC	6356024	6359424	4301624	4301894	4301864
36 VDC	6356036	6359436			
48 VDC	6356048	6359448			
*24 VAC	6366024				
*115 VAC	6366115				
*230 VAC	6366230				

*Rectified

Coil Weight: 270 g. (9.6 oz.)