

Part number:

006-11422

HYDROMA

HYDRAULICKÉ SYSTÉMY

HIDROMA
SYSTEMS

UKŁADY HYDRAULICZNE

HYDROMA

ГИДРАВЛИЧЕСКИЕ СИСТЕМЫ

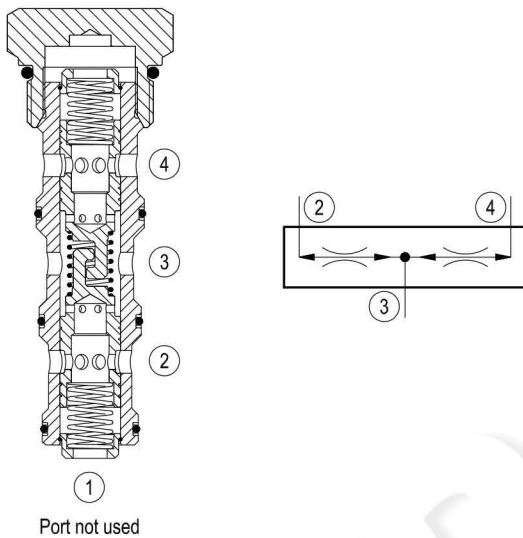
RE 18321-25/09.09 1/2
Replaces: RE 00162-02/01.06

Flow divider and combiner

Common cavity, Size 16

DRFN-16A

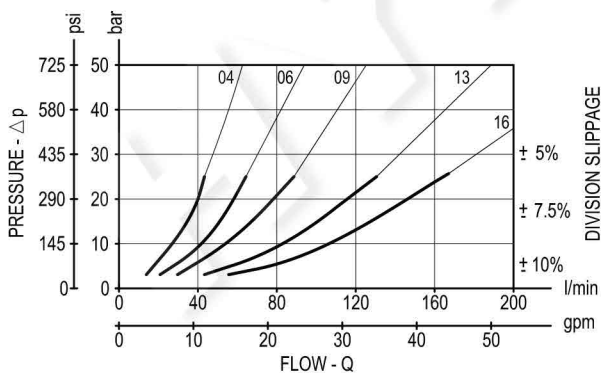
04.05.02.00.27 - Z



Description

Input flow at 3 will be divided and output equally to 2 and 4 independent of system pressures. Flow input at 2 and 4 will be combined and output at 3. Should either 2 or 4 become blocked in flow division mode, approximately 5% of the input flow will be transmitted to the open port.

Performance



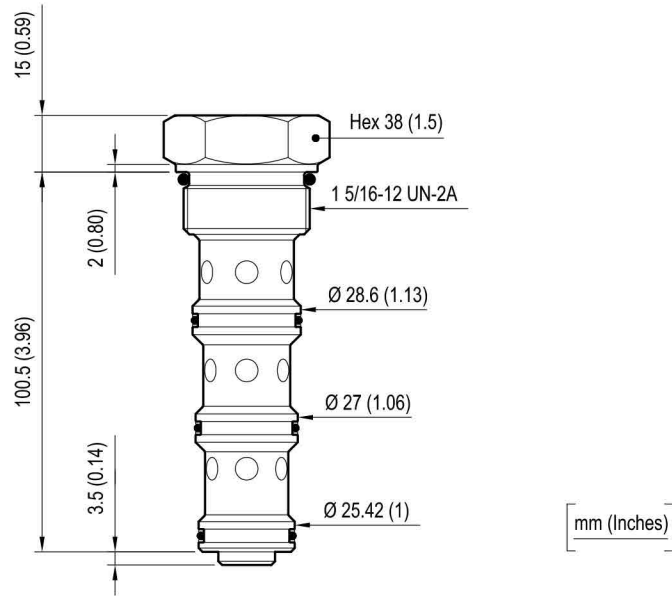
Technical data

Pressure min-max	bar (psi)	10-350 (145-5000)
Flow range	l/min. (gpm)	See "Range of total flow" table
Fluid temperature range	°C (°F)	-30 to 100 (-22 to 212)
Installation torque	Nm (ft-lbs)	108-122 (80-90)
Division or combination ratio		50% - 50%
Weight	kg (lbs)	0.41 (0.9)
Cavity		CA-16A-4N see data sheet RE 18325-70
Seal kit (*)	code material no.	RG16A4010530100 R930000973
Fluids		Mineral-based or synthetics with lubricating properties at viscosities of 10 to 500 mm ² /s (cSt)
Filtration		Nominal value max. 10µm (NAS 8) ISO 4406 19/17/14
Installation		No restrictions
Other Technical Data		See data sheet RE 18350-50

(*) Only external seals for 10 valves

Slippage (tolerance) from theoretical divided flows: ±5% to ±10%, depending from inlet flow (see diagram).
N.B. Slippage is lowest toward upper limit of nominal range.

Dimensions



Ordering code

04.05.02.00	27	Z	00	*
-------------	----	---	----	---

Flow divider and combiner

Common cavity, Size 16

Series O/A to L
unchanged performances and dimensions

Version and options standard

	Range of total flow l/min. (gpm)
= 04	15-44 (3.96-11.63)
= 06	22-66 (5.81-17.44)
= 09	30-80 (7.93-21.14)
= 13	44-132 (11.63-34.88)
= 16	55-165 (14.53-43.59)

Type	Material number
040502002704000	R901096089
040502002706000	R901096090
040502002709000	R901096091
040502002713000	R901096092
040502002716000	R901096093

Type	Material number