


Warning !
Sections of driveline marked  are not shielded and must be shielded by an interactive guarding system.
COMER spa declines responsibility if proper guards are not provided or maintained.

Notes:

 **CERTIFIED**

End fittings

Tractor	Cod: C12	Max. torque	-
Implement	Cod: R12	3800 Nm - 33652 in.lb.	



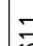
Features	
Series:	T
Type:	20
Code:	07.255.001.10
Description:	T200610ENC12R12
Customer's code:	-
Colour:	Yellow

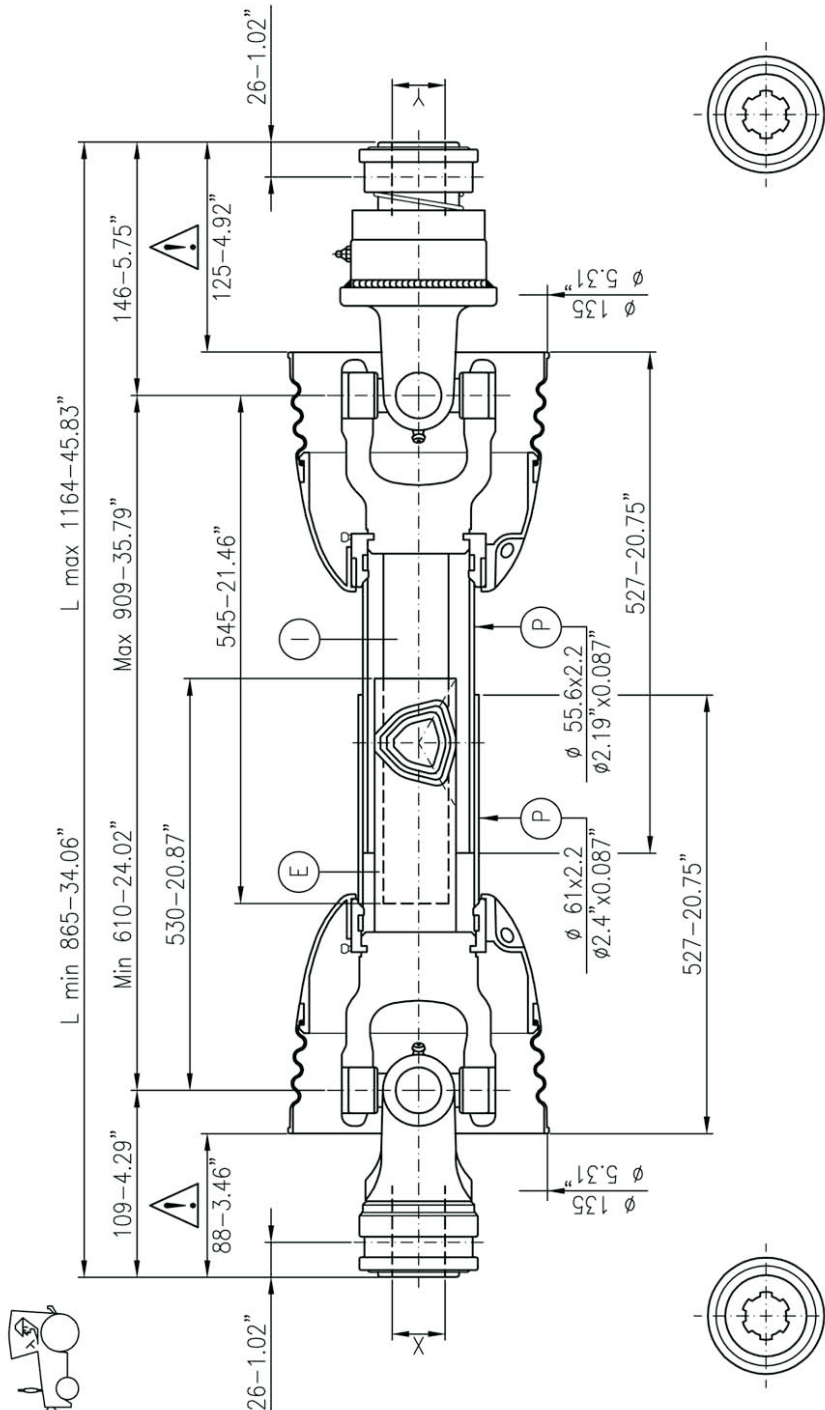
Last drawing	
Index: -	Date: -
Application	
Driveline data	
X	1 3/8" Z6 DIN 9611
Y	1 3/8" Z6 DIN 9611
E	485-19.09"
I	500-19.69"
P	420-16.54"

Overlap	
Steel tubes	Guard
Max. 465-18.31"	400-15.75"
Min. 166-6.54"	101-3.98"

Greasing point	
1)	-
2)	-

The dimensioning is cross to cross

Cross and tubes	
23.8 	61.3
	36x3.2
	29x4



Data 540 r.p.m.	
KW	23
CV	31
Nm	220
in.lb.	1950

Data 1000 r.p.m.	
KW	23
CV	31
Nm	220
in.lb.	1950

Data for only critical velocity	
540 r.p.m.	1000 r.p.m.
Max.	Max.
L max.	L max.

Customer:	---
Checked:	Signed by: F.L.
Date:	