

Part number:

HYDROMA

HYDRAULICKÉ SYSTÉMY

HIDROMA
SISTEMS

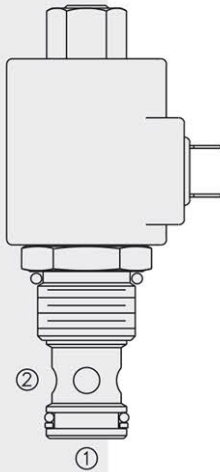
UKŁADY HYDRAULICZNE

HYDROMA

ГИДРАВЛИЧЕСКИЕ СИСТЕМЫ

SOLENOID VALVES

SV12-23 Poppet, 2-Way, Normally Open



DESCRIPTION

A solenoid-operated, two-way, normally open, poppet-type, screw-in hydraulic cartridge valve, designed to function as a load holding or blocking valve in applications requiring low internal leakage.

OPERATION

When de-energized, the **SV12-23** allows bidirectional flow from 2 to 1. With the sensor option, the neutral sensor will signal OFF or LOW.

When energized, the valve's poppet closes to block flow from 2 to 1. In this mode, the cartridge allows free reverse flow from 1 to 2 after overcoming the solenoid force (requires 3.4 to 10.3 bar / 50 to 150 psi). With the sensor option, the neutral sensor will signal ON or HIGH.

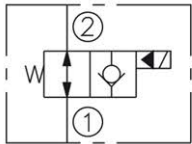
Operation of Manual Override Option: To override, push and hold override button.

FEATURES

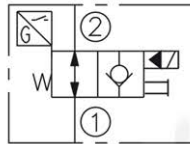
- Continuous-duty rated solenoid.
- Hardened seat for long life and low leakage.
- Optional coil voltages and terminations.
- Efficient wet-armature construction.
- Cartridges are voltage interchangeable.
- Optional waterproof E-Coils rated up to IP69K.
- Unitized, molded coil design.
- Manual override option.
- Cost effective cavity.

SYMBOLS

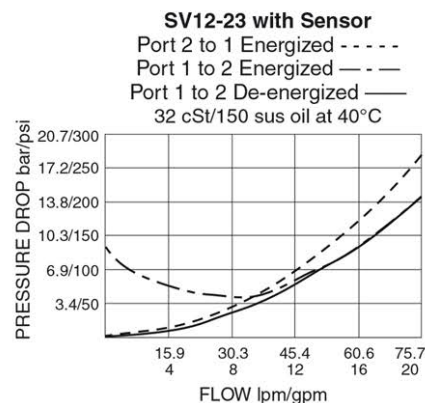
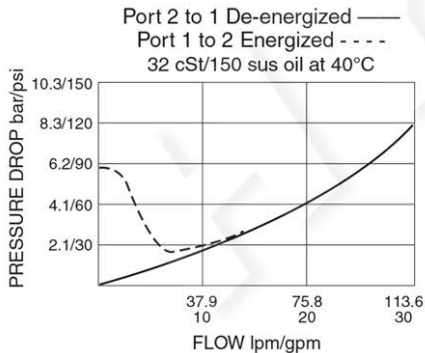
ISO:



with Sensor:



PERFORMANCE (Cartridge Only)



RATINGS

Operating Pressure: 240 bar (3500 psi)

Flow: See Performance Chart

Internal Leakage: 0.15 cc/minute (3 drops/minute) max. at 240 bar (3500 psi)

Temperature: with standard Buna N seals: -40 to 100°C (-40° to 212°F);
with Fluorocarbon seals: -26 to 204°C (-15°F to 400°F);
Sensor Option: -40°C to 110°C (-40°F to 230°F)

Coil Duty Rating: Continuous from 85% to 115% of nominal voltage

Response Time: First indication of change of state with 100% voltage supplied at 80% of nominal flow rating: Energized: 80 msec.; De-energized: 30 msec.
Response Time with Sensor: 158 ms pull-in, 57 ms drop-out

Initial Coil Current Draw at 20°C: Standard Coil: 1.67 amps at 12 VDC;
0.18 amps at 115 VAC (full wave rectified).
E-Coil: 1.7 amps at 12 VDC; 0.85 amps at 24 VDC

Minimum Pull-in Voltage: 85% of nominal at 207 bar (3000 psi)

Filtration: See page 9.010.1

Fluids: Mineral-based or synthetics with lubricating properties at viscosities of 7.4 to 420 cSt (50 to 2000 sus); See Temperature and Oil Viscosity, page 9.060.1

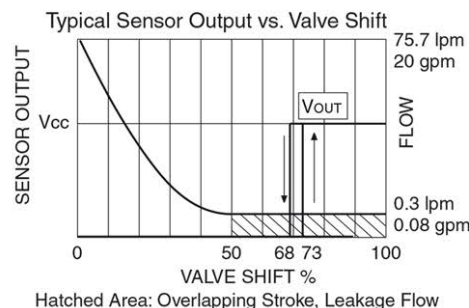
Installation: No restrictions; See page 9.020.1

Cavity: VC12-2; See page 9.112.1

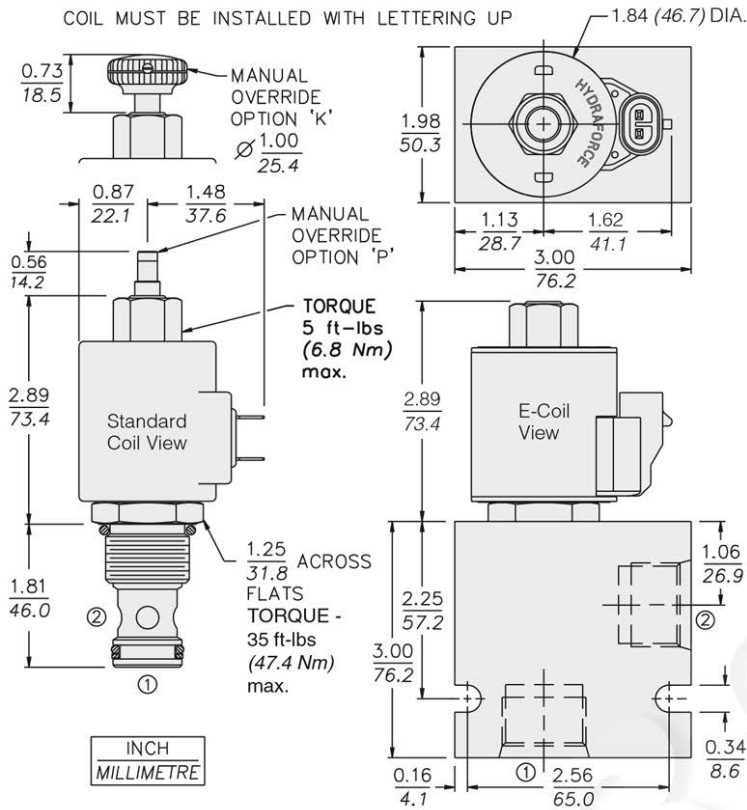
Cavity Tool: CT12-2XX; See page 8.600.1

Seal Kit: SK12-2X-T; See page 8.650.1

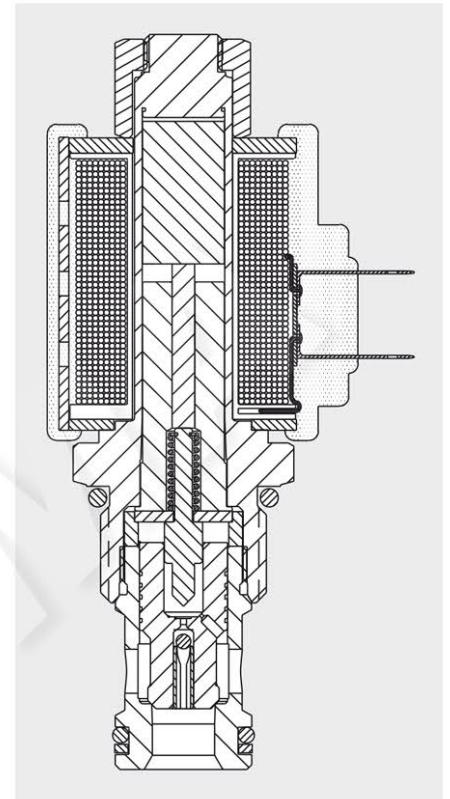
Coil Nut: Part No. 7004420



DIMENSIONS



Dimensions will differ significantly with Sensor Option; see page 3.010.1.



MATERIALS

Cartridge: Weight: 0.25 kg. (0.55 lbs.); Weight with Sensor option: 0.50 kg. (1.1 lbs.); Steel with hardened work surfaces. Zinc-plated exposed surfaces. Buna N O-rings and polyester elastomer back-up standard.

Standard Ported Body: Weight: 0.57kg. (1.25 lbs.); Anodized high-strength 6061 T6 aluminum alloy, rated to 207 bar (3000 psi). Ductile iron bodies available; dimensions may differ. See page 8.012.1.

D-Coil: Weight: 0.27 kg. (0.60 lbs.); Unitized thermo-plastic encapsulated, Class H high temperature magnetwire. See page 3.200.1.

E-Coil: Weight: 0.41 kg. (0.9 lbs.); Fully encapsulated with rugged external metal shell. Rated up to IP69K with integral connectors. See page 3.400.1.

TO ORDER

SV12-(P)23(A)

With sensor option, use model code SV12-P23A . . . See page 3.010.1

Without sensor option, use model code SV12-23 . . .

Option

None (Blank)
 Manual Override **P**
 Manual Override **K**

For Manual Override options see page 1.001.1

Porting

Cartridge Only **0**
 SAE 6 **10T**
 SAE 8 **12T**
 SAE 16 **16T**
 3/4 in. BSP* **6B**
 1 in. BSP* **8B**

*BSP Body; U.K. Mfr. Only

Voltage Std. Coil

0 Less Coil**
10 10 VDC†
12 12 VDC
24 24 VDC
36 36 VDC
48 48 VDC
24 24 VAC
115 115 VAC
230 230 VAC

**Includes D-Coil Nut
 † DS, DW or DL terminations only

E-Coils: 10, 12, 20 or 24 VDC only.

Seals

N Buna N (Std.)
V Fluorocarbon

- Sensor Option: See page 3.010.1

Sensor Type

3 Dual Output, N.C./N.O

Sensor/Connector

N Neutral Sense/DT04-4P
M Neutral Sense/M12-4P

Mating Connectors:

DT06-4S: Part No. 4001953
 M12-4S: available at www.turck.com or www.binder-usa.com

Coil Termination

Deutsch DT04-2P
 Metri-Pack® 150
 Dual Lead Wires
 Amp Jr. Timer
 DIN 43650
 Dual Spades

E-Coil

ER (IP69K)
EY (IP69K)
EL (IP69K)
EJ (IP67)
EG (IP65)

D-Coil

DR (IP65)
DY (IP65)
DL (IP65)
DG (IP65)
DS (IP65)

For Coils with Zener Diode, add "Z" to option code. For example: "ER/Z". Not available on all models. See coil option info. on pages 3.200.1 & 3.400.1