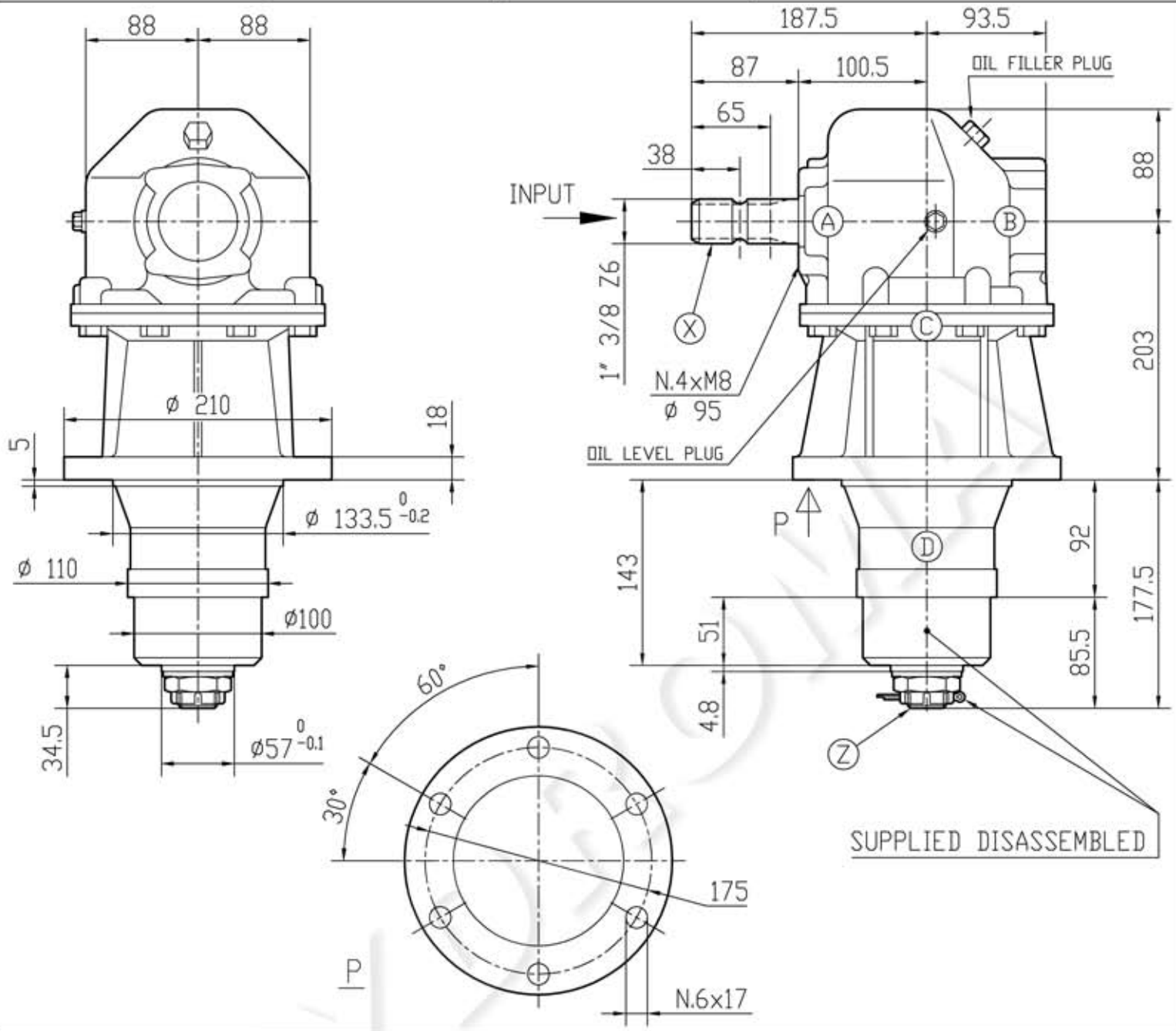


REF.	DESIGNATION
DATE	CODE
19-03-2008	LF-32 A 9.132.002.20



SPEED INCREASING UNIT	Ratio <i>i</i>		Rated input r.p.m.		Rated input power HP kW		Rated output torque da Nm		Weight Kg		Oil <input checked="" type="checkbox"/> Grease <input type="checkbox"/> Type Quantity Lt.											
	1 : 1.5		540		60 44.1		50.4		30		SAE.90EP 1.8											
	Gear Arrangement		Bevel couplings					Cylindrical couplings					Bearings									
			Helicoidal		Straight		Teeth number		Module		Helicoidal		Straight		Teeth number		Module		A		30208	
							Z 1 Z 2 Z 3 Z 4		M.						Z 1 Z 2 Z 3 Z 4		M.		B		6208	
					✱		14 21		5.7										C		30210	
																			D		30210	
																			E			
																			F			
																			G			
																		H				
Components material																						
Casing			Shaft X			Shaft Z			Bevel gear			Spur gear										
GS 400/12 UNI 4544			20 MnCr5			20 CrNi4			Z14=20 CrNi4 Z21=20 MnCr5													