

Part number:

HYDROMA

HYDRAULICKÉ SYSTÉMY

**HIDROMA
SYSTEMS**

UKŁADY HYDRAULICZNE

HYDROMA

ГИДРАВЛИЧЕСКИЕ СИСТЕМЫ

**PRESA DI FORZA A COMANDO
PNEUMATICO**

"POWER-TRUCK"

PNEUMATIC CLUTCH POWER TAKE-OFF

CODICE PTO
PTO CODE

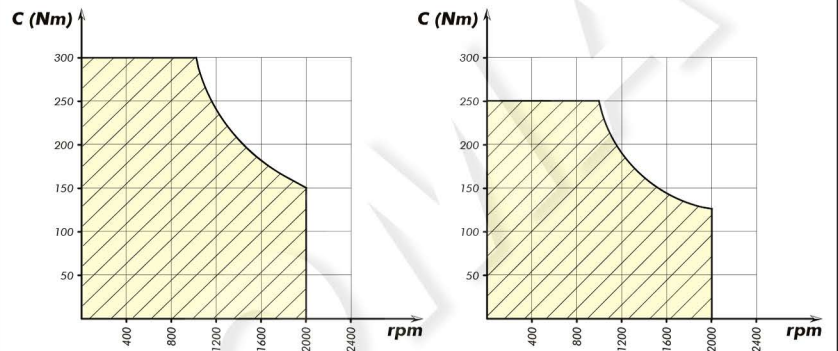
2-111/112/113

CAMBIO
GEARBOX

IVECO 2845.6
2855.5 2855.6

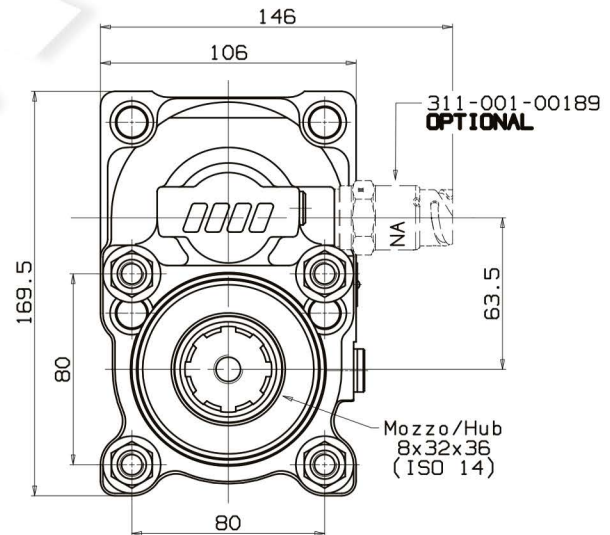
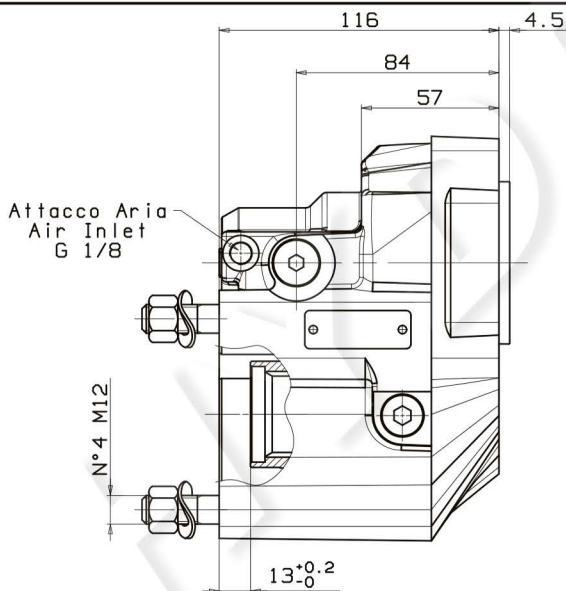


DIAGRAMMA DI UTILIZZO
WORKING CONDITION



002-111-00172

002-112-00171
002-113-00170



| Tipo cambio Gearbox | Codice PTO PTO code | Versione Version | Rapporto interno Internal ratio | Giri pto a 1000 giri motore Pto ratio@1000 eng.rpm rpm | Coppia massima Max torque Nm | Lato montaggio Mounting side | Uscita Output | Rotazione Rotation | Kit di montaggio Mounting kit | Peso Weight Kg |
|-------------------------------|------------------------|---------------------|------------------------------------|---|---------------------------------------|------------------------------------|------------------|-----------------------|--|----------------------|
| IVECO 2845.6 2855.5 2855.6 | 2-111-172 | 17 | 1:1,81 | Vedi indice See index | 300 | Poster. Rear | Poster. Rear | Ant. Acw | 154-3-4570 | 8 |
| | 2-112-171 | | 1:1,53 | | | | | | | |
| | 2-113-170 | | 1:1,31 | | | | | | | |