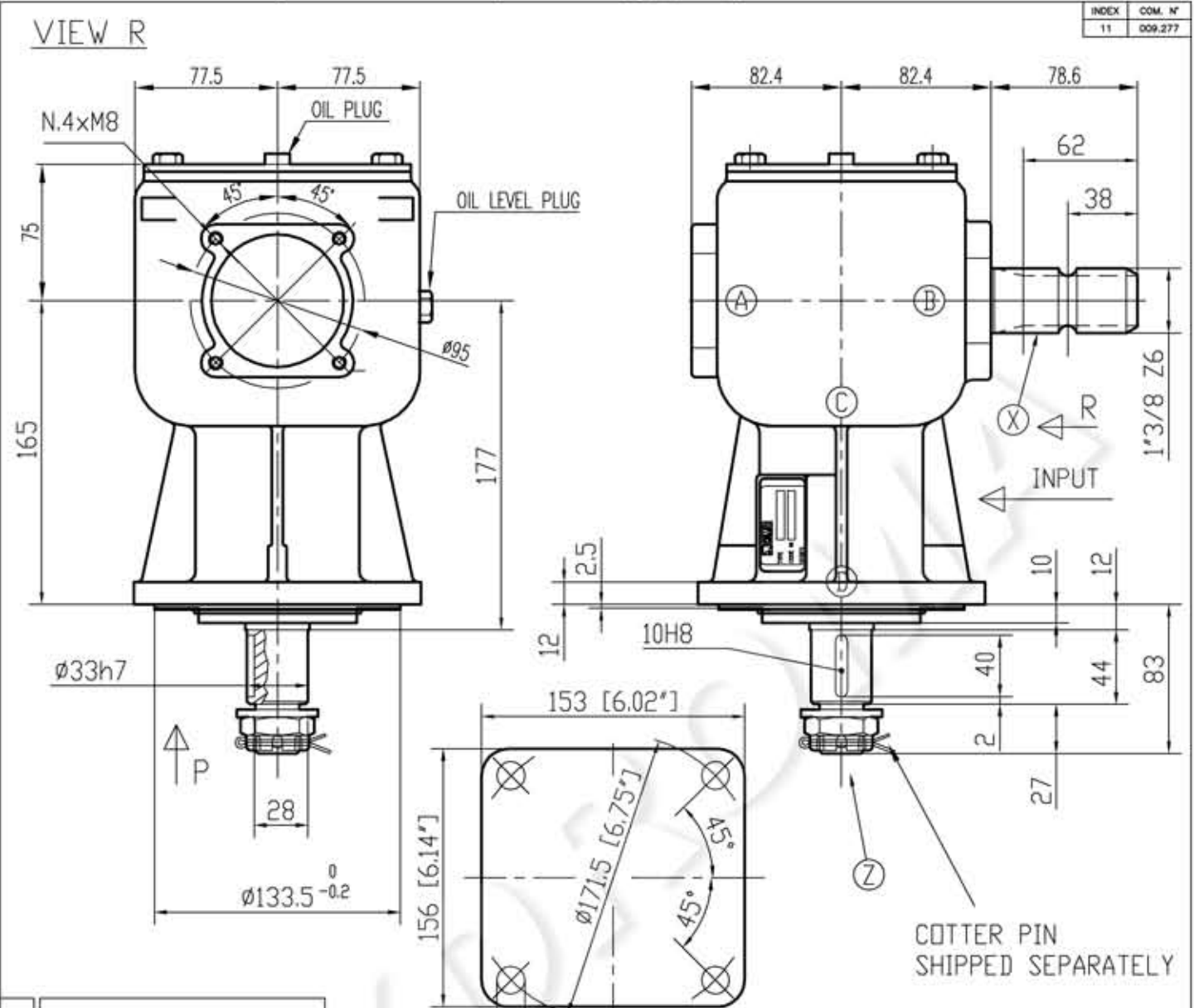
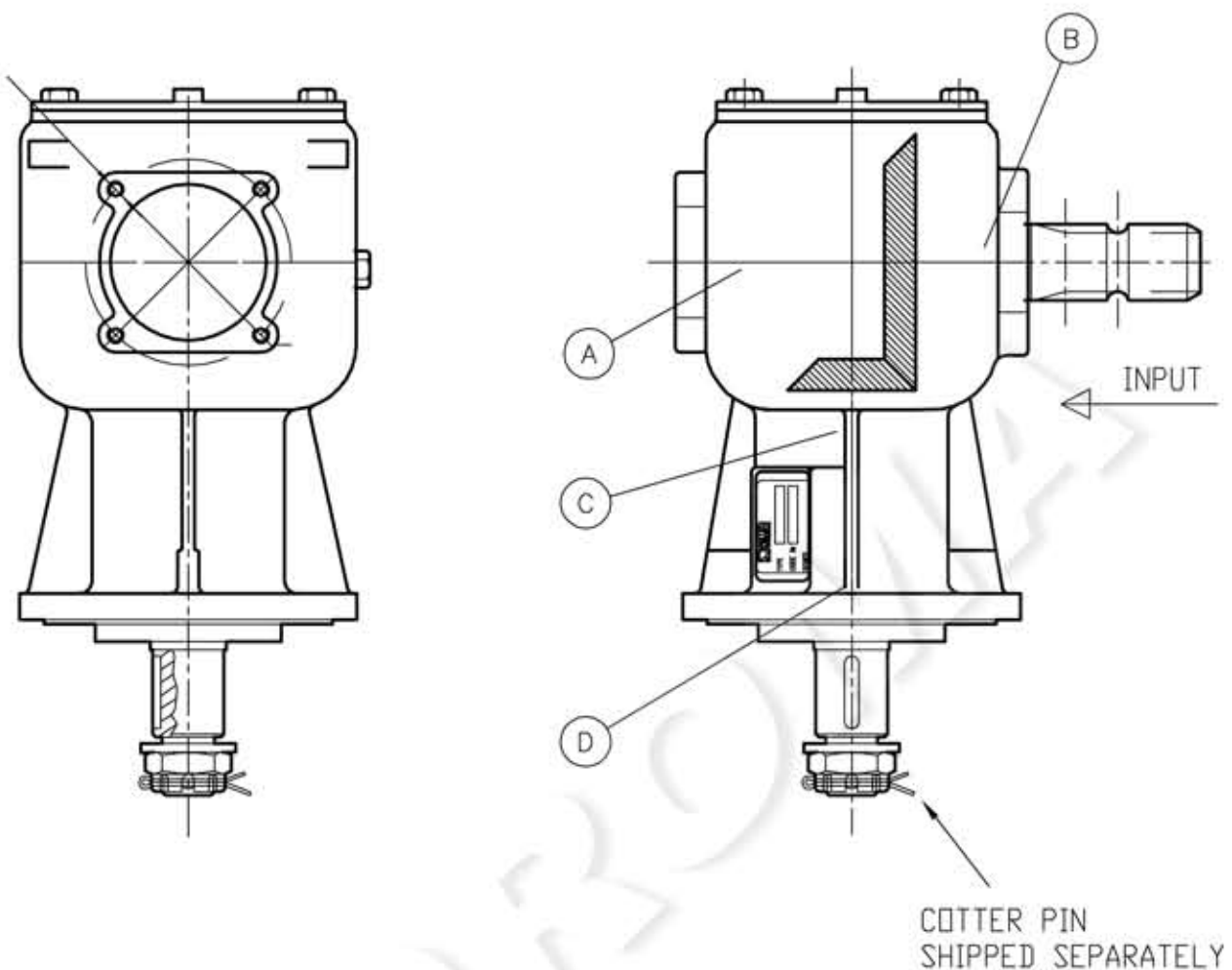


RIF.	INDEX	COM. N°		
	11	009.277		
RATIO	FIG. MONT.	COD.LETT.	LF-211 J	CODE
1:2.83	21	COD.NUM.	211	9.211.802.10

REF.	DESIGNATION	LF - 211 J
DATE	17/jan/03	CODE 9.211.802.10

INDEX	COM. N°
11	009.277



NOTE DI MONTAGGIO

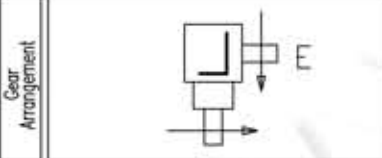
- GIOCO DI INGRANAMENTO
- GIOCO ASSIALE DI E.
- PRECARICO ASSE DI U.
- GRASSO AL BISOLFURO DI MOLIBDENO
- PARTICOLARI SMONTATI COD. A.108.012
- NEBULIZZARE ALL' INTERNO DELLA SCATOLA CON "NUCLEOIL 10" COME ULTIMA OPERAZIONE, POI CHIUDERE CON TAPPO IN POS. -7-.
- IL PARAOLIO IN POS. "B" DEVE ESSERE MONTATO PARI AL PIANO DELLA SCATOLA
- IN POSIZIONE "25" MONTARE UN SOLO SPESSORE (SPESSORE UNICO)

ASSEMBLY NOTES

- GEARS BACKLASH
- INPUT SHAFT AXIAL CLEARANCE
- OUTPUT SHAFT BEARINGS PRELOAD
- BISULPHIDE MOLYBDENUM GREASE
- NOT ASSEMBLED PARTS COD. A.108.012
- SPRAY "NUCLEOIL 10" INSIDE THE HOUSING AS LAST OPERATION, THEN CLOSE THE PLUG IN POS. -7-.
- THE OIL SEAL IN POS. "B" MUST BE ASSEMBLED ON THE SAME LEVEL WITH THE PLANE CASING.
- IN POSITION "25" ASSEMBLY ONLY ONE SHIM (UNIQUE SHIM)

0.10 ÷ 0.27 mm
0 ÷ 0.2 mm
0 ÷ 3 kgcm
POS. -15-

SPES. TEORICA IN:	(A) 0.9 mm.	(C) 0.8 mm.
	(B) 0.9 mm.	(D) 0.8 mm.



Ratio	Rated Input rpm.	Rated Input Power		Rated Output torque da Nm	Weight Kg	Grease Type	Lubricant Quantity Kg
		C.V.	KW.				
i 1 : 2.83	540	20	14.7	8.9	14	SAE.90EP	0.5

Bevel Couplings						Cylindrical Couplings						Bearings			
Helicoid	Straight	Teeth Number				Module	Helicoid	Straight	Teeth Number				Module	A	B
		Z1	Z2	Z3	Z4				Z1	Z2	Z3	Z4			
	X	12	34			3.36								C	6207
														D	6207
														E	

Components Material				
Casing	Shaft X	Shaft Z	Bevel Gear	Spur Gear
ASTM 60-40-18	AISI 1040	AISI 3120	AISI 3120	

RIF.		INDEX	COM. N°
		11	009.277
RATIO	FIG. MONT.	COD.LETT.	CODE
1:2.83	21	LF-211 J	9.211.802.10
POS.	DRG. Nr.	PCS.	DESCRIPTION
1	0.141.2101.00	1	INPUT SHAFT 1 3/8" Z6
2	8.7.3.00055	1	OIL SEAL (35X72X10)
3	8.0.1.00870	3	BALL BEARING 6207 (35x72x17)
4	0.259.7500.00	1	SHIM KIT (35.3X48)
5	8.4.1.00993	1	PARALLEL KEY B 10X8X30
6	0.133.5000.00	1	CROWN GEAR Z34 M3.36
7	8.6.5.00006	2	3/8" GAS SOLID PLUG
8	8.5.2.00648	1	SNAP RING (62x65x3, for Holes)
9	0.113.7500.00	1	SHIM KIT (55.3x61.7)
10	8.1.1.00054	4	BOLT M10X20 HHB (8.8)
11	0.205.1300.00	1	COVER
12	8.0.1.00001	1	BALL BEARING 6305 (25x62x17)
13	0.141.6002.00	1	OUTPUT SHAFT
14	0.141.7100.00	1	SPACER 64X70X59.7
15	8.7.1.00152	1	DOUBLE LIP SEAL 35X72X10
16	8.5.3.00915	1	SNAP RING SB 72
17	8.2.2.01144	1	CASTLE NUT M24X2 PR80B
18	8.3.2.00409	1	FLAT WASHER 25X44X4
19	8.5.1.00005	1	SNAP RING (33x35x1.5 for Shaft)
20	8.5.2.00131	2	SNAP RING (72x75x2.5 for Holes)
21	0.211.0300.00	1	CASING
22	0.124.7135.00	1	PLATE
23	0.248.7500.00	1	SHIM KIT (60.3x71.7)
24	8.7.0.01359	1	OIL CAP (62x7)
25	0.259.7500.00	1	SHIM KIT (35.3X48)

A.108.012			
POS.	DRG. Nr.	PCS.	DESCRIPTION
251	8.4.7.00516	1	COTTER PIN B5X50

REF.	DESIGNATION
	LF-211 J
DATE	CODE
17/jan/03	9.211.802.10
INDEX	COM. N°
11	009.277

