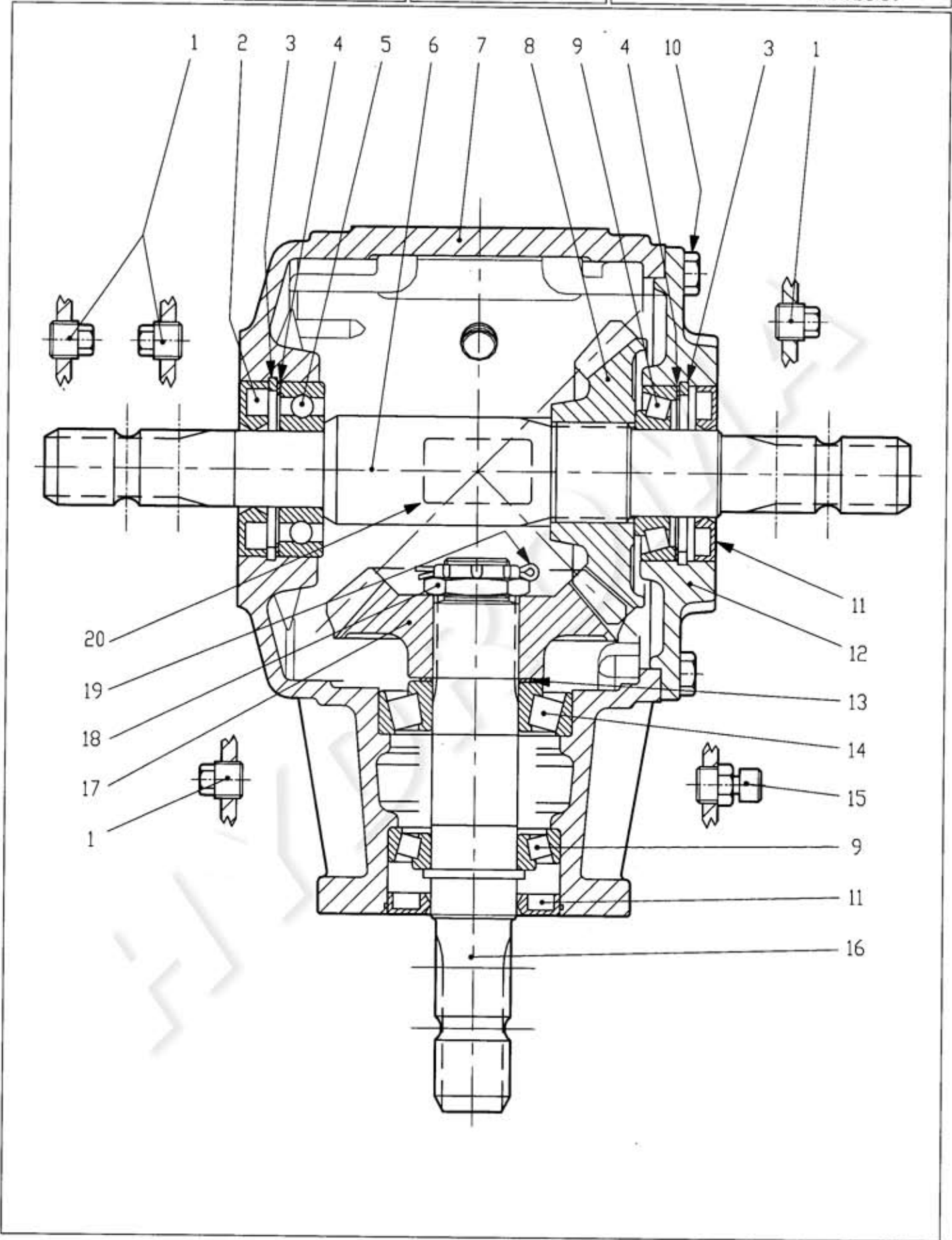


COMPANY	REF.	DESIGNATION
	DATE	CODE
	29-01-99	T-290 H 290.026.50



DESIGNATION

GEAR BOX

TV-290H

CODE N°

9.290.026.50

POS.	DRG. N.	PIEC	DESCRIPTION
1	8.6.5.00006	4	PLUG 3/8"GAS
2	8.7.3.00081	1	OIL SEAL 35X80X10
3	8.5.2.01370	2	SNAP RING 80 UNI7438
4	0.267.7500.00	2	SHIM 79.9
5	8.0.1.00049	1	BEARING 6307
6	0.158.2001.00	1	SHAFT 1"3/8-1"3/8
7	0.290.0308.00	1	CASING
8	0.290.6201.00	1	CROWN WHEEL Z.21 M.6.45
9	8.0.9.00024	2	BEARING 30208
10	8.1.1.00061	8	BOLT M10X25 8,8
11	8.7.3.00027	2	OIL SEAL 40X80X10
12	0.290.1367.00	1	COVER
13	0.244.7500.00	1	SHIM 51.5
14	8.0.9.00128	1	BEARING 30308
15	8.6.7.00161	1	OIL FILLER PLUG 3/8"GAS
16	0.290.2001.00	1	SHAFT
17	0.290.5201.00	1	CROWN WHEEL Z.21 M.6.45
18	0.132.7106.00	1	NUT M30X1.5
19	8.4.7.01111	1	COTTER PIN B4X55
20	0.124.7101.00	1	PLATE