

Part number:

**HYDROMA**

HYDRAULICKÉ SYSTÉMY

**HIDROMA  
SYSTEMS**

UKŁADY HYDRAULICZNE

**HYDROMA**

ГИДРАВЛИЧЕСКИЕ СИСТЕМЫ

# FTA - FTR



FT flanges make it possible to fix suction and return lines on the reservoir cover.  
Fitting a flexible insert allows separation of pipes. Both rigid pipes and flexible hoses can be separated from the reservoir walls, absorbing vibration and reducing plant noise emissions.

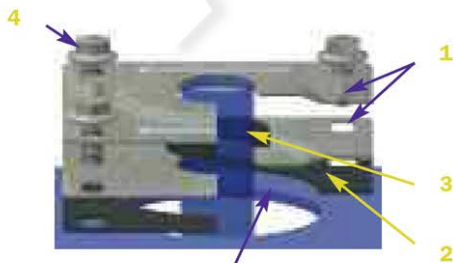
### Temperature

- from -25 °C to +100 °C

### Compatibility

- NBR seals and Cork Gasket, compatible with:  
Mineral oils to ISO 2943 - aqueous emulsions  
Synthetic fluids, glycol water.

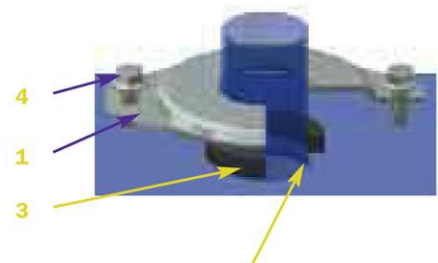
### FTA



Drill the panel:

Ø 105 for types from 1215 ÷ 3842  
Ø 145 for types from 4850 ÷ 8789

### FTR



Drill the panel max 2 mm more than the pipe Ø

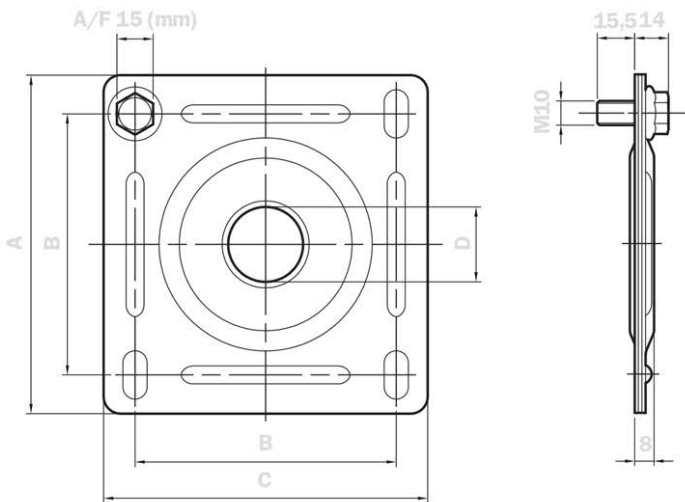
### FTA - FTR (Materials)

- 1 - Flange: Galvanised Steel
- 2 - Flange seal: Inorganic fibre
- 3 - Tube seal: NBR
- 4 - Screw: Galvanised Steel

- 1 - Flexible element
- 2 - Seal

# Dimensions

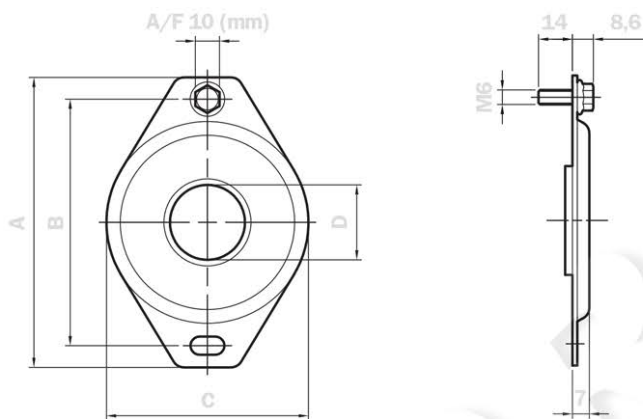
## FTA



|          |     |     |     |       | Weight (Kg) |
|----------|-----|-----|-----|-------|-------------|
| FTA 1215 | 140 | 108 | 134 | 12+15 | 0,590       |
|          |     |     |     |       | 0,570       |
| FTA 2225 | 140 | 108 | 134 | 22+25 | 0,550       |
|          |     |     |     |       | 0,530       |
| FTA 3235 | 140 | 108 | 134 | 32+35 | 0,500       |
|          |     |     |     |       | 0,520       |
| FTA 4850 | 190 | 159 | 184 | 48+50 | 0,920       |
|          |     |     |     |       | 0,900       |
| FTA 7577 | 190 | 159 | 184 | 75+77 | 0,860       |
|          |     |     |     |       | 0,830       |

N.B. Tightening torque MAX 20 Nm.

## FTR



|          |     |     |      |       |       |
|----------|-----|-----|------|-------|-------|
| FTR 0610 | 71  | 54  | 39,5 | 6+10  | 0,045 |
| FTR 1620 | 71  | 54  | 39,5 | 16+20 | 0,040 |
| FTR 2630 | 120 | 102 | 83,5 | 26+30 | 0,103 |
| FTR 3842 | 120 | 102 | 83,5 | 38+42 | 0,095 |
| FTR 6061 | 120 | 102 | 83,5 | 60+61 | 0,085 |

N.B. Tightening torque MAX 20 Nm.

# Ordering information

### Suction line flange

FTA

Example: FTA

| 1                        | 2                        | 3                        | 4                        |
|--------------------------|--------------------------|--------------------------|--------------------------|
| <input type="checkbox"/> | <input type="checkbox"/> | <input type="checkbox"/> | <input type="checkbox"/> |
| 2630                     | G                        | A                        | P01                      |

#### 1 - Size

|      | Ø Pipe Min - Max |
|------|------------------|
| 1215 | 12 - 15          |
| 1620 | 16 - 20          |
| 2225 | 22 - 25          |
| 2630 | 26 - 30          |
| 3235 | 32 - 35          |
| 3842 | 38 - 42          |
| 4850 | 48 - 50          |
| 6061 | 60 - 61          |
| 7577 | 75 - 77          |
| 8789 | 87 - 89          |

#### 2 - Flange seal

G Inorganic fibre

#### 3 - Pipe seal

A NBR

#### 4 - Options

P01 MP Filtri standard

### Return line flange

FTR

Example: FTA

| 1                        | 2                        | 3                        | 4                        |
|--------------------------|--------------------------|--------------------------|--------------------------|
| <input type="checkbox"/> | <input type="checkbox"/> | <input type="checkbox"/> | <input type="checkbox"/> |
| 2630                     | 0                        | A                        | P01                      |

#### 1 - Size

|      | Ø Pipe Min - Max |
|------|------------------|
| 0610 | 6 - 10           |
| 1215 | 12 - 15          |
| 1620 | 16 - 20          |
| 2225 | 22 - 25          |
| 2630 | 26 - 30          |
| 3235 | 32 - 35          |
| 3842 | 38 - 42          |
| 4850 | 48 - 50          |
| 6061 | 60 - 61          |

#### 2 - Flange seal

0 Without

#### 3 - Pipe seal

A NBR

#### 4 - Options

P01 MP Filtri standard