

Part number:

HYDROMA

HYDRAULICKÉ SYSTÉMY

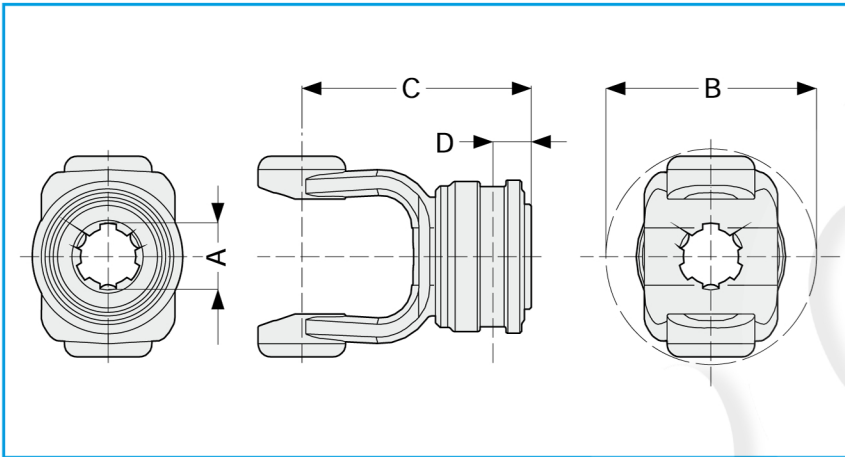
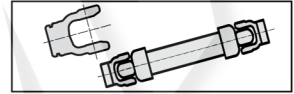
**HIDROMA
SYSTEMS**

UKŁADY HYDRAULICZNE

HYDROMA

ГИДРАВЛИЧЕСКИЕ СИСТЕМЫ

**COLLARE
COLLAR**



Type	Ref.	A	B		C		D		Code
			[mm]	[inch]	[mm]	[inch]	[mm]	[inch]	
10	C12	1 3/8" Z 6	73	2 7/8"	102	4.02"	26	1 1/32"	141.021.319.1
	C13	1 3/8" Z 21	73	2 7/8"	102	4.02"	26	1 1/32"	141.021.320.1
20	C12	1 3/8" Z 6	80	3 5/32"	109	4 19/64"	26	1 1/32"	141.022.324.1
	C13	1 3/8" Z 21	80	3 5/32"	109	4 19/64"	26	1 1/32"	141.022.327.1
40	C12	1 3/8" Z 6	94	3 45/64"	111	4 3/8"	26	1 1/32"	141.024.430.1
	C13	1 3/8" Z 21	94	3 45/64"	111	4 3/8"	26	1 1/32"	141.024.437.1
50	C12	1 3/8" Z 6	100	3 15/16"	117	4 39/64"	26	1 1/32"	141.025.363.1
	C13	1 3/8" Z 21	100	3 15/16"	117	4 39/64"	26	1 1/32"	141.025.364.1
60	C12	1 3/8" Z 6	115	4 17/32"	123	4 27/32"	26	1 1/32"	141.026.544.1
	C13	1 3/8" Z 21	115	4 17/32"	123	4 27/32"	26	1 1/32"	141.026.553.1
	C17	1 3/4" Z 6	115	4 17/32"	131	5 5/32"	29.5	1 5/32"	141.026.554.1
	C15	1 3/4" Z 20	115	4 17/32"	131	5 5/32"	29.5	1 5/32"	141.026.555.1
80	C12	1 3/8" Z 6	132	5 13/64"	137	5 25/64"	26	1 1/32"	141.028.423.1
	C13	1 3/8" Z 21	132	5 13/64"	137	5 25/64"	26	1 1/32"	141.028.426.1
	C17	1 3/4" Z 6	132	5 13/64"	142	5 19/32"	29.5	1 5/32"	141.028.427.1
	C15	1 3/4" Z 20	132	5 13/64"	142	5 19/32"	29.5	1 5/32"	141.028.428.1
90	C12	1 3/8" Z 6	137	5 25/64"	144	5 43/64"	26	1 1/32"	141.029.319.1
	C13	1 3/8" Z 21	137	5 25/64"	144	5 43/64"	26	1 1/32"	141.029.320.1
	C17	1 3/4" Z 6	137	5 25/64"	152	5 63/64"	29.5	1 5/32"	141.029.317.1
	C15	1 3/4" Z 20	137	5 25/64"	152	5 63/64"	29.5	1 5/32"	141.029.318.1
120	C27	1 3/4" Z 6	155	6 7/64"	162	6 3/8"	45.5	1 51/64"	141.220.005.1
	C25	1 3/4" Z 20	155	6 7/64"	162	6 3/8"	45.5	1 51/64"	141.220.001.1