

Part number:

HYDROMA

HYDRAULICKÉ SYSTÉMY

**HIDROMA
SISTEMS**

UKŁADY HYDRAULICZNE

HYDROMA

ГИДРАВЛИЧЕСКИЕ СИСТЕМЫ

Manufactured according ISO 7241-A norm, DN13 size meets also ISO 5675 requirements.
Poppet Valve or Ball closing system.
BSP, NPTF, SAE/ORB threads. Others available upon request.

• **Materials**


Body: Carbon Steel EN-10277-3
Seals: NBR, Viton or EPDM
Back-Up-Ring: PTFE
Balls: AISI 1010/1015
Springs: Carbon Steel
DIN 17233/84(B)

• **Applications:** Designed for Oil hydraulic Applications according to European Directive 97.23.EC

• **Equivalence**

FASTER ANV
AEROQUIP FD56
PARKER 6600
SNAP-TITE 61

• **Working temperature (Seals)**

	NBR	Viton	EPDM
	+100°C	+200°C	+150°C
	-30°C	-10°C	-40°C

• **Sectors:** Industrial, Agricultural

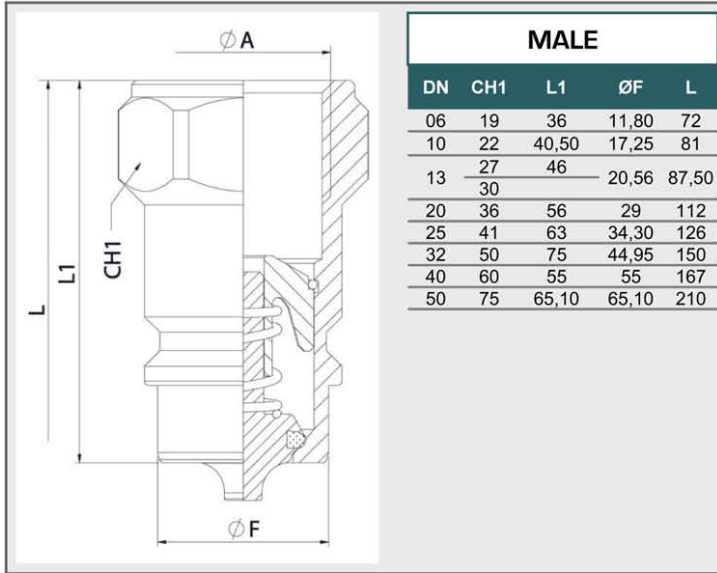


MODEL STRUCTURE

Example;

101.11112 BC

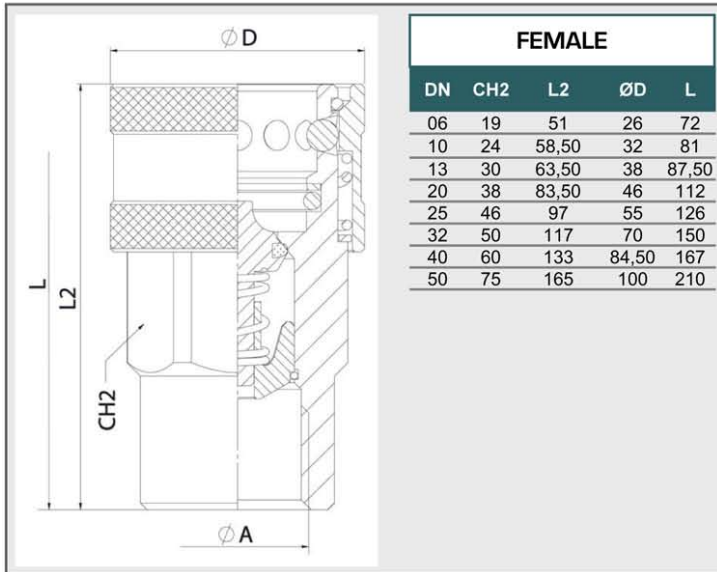




Manufactured according to ISO 7241-A norm, DN13 size meets as well ISO 5675 requirements.

L= length while quick coupling is connected.

STANDARD MODELS				
DN	ØA	MALE	FEMALE	
06	1/4" BSP	101.11111AB	101.12111AB	350Bar
		101.11111BB	101.12111BB	
10	3/8" BSP	101.11112AC	101.12112AC	300Bar
		101.11112BC	101.12112BC	
13	1/2" BSP	101.11112DC	101.12112DC	300Bar
		101.11112GC	101.12112GC	
20	3/4" BSP	101.11113AD	101.12113AD	250Bar
		101.11113BD	101.12113BD	
25	1" BSP	101.11113NG	101.12113NG	230Bar
		101.11113GF	101.12113GF	
32	1 1/4" BSP	101.11113GH	101.12113GH	200Bar
		101.11114AE	101.12114AE	
40	1 1/2" BSP	101.11114BE	101.12114BE	130Bar
		101.11114GK	101.12114GK	
50	2" BSP	101.11115AF	101.12115AF	230Bar
		101.11115BF	101.12115BF	
06	1/4" BSP	101.11115GO	101.12115GO	230Bar
		101.11116AG	101.12116AG	
10	3/8" BSP	101.11116BG	101.12116BG	200Bar
		101.11117AH	101.12117AH	
13	1/2" BSP	101.11117BH	101.12117BH	130Bar
		101.11118AI	101.12118AI	
20	3/4" BSP	101.11118BI	101.12118BI	130Bar



Manufactured according to ISO 7241-A norm, DN13 size meets as well ISO 5675 requirements

L= length while quick coupling is connected.

TECHNICAL DATA

DN	Rated Flow	Min Burst Pressure (bar)			Max. Working Pressure *
		Male	Female	Coupled	
06	15 l/m	1650	1800	1400	350 bar
10	35 l/m	1250	1350	1200	300 bar
13	45 l/m	1200	1300	1200	300 bar
20	74 l/m	1030	1200	1000	250 bar
25	100 l/m	950	980	920	230 bar
32	118 l/m	800	950	920	230 bar
40	410 l/m	750	850	800	200 bar
50	860 l/m	620	650	520	130 bar

* Safety factor 1:4
Data of Carbon Steel models

