

Part number:

HYDROMA

HYDRAULICKÉ SYSTÉMY

**HIDROMA
SYSTEMS**

UKŁADY HYDRAULICZNE

HYDROMA

ГИДРАВЛИЧЕСКИЕ СИСТЕМЫ

ACCESSORIES

PROTECTION CAPS FOR FIRG - A SERIES

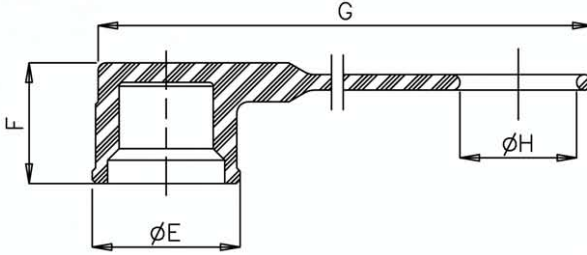
Protective caps are always recommended to protect the couplings from damage, dirt inclusion, and will increase the product life. This is particularly important in mobile applications where exposure to weather and aggregate materials are common.

The protection caps for FIRG-A series are available in three kind of materials:

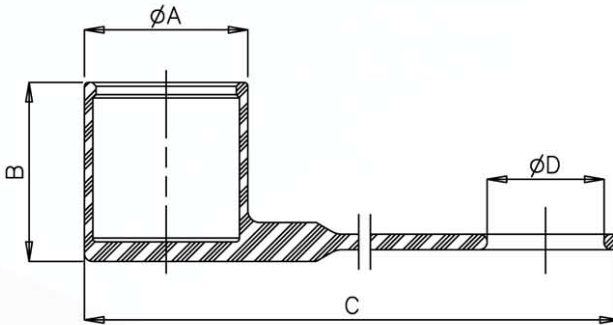
- PVC (from FIRG14-A7 to FIRG114-A21)
- Aluminum (from A25 to FIRG200)
- Nylon (from FIRG38-A9 to FIRG100-A17)



OVERALL DIMENSIONS PROTECTION CAPS FOR FIRG-A SERIES



TAPPO PER INNESTO
MASCHIO
Cap of male half



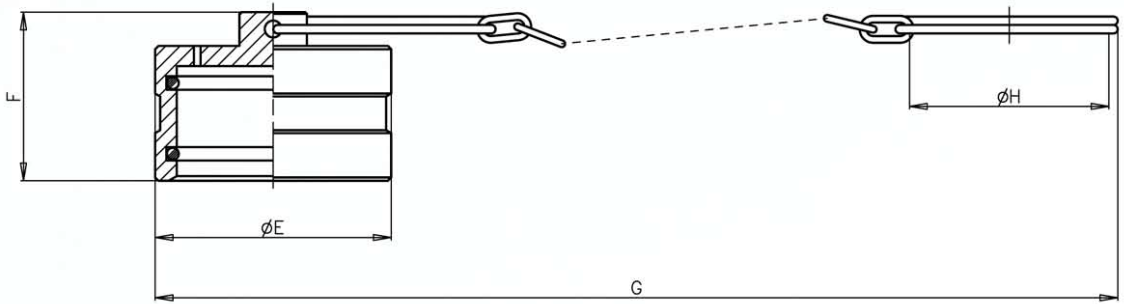
TAPPO PER INNESTO
FEMMINA
Cap of female half

PVC CAPS

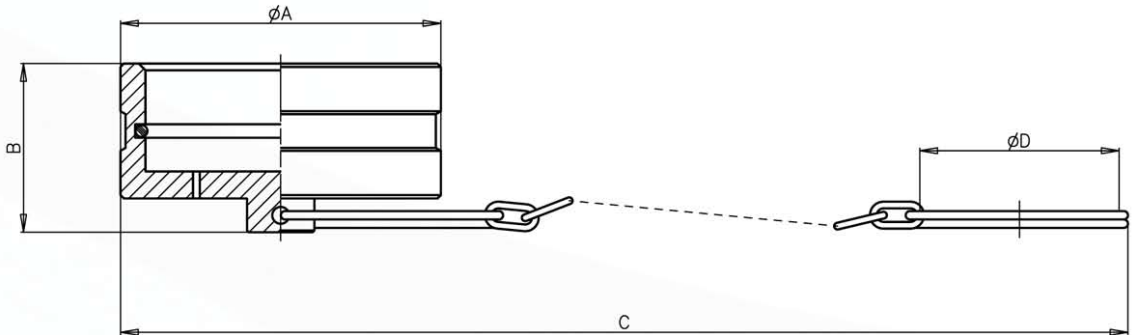
- Available in following colors: Red, yellow, blue, black and green.
- Temperature range: from -20 °C to +100 °C (from -4 °F to +212 °F).

Description	Coupling	Unit	A	B	C	D	E	F	G	H	Unit	Weight
P-7B	F-FIRG14 F-A7	mm Inch	32 1,26	38 1,50	239 9,41	20 0,79	- -	- -	- -	- -	Kg lb	0,017 0,04
D-7	M-FIRG14 M-A7	mm Inch	- -	- -	- -	- -	28 1,10	23 0,91	230 9,06	20 0,79	Kg lb	0,010 0,02
P-9D	F-FIRG38 F-A9 3/8	mm Inch	36 1,42	43 1,69	247 9,72	25 0,98	- -	- -	- -	- -	Kg lb	0,022 0,05
D-9S	M-FIRG38 M-A9 3/8	mm Inch	- -	- -	- -	- -	32 1,26	28 1,10	233 9,17	20 0,79	Kg lb	0,015 0,03
P-9D	F-FIRG12 F-A9 1/2	mm Inch	36 1,42	43 1,69	247 9,72	25 0,98	- -	- -	- -	- -	Kg lb	0,022 0,05
D-9L	M-FIRG12 M-A9 1/2	mm Inch	- -	- -	- -	- -	32 1,26	28 1,10	235 9,25	25 0,98	Kg lb	0,015 0,03
P-13D	F-FIRG12A F-A13 1/2	mm Inch	42 1,65	46 1,81	256 10,08	25 0,98	- -	- -	- -	- -	Kg lb	0,032 0,07
D-13S	M-FIRG12A M-A13 1/2	mm Inch	- -	- -	- -	- -	38 1,50	31,5 1,24	248 9,76	25 0,98	Kg lb	0,020 0,04
P-13F	F-FIRG34 F-A13 3/4	mm Inch	42 1,65	46 1,81	259 10,20	30 1,18	- -	- -	- -	- -	Kg lb	0,032 0,07
D-13L	M-FIRG34 M-A13 3/4	mm Inch	- -	- -	- -	- -	38 1,50	31,5 1,24	248 9,76	30 1,18	Kg lb	0,020 0,04
P-15F	F-FIRG34B F-A15	mm Inch	46 1,81	50 1,97	265 10,43	30 1,18	- -	- -	- -	- -	Kg lb	0,038 0,08
D-15F	M-FIRG34B M-A15	mm Inch	- -	- -	- -	- -	42 1,65	28 1,10	256 10,08	30 1,18	Kg lb	0,036 0,08
P-17G	F-FIRG100 F-A17	mm Inch	52 2,05	62 2,44	318 12,52	35 1,38	- -	- -	- -	- -	Kg lb	0,058 0,13
D-17G	M-FIRG100 M-A17	mm Inch	- -	- -	- -	- -	48 1,89	35 1,38	310 12,20	35 1,38	Kg lb	0,063 0,14
P-21H	F-FIRG114 F-A21	mm Inch	60 2,36	68 2,68	335 13,19	45 1,77	- -	- -	- -	- -	Kg lb	0,080 0,18
D-21H	M-FIRG114 M-A21	mm Inch	- -	- -	- -	- -	55 2,17	38,5 1,52	324 12,76	45 1,77	Kg lb	0,079 0,17

OVERALL DIMENSIONS PROTECTION CAPS FOR FIRG-A SERIES



TAPPO PER INNESTO MASCHIO
Cap of male half



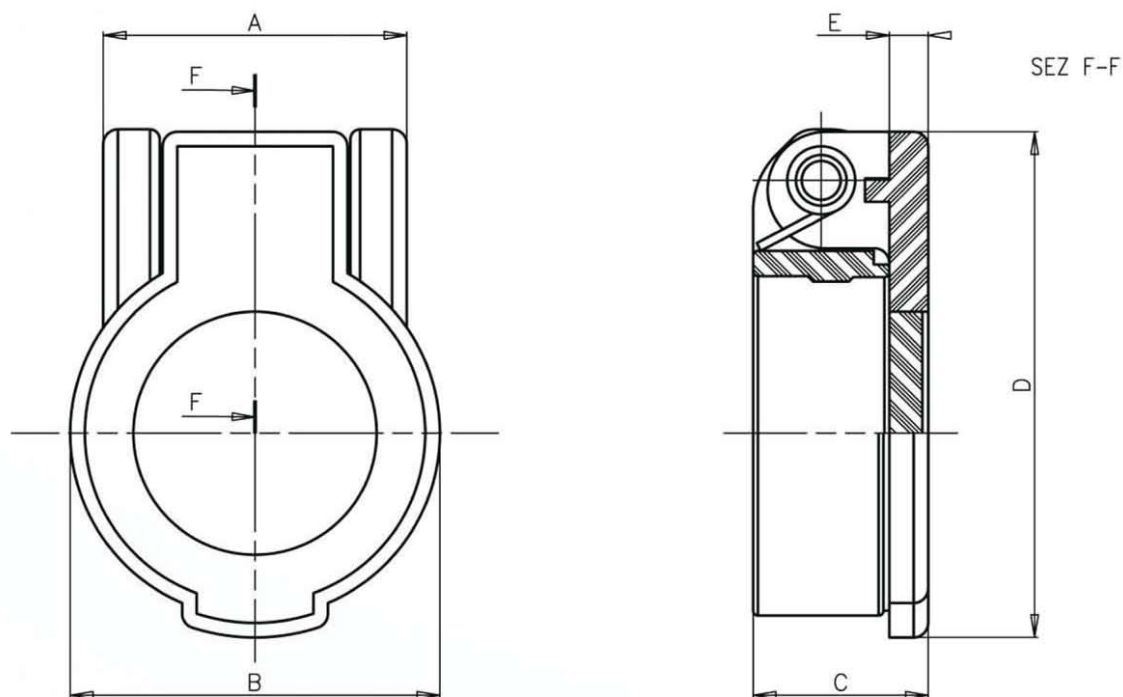
TAPPO PER INNESTO FEMMINA
Cap of female half

ALUMINUM CAPS

- Available in following colors: White and red.
- Temperature range: from -20 °C to +100 °C (from -4 °F to +212 °F).

Description	Coupling	Unit	A	B	C	D	E	F	G	H	Unit	Weight
-	F-A25	mm	80	41	370	51	-	-	-	-	Kg	0,220
		Inch	3,15	1,61	14,57	2,01	-	-	-	-	Lb	0,49
-	M-A25	mm	-	-	-	-	60	46	360	51	Kg	0,180
		Inch	-	-	-	-	2,36	1,81	14,17	2,01	Lb	0,40
-	F-FIRG112	mm	95	50	380	58,5	-	-	-	-	Kg	0,355
	F-A30	Inch	3,74	1,97	14,96	2,30	-	-	-	-	Lb	0,78
-	M-FIRG112	mm	-	-	-	-	70	50	368	58,5	Kg	0,205
	M-A30	Inch	-	-	-	-	2,76	1,97	14,49	2,30	Lb	0,45
-	F-FIRG200	mm	115	50	435	75	-	-	-	-	Kg	0,470
		Inch	4,53	1,97	17,13	2,95	-	-	-	-	Lb	1,04
-	M-FIRG200	mm	-	-	-	-	85	62	420	75	Kg	0,305
		Inch	-	-	-	-	3,35	2,44	16,54	2,95	Lb	0,67

OVERALL DIMENSIONS PROTECTION CAPS FOR FIRG-A SERIES



NYLON FLIP CAPS

- Available in following colors: Red, yellow, blue, black and green.
- Temperature range: from -20 °C to +100 °C (from -4 °F to +212 °F).

Description	Coupling	Unit	A	B	C	D	E	Unit	Weight
-	F-FIRG38-12 F-A9	mm Inch	31,5 1,24	38 1,50	18 0,71	52 2,05	4 0,16	Kg lb	0,018 0,04
-	F-FIRG12A-34 F-A13	mm Inch	31,5 1,24	46 1,81	18 0,71	60 2,36	4 0,16	Kg lb	0,023 0,05
-	F-FIRG34B F-A15	mm Inch	31,5 1,24	50 1,97	18 0,71	64 2,52	4 0,16	Kg lb	0,025 0,05
-	F-FIRG34A-100 F-A17	mm Inch	31,5 1,24	56 2,20	18 0,71	70 2,76	4 0,16	Kg lb	0,025 0,06