

Part number:

HYDROMA

HYDRAULICKÉ SYSTÉMY

**HIDROMA
SISTEMS**

UKŁADY HYDRAULICZNE

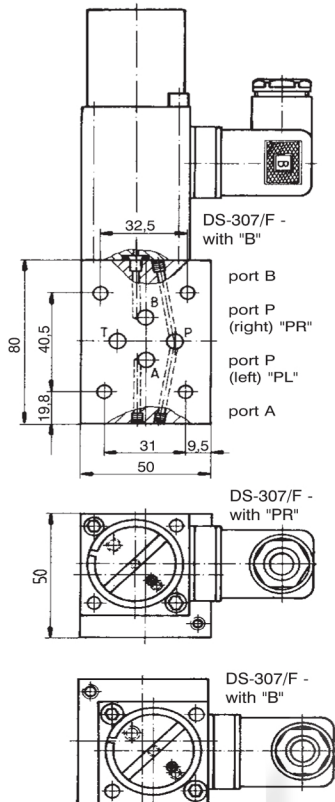
HYDROMA

ГИДРАВЛИЧЕСКИЕ СИСТЕМЫ

Subplates for compact mounting

These subplates are for direct connection of the flangeable pressure switch onto an optional port e.g. "P", "A" or "B" without drilling of additional ports. Maximum pressure: 350 bar.

NG 6-subplate PZ-6/1

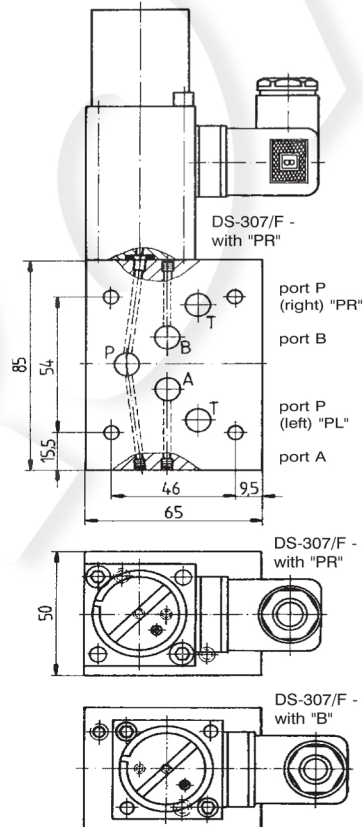


Example:
Subplate
with
pressure switch
Typ DS-307/F...
at
port "B"

Scope of delivery:

- 1 off subplate with
- 4 off O-Ring 5-612
(8.74 x 1.78)
- 3 off expander

NG 10-subplate PZ-10



Example:
Subplate
with
pressure switch
Typ DS-307/F...
at
port "PR" (right)

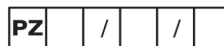
Scope of delivery:

- 1 off subplate with
- 5 off O-Ring 2-014
(12.42 x 1.78)
- 3 off expander

How to order

Subplates for
pressure switch connection

- 6/1** = NG 6 with graphical
symbol A 6-DIN 24 340
- 10** = NG 10 with graphical
symbol A 10-DIN 24 340



connection in
PR = port P (right)
PL = port P (left)
A = port A
B = port B
AB = port A and B
 other combinations on request
 (e.g. PR + PL)

no indications = Perbunan-seals
S = Viton®/fluoroelastomers-seals

Viton® is a registered trademark of DuPont Performance Elastomers.