

Part number:

HYDROMA

HYDRAULICKÉ SYSTÉMY

HIDROMA
SYSTEMS

UKŁADY HYDRAULICZNE

HYDROMA

ГИДРАВЛИЧЕСКИЕ СИСТЕМЫ

TAP 90 series

Nylon oil filler and air breather filler cap



TAP 90 GENERAL INFORMATION

Technical data

Air breathers & Filler plugs

Nylon oil filler and air breather filler cap

Flow rate up to 550 l/min

TAP90 is a range of plastic air breathers and filler caps for protection of the tank against the solid contamination contained into the air and filling of the fluid into the systems during the commissioning and maintenance procedures.

They are usually directly fitted on the tank.

Available features:

- Male threaded connections up to 1 1/2" and flanged connection with bayonet, for a maximum flow rate of 550 l/min
- Fine cellulose filtration, to get a good cleanliness level into the reservoir
- Pressurization valve with different setting, to guarantee a positive pressure into the tank in any application with metal or plastic tanks
- Padlock tab, to secure the air breather to the tank
- Filling basket, to hold the coarse contamination contained into the fluid and to diffuse the fluid flow into the tank
- Dipstick, to monitor the fluid level into the tank even in complicated positions

Common applications:

- Hydraulic systems
- Mobile machines
- Industrial equipment

Flow rate Δp 0.02 bar

	Flow rate [l/min]	
	Filtration rating	03
TAP90	450	550

Materials

- Cover/Ringnut: Nylon
- Filter element: Resin impregnate paper, Polyurethane
- Pressurization valve: Nylon (bodies), Galvanized steel (end cap - disk), NBR (seals)
- Flange B: Nylon
- Seals: NBR
- Screws: Galvanized steel
- Padlock tab: Galvanized steel
- Chain, Ring: Brass
- Dipstick: Phosphatized steel
- Basket: Galvanized steel, Nylon

Temperature

From -25 °C to +100 °C

Weight

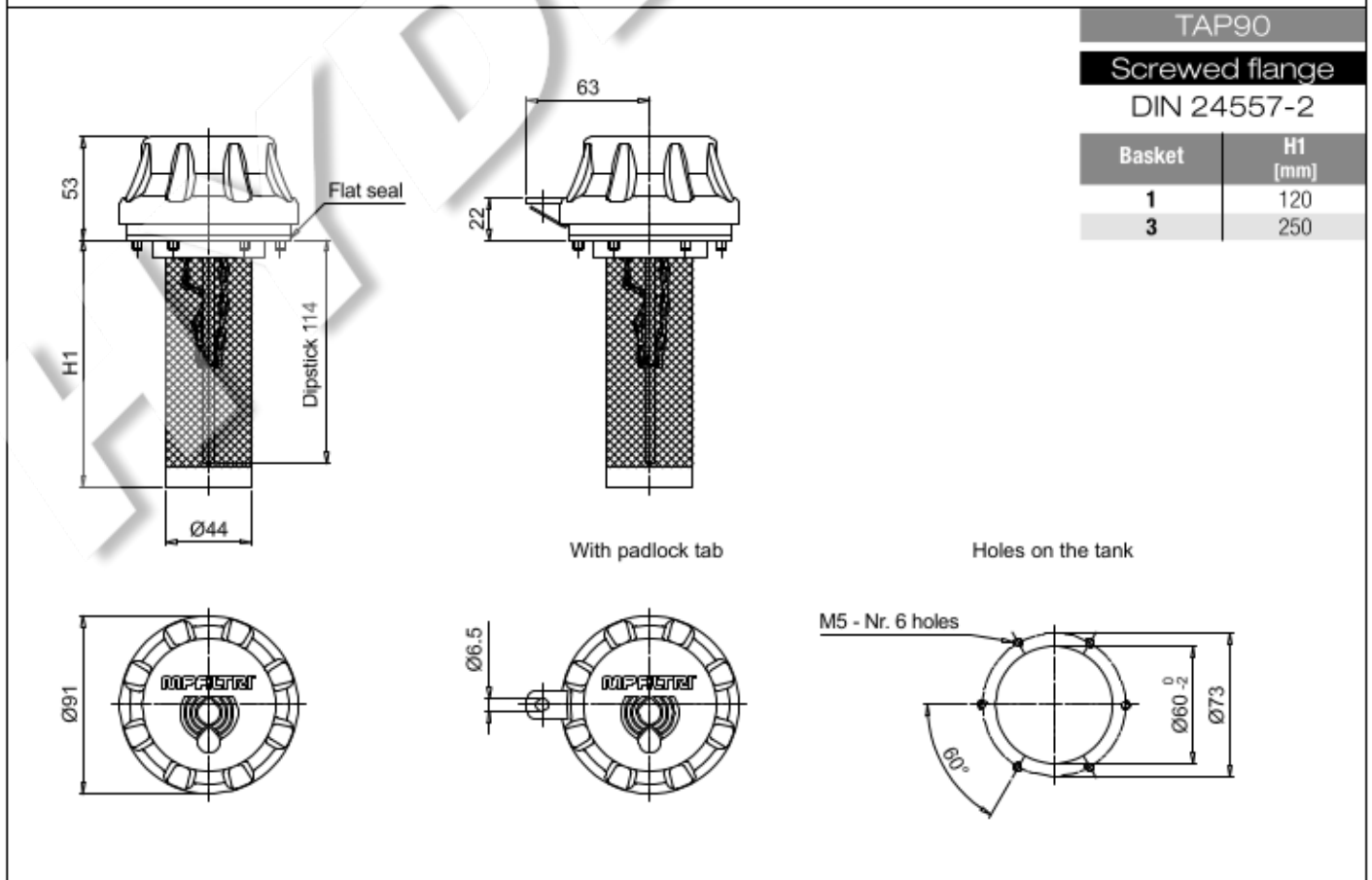
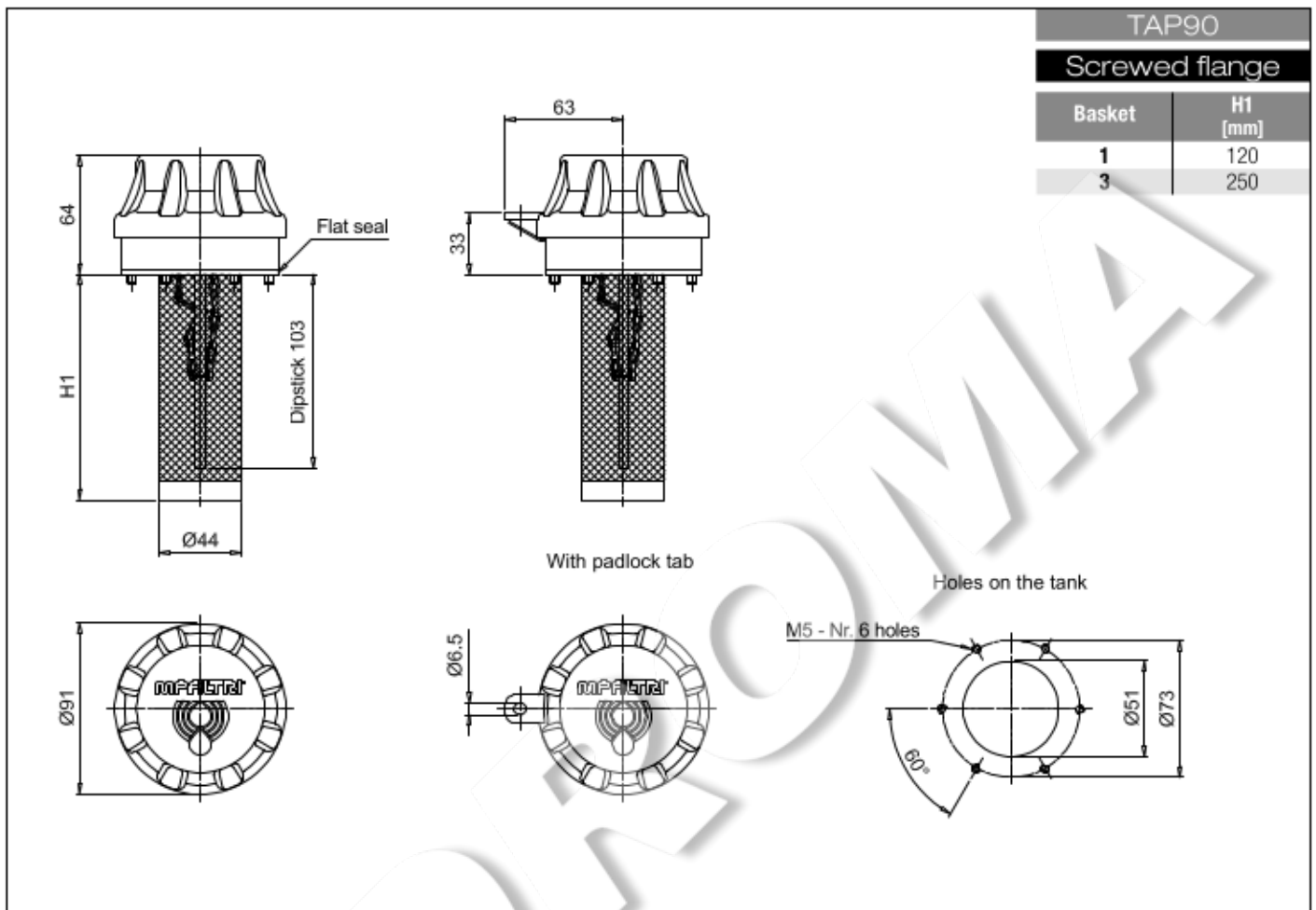
L 120 mm 0.25 kg
L 250 mm 0.31 kg



Designation & Ordering code

COMPLETE BREATHER PLUG - TAP90

Series and size	Configuration example 1: TAP90										
TAP90	R	03	A	1	A	1	P01				
	Configuration example 2: TAP90										
	G	10	A	2	L		P01				
Connections to the tank											
R Screwed flange with M52x2 mount	H Thread G 1 1/2"										
F Screwed flange DIN 24557-2	M Thread 3/4" NPT										
C Weld riser	G Thread M52x2										
Q Thread G 3/4"											
Filtration rating		Connection									
		R	F	C	Q	H	M	G			
00 Without filter (blind filler plug)		•	•	•							
03 Resin impregnate paper 3 µm		•	•	•	•	•	•	•			
10 Polyurethane 10 µm		•	•	•	•	•	•	•			
Valve		Filtration rating:									
		00	03	10							
0 Without valve		•	•	•							
1 0.3 bar pressurization valve			•	•							
2 0.7 bar pressurization valve			•	•							
Version											
0 Standard	A With dipstick										
L With padlock tab	F With padlock tab and dipstick										
Basket		Connection									
		R	F	C	Q	H	M	G			
0 Without basket		•	•	•							
1 With basket 120 mm		•	•	•							
3 With basket 250 mm		•	•	•							
Seals											
A NBR											
Execution											
P01 MP Filtri standard											
Pxx Customized											



TAP 90

Dimensions

