

Part number:

HYDROMA

HYDRAULICKÉ SYSTÉMY

**HIDROMA
SYSTEMS**

UKŁADY HYDRAULICZNE

HYDROMA

ГИДРАВЛИЧЕСКИЕ СИСТЕМЫ

Indicators



VACUUM GAUGE

NBR	FKM	Vacuum gauge	NBR	FKM	Vacuum gauge
10	-	Scale 0 ÷ 100 kPa (1 bar)	11	-	Scale 0 ÷ 100 kPa (1 bar)

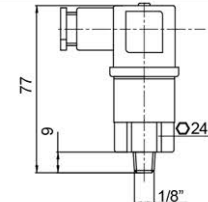
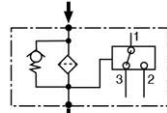
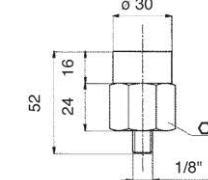
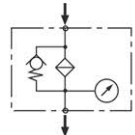
PRESSURE GAUGE

NBR	FKM	Pressure gauge			
30	-	Scale 0 ÷ 600 kPa (6 bar)			
NBR	FKM	Pressure gauge			
31	-	Scale 0 ÷ 1,2 MPa (12 bar)			
NBR	FKM	Pressure gauge			
32	-	Scale 0 ÷ 600 kPa (6 bar)			
33	-	Scale 0 ÷ 1,2 MPa (12 bar)			

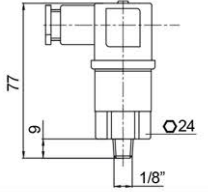
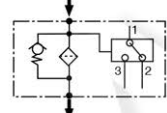
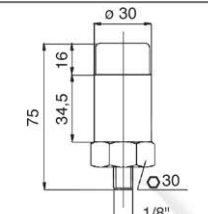
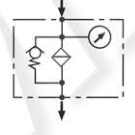
DIFFERENTIAL INDICATORS

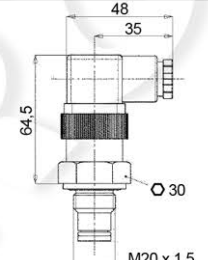
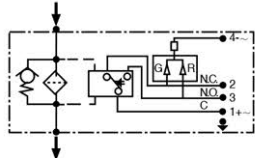
NBR	FKM	Differential VISUAL indicator	NBR	FKM	Differential ELECTRICAL indicator
U0	W0	Setting 130 kPa (1,3 bar)	N0	S0	Setting 130 kPa (1,3 bar)
<p>Recommended tightening torque 90 Nm</p>			<p>Recommended tightening torque 90 Nm</p> <p>SPDT differential switch. C.C. 14 - 30 V: > max resistive or inductive load 4 - 3 A respectively C.A. 125-250 V: > max resistive or inductive load 1 A Protection IP65 Connector DIN 43650</p>		
NBR	FKM	Differential VISUAL indicators	<p>Recommended tightening torque 90 Nm</p>		
5B	AB	Setting 130 kPa (1,3 bar)			
5C	AC	Setting 200 kPa (2 bar)			
5D	AD	Setting 250 kPa (2,5 bar)			
5E	AE	Setting 500 kPa (5 bar)			
5F	AF	Setting 800 kPa (8 bar)			
NBR	FKM	Differential ELECTRICAL indicators	<p>Recommended tightening torque 90 Nm</p> <p>SPDT differential switch. C.C. 14 - 30 V: > max resistive or inductive load 4 - 3 A respectively C.A. 125-250 V: > max resistive or inductive load 1 A Protection IP65 Connector DIN 43650</p>		
6B	CB	Setting 130 kPa (1,3 bar)			
6C	CC	Setting 200 kPa (2 bar)			
6D	CD	Setting 250 kPa (2,5 bar)			
6E	CE	Setting 500 kPa (5 bar)			
6F	CF	Setting 800 kPa (8 bar)			

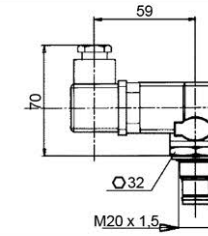
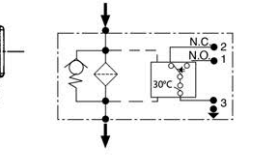
VACUUM SWITCH

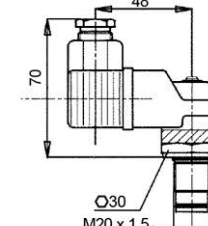
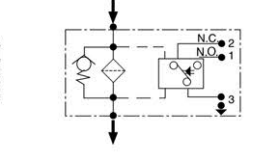
NBR	FKM	Vacuum switch		
91	-	Setting 20 kPa (0,2 bar)		<p>ATEX 3 GD EEx e T6</p>  <p>SPDT. C.C. 30V: > max resistive or inductive load 3A - 1A respectively C.A. 125 or 250V: > max resistive or inductive load 3A - 0,5A respectively Protection IP65 Connector DIN 43650</p>
S8	-	Setting 25 kPa (0,25 bar)		

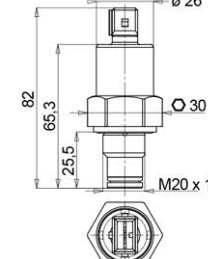
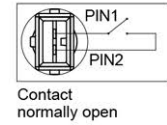
PRESSURE SWITCH

NBR	FKM	Pressure switch		
P4	-	Setting 130 kPa (1,3 bar)		<p>ATEX 3 GD EEx e T6</p>  <p>SPDT. C.C. 30V: > max resistive or inductive load 3A - 1A respectively C.A. 125 or 250V: > max resistive or inductive load 3A - 0,5A respectively Protection IP65 Connector DIN 43650</p>
P1	-	Setting 150 kPa (1,5 bar)		
P6	-	Setting 200 kPa (2 bar)		
R8	-	Setting 150 kPa (1,5 bar)		

NBR	FKM	Differential ELECTRICAL indicators with LED (24V) for visual indication		
7B	EB	Setting 130 kPa (1,3 bar)		<p>Recommended tightening torque 90 Nm</p>  <p>SPDT differential switch. C.C. 14 - 30V: > max resistive or inductive load 4 - 3A respectively C.A. 125-250 V: > max resistive or inductive load 1A Protection IP65 Connector DIN 43650</p>
7C	EC	Setting 200 kPa (2 bar)		
7D	ED	Setting 250 kPa (2,5 bar)		
7E	EE	Setting 500 kPa (5 bar)		
7F	EF	Setting 800 kPa (8 bar)		

NBR	FKM	Differential ELECTRICAL indicators with THERMOSTAT 30°C		
T0	DB	Setting 130 kPa (1,3 bar)		<p>Recommended tightening torque 90 Nm</p>  <p>SPDT differential switch. C.C. 14 - 30V: > max resistive or inductive load 4 - 3A respectively C.A. 125-250 V: > max resistive or inductive load 1A Protection IP65 Connector DIN 43650</p>
T1	DC	Setting 200 kPa (2 bar)		
T6	DD	Setting 250 kPa (2,5 bar)		
T2	DE	Setting 500 kPa (5 bar)		
T3	DF	Setting 800 kPa (8 bar)		

NBR	FKM	Differential VISUAL ELECTRICAL indicators		
70	E0	Setting 130 kPa (1,3 bar)		<p>Recommended tightening torque 90 Nm</p>  <p>SPDT differential switch. C.C. 14 - 30V: > max resistive or inductive load 4 - 3A respectively C.A. 125-250 V: > max resistive or inductive load 1A Protection IP65 Connector DIN 43650</p>
71	E1	Setting 200 kPa (2 bar)		
76	E6	Setting 250 kPa (2,5 bar)		
72	E2	Setting 500 kPa (5 bar)		
73	E3	Setting 800 kPa (8 bar)		

NBR	FKM	Differential ELECTRICAL indicator		
X6	-	Setting 250 kPa (2,5 bar)		 <p>Contact normally open</p> <p>Recommended tightening torque 54 Nm</p> <p>N.O. differential switch. C.C. 28-48V: > max resistive or inductive load 5 - 3A respectively C.A. 125-250 V: > max resistive or inductive load 4A Protection IP65-IP69K Connector AMP timer</p>

Technical data subject to variations without prior notice. Clogging indicators 02/2016