

Part number:

**HYDROMA**

HYDRAULICKÉ SYSTÉMY

**HIDROMA  
SYSTEMS**

UKŁADY HYDRAULICZNE

**HYDROMA**

ГИДРАВЛИЧЕСКИЕ СИСТЕМЫ

# Indicators



## VACUUM GAUGE

NBR	FKM	Vacuum gauge	NBR	FKM	Vacuum gauge
10	-	Scale 0 ÷ 100 kPa (1 bar)	11	-	Scale 0 ÷ 100 kPa (1 bar)

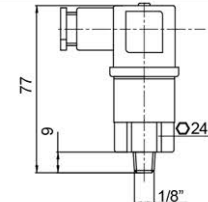
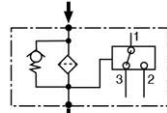
## PRESSURE GAUGE

NBR	FKM	Pressure gauge			
30	-	Scale 0 ÷ 600 kPa (6 bar)			
NBR	FKM	Pressure gauge			
31	-	Scale 0 ÷ 1,2 MPa (12 bar)			
NBR	FKM	Pressure gauge			
32	-	Scale 0 ÷ 600 kPa (6 bar)			
33	-	Scale 0 ÷ 1,2 MPa (12 bar)			

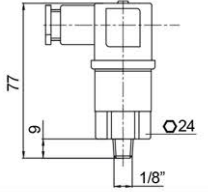
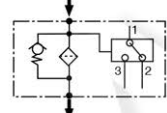
## DIFFERENTIAL INDICATORS

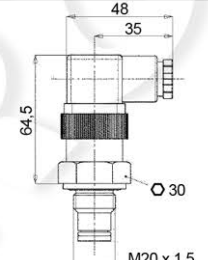
NBR	FKM	Differential VISUAL indicator	NBR	FKM	Differential ELECTRICAL indicator
U0	W0	Setting 130 kPa (1,3 bar)	N0	S0	Setting 130 kPa (1,3 bar)
<p>Recommended tightening torque 90 Nm</p>			<p>Recommended tightening torque 90 Nm</p> <p>SPDT differential switch. C.C. 14 - 30 V: &gt; max resistive or inductive load 4 - 3 A respectively C.A. 125-250 V: &gt; max resistive or inductive load 1 A Protection IP65 Connector DIN 43650</p>		
NBR	FKM	Differential VISUAL indicators	<p>Recommended tightening torque 90 Nm</p>		
5B	AB	Setting 130 kPa (1,3 bar)			
5C	AC	Setting 200 kPa (2 bar)			
5D	AD	Setting 250 kPa (2,5 bar)			
5E	AE	Setting 500 kPa (5 bar)			
5F	AF	Setting 800 kPa (8 bar)			
NBR	FKM	Differential ELECTRICAL indicators	<p>Recommended tightening torque 90 Nm</p> <p>SPDT differential switch. C.C. 14 - 30 V: &gt; max resistive or inductive load 4 - 3 A respectively C.A. 125-250 V: &gt; max resistive or inductive load 1A Protection IP65 Connector DIN 43650</p>		
6B	CB	Setting 130 kPa (1,3 bar)			
6C	CC	Setting 200 kPa (2 bar)			
6D	CD	Setting 250 kPa (2,5 bar)			
6E	CE	Setting 500 kPa (5 bar)			
6F	CF	Setting 800 kPa (8 bar)			

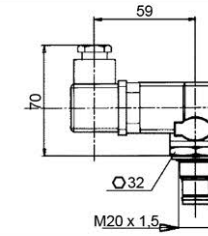
## VACUUM SWITCH

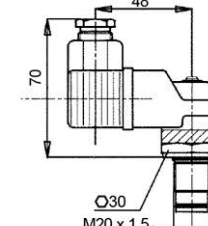
NBR	FKM	Vacuum switch		
91	-	Setting 20 kPa (0,2 bar)		ATEX 3 GD EEx e T6 SPDT, C.C. 30V: > max resistive or inductive load 3A - 1A respectively C.A. 125 or 250V: > max resistive or inductive load 3A - 0,5A respectively Protection IP65 Connector DIN 43650
S8	-	Setting 25 kPa (0,25 bar)		

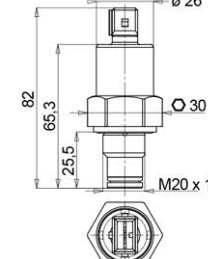
## PRESSURE SWITCH

NBR	FKM	Pressure switch		
P4	-	Setting 130 kPa (1,3 bar)		ATEX 3 GD EEx e T6 SPDT, C.C. 30V: > max resistive or inductive load 3A - 1A respectively C.A. 125 or 250V: > max resistive or inductive load 3A - 0,5A respectively Protection IP65 Connector DIN 43650
P1	-	Setting 150 kPa (1,5 bar)		
P6	-	Setting 200 kPa (2 bar)		
NBR <th>FKM</th> <th>VISUAL pressure indicator</th> <td></td> <td></td>	FKM	VISUAL pressure indicator		
R8	-	Setting 150 kPa (1,5 bar)		

NBR	FKM	Differential ELECTRICAL indicators with LED (24V) for visual indication		
7B	EB	Setting 130 kPa (1,3 bar)		Recommended tightening torque 90 Nm SPDT differential switch. C.C. 14 - 30V: > max resistive or inductive load 4 - 3A respectively C.A. 125-250 V: > max resistive or inductive load 1A Protection IP65 Connector DIN 43650
7C	EC	Setting 200 kPa (2 bar)		
7D	ED	Setting 250 kPa (2,5 bar)		
7E	EE	Setting 500 kPa (5 bar)		
7F	EF	Setting 800 kPa (8 bar)		

NBR	FKM	Differential ELECTRICAL indicators with THERMOSTAT 30°C		
T0	DB	Setting 130 kPa (1,3 bar)		Recommended tightening torque 90 Nm SPDT differential switch. C.C. 14 - 30V: > max resistive or inductive load 4 - 3A respectively C.A. 125-250 V: > max resistive or inductive load 1A Protection IP65 Connector DIN 43650
T1	DC	Setting 200 kPa (2 bar)		
T6	DD	Setting 250 kPa (2,5 bar)		
T2	DE	Setting 500 kPa (5 bar)		
T3	DF	Setting 800 kPa (8 bar)		

NBR	FKM	Differential VISUAL ELECTRICAL indicators		
70	E0	Setting 130 kPa (1,3 bar)		Recommended tightening torque 90 Nm SPDT differential switch. C.C. 14 - 30V: > max resistive or inductive load 4 - 3A respectively C.A. 125-250 V: > max resistive or inductive load 1A Protection IP65 Connector DIN 43650
71	E1	Setting 200 kPa (2 bar)		
76	E6	Setting 250 kPa (2,5 bar)		
72	E2	Setting 500 kPa (5 bar)		
73	E3	Setting 800 kPa (8 bar)		

NBR	FKM	Differential ELECTRICAL indicator		
X6	-	Setting 250 kPa (2,5 bar)		N.O. differential switch. C.C. 28-48V: > max resistive or inductive load 5 - 3A respectively C.A. 125-250 V: > max resistive or inductive load 4A Protection IP65-IP69K Connector AMP timer Recommended tightening torque 54 Nm

Technical data subject to variations without prior notice. Clogging indicators 02/2016