

Part number:

**HYDROMA**

HYDRAULICKÉ SYSTÉMY

**HIDROMA  
SYSTEMS**

UKŁADY HYDRAULICZNE

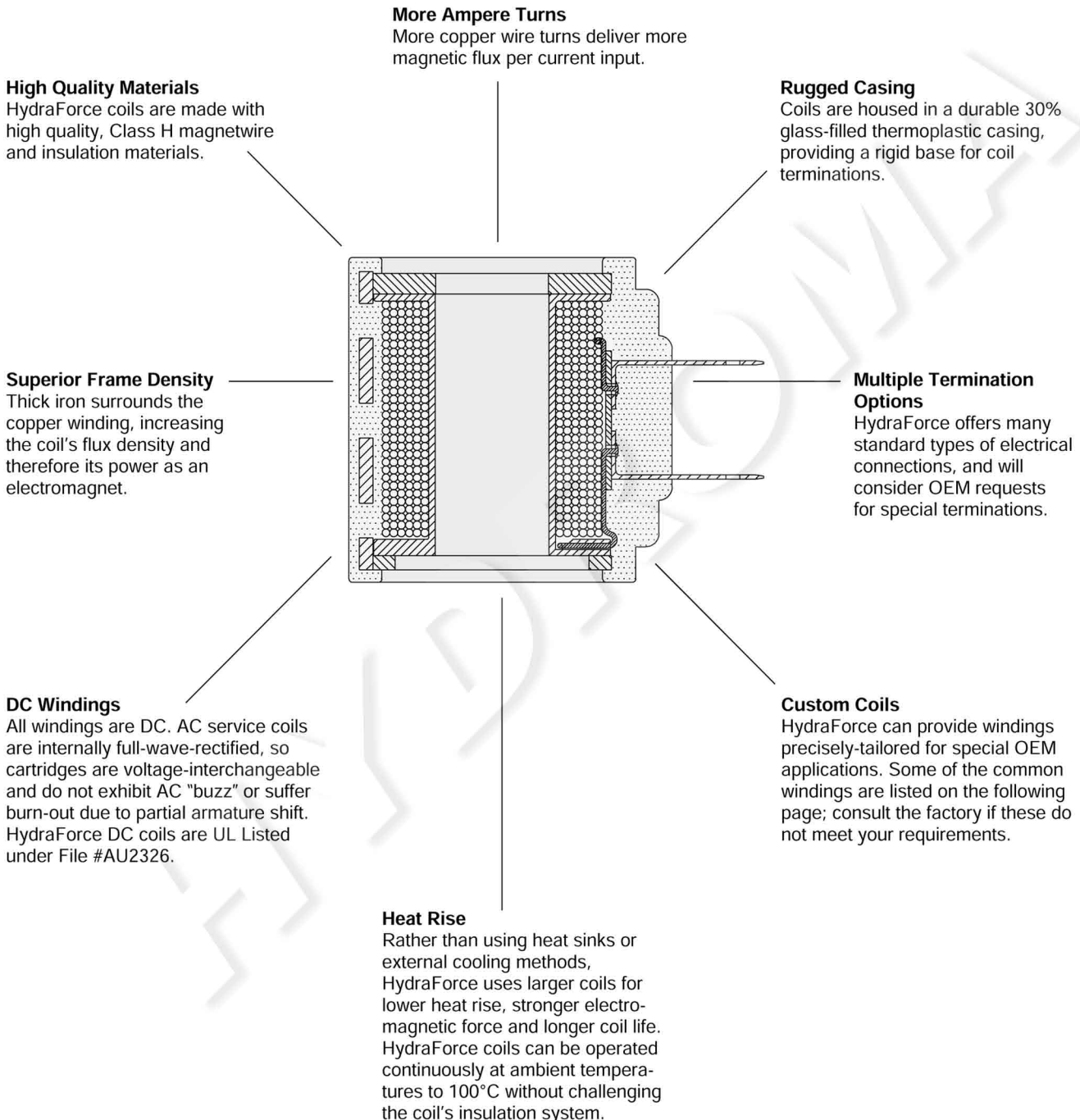
**HYDROMA**

ГИДРАВЛИЧЕСКИЕ СИСТЕМЫ

## COILS AND ELECTRONIC CONTROLS

### **Standard Coils and Proportional Valve Coils**

#### WHY HYDRAFORCE STANDARD COILS OUTPERFORM COMPETITIVE UNITS



# Standard Coils and Proportional Valve Coils

## COMMON WINDING SPECIFICATIONS

08, 80 Size Coil Data (14.7 Watts)		
Volts	Resistance (DC) @ 20°C Ohms	Initial Current Draw Amps
<b>DC Service</b>		
6*	2.46	2.44
10	6.8	1.47
12	9.8	1.22
20*	27.2	0.74
24	39.3	0.61
30*	61.4	0.49
36	88.3	0.41
48	156.6	0.31
72*	352.4	0.20
110	823.1	0.13
<b>AC Service</b>		
24	31.2	0.61
115	765.5	0.13
230	3035.0	0.06

\*Special Order Coils

10, 38, 58, 12, 52, 16, 56 Size Coil Data (20 Watts)		
Volts	Resistance (DC) @ 20°C Ohms	Initial Current Draw Amps
<b>DC Service</b>		
6*	1.8	3.33
10	4.8	2.08
12	7.2	1.67
20*	19.0	1.05
24	28.8	0.83
30*	43.2	0.69
36	64.8	0.56
48	110.2	0.44
72*	249.8	0.29
110	605.0	0.18
<b>AC Service</b>		
24	23.6	0.83
115	568.0	0.17
230	2304.0	0.09

\*Special Order Coils

70 Size Coil Data Proportional Coil Data		
Volts	Resistance (DC) @ 20°C Ohms	Nominal I-Max. Current Draw Amps
12	5.0	1.50
24	20.0	0.75

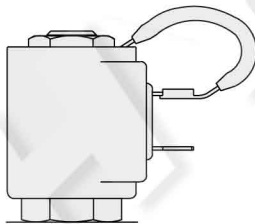
EHPR Coil Data Proportional Coil Data		
Volts	Resistance (DC) @ 20°C Ohms	Nominal I-Max. Current Draw Amps
10	3.1	1.50
12	5.4	1.20
20	12.5	0.75
24	21.7	0.60

## COIL INFORMATION

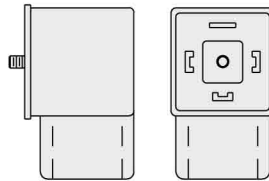
- AC service coils are internally rectified, and can be used in 50 or 60 cycle (Hz) lines.
- Special voltages and terminations are available for OEM applications; consult factory.
- Coil should always be installed with lettering facing up.
- Standard coils are not hermetically sealed. For applications requiring water or weather resistant coils,
- AC voltage service with transient surges over 1000 volts may require that a varistor be placed in parallel at the coil.

Voltage	Varistor Part No.	Joule Rating Required
115	GE: V150LA10A Siemens: S10R150 or equivalent	45 minimum
230	GE: V250LA40A Siemens: S20R250 or equivalent	130 minimum

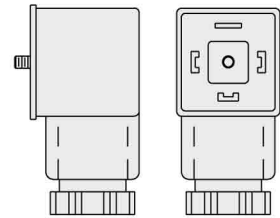
## COIL ACCESSORIES



**Coil Ground Strap  
for DS Coils  
P/N 6502200**



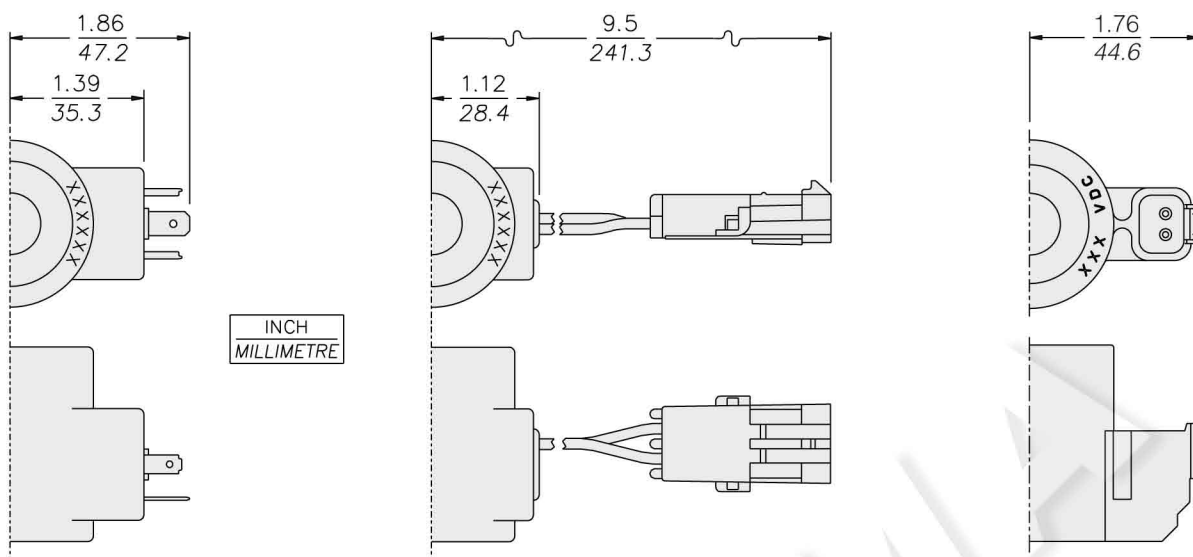
**DIN 43650  
1/2" Conduit to Connector  
P/N 6110001**



**DIN 43650  
Cable Gland PG 9  
(7 mm nominal cable diameter)  
P/N 6110002  
or Cable Gland PG 11  
(9 mm nominal cable diameter)  
P/N 6110005**

# Standard Coils and Proportional Valve Coils

## SERIES 10, 12, 16, 38, 58 COIL INFORMATION



**G**

**DIN 43650  
Connector**

**W**

**Dual 18 Gauge Leads with  
Weather Pack® Connector**

For use with Packard part no. 12015792  
male plug

**DR**

**Integral Deutsch  
Connector**

DR Models without Diode  
DR/D Models with Diode  
DR/Z Models with Zener Diode

Voltage	Part Number Suffix				
	G	W	DR	DR/D	DR/Z
10 VDC		6359410			
12 VDC	6356012	6359412	4301612	4301892	4301862
24 VDC	6356024	6359424	4301624	4301894	4301864
36 VDC	6356036	6359436			
48 VDC	6356048	6359448			
110 VDC	6356110				
*24 VAC	6366024				
*115 VAC	6366115				
*230 VAC	6366230				

\*Rectified