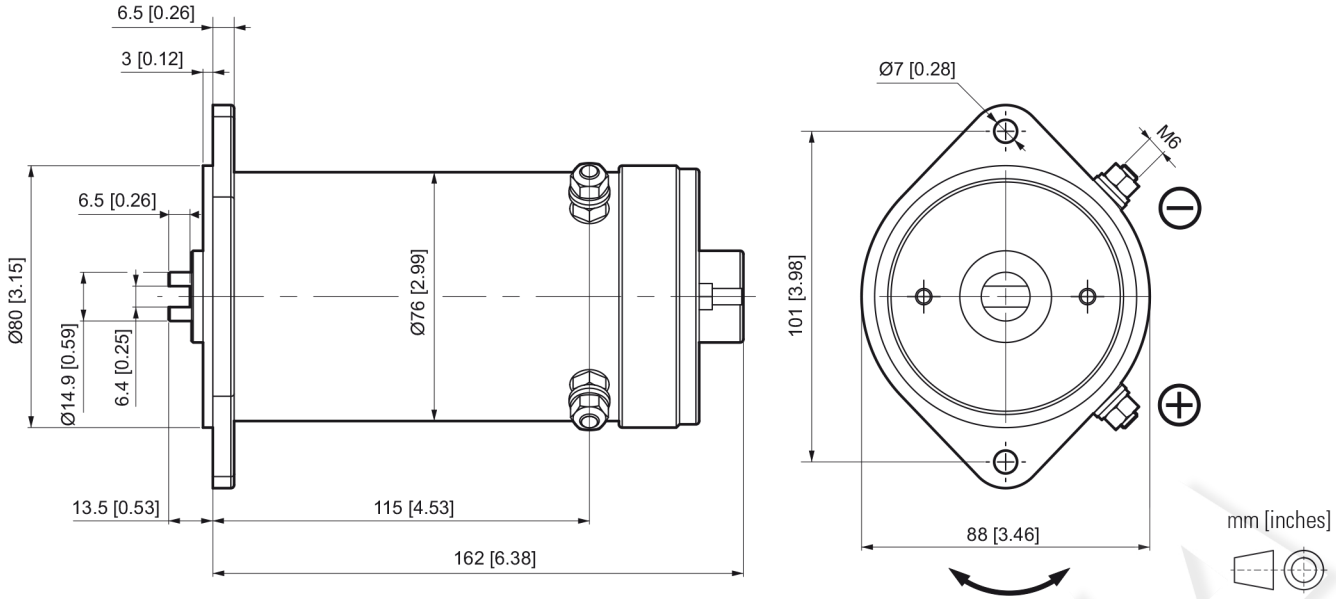


25021700

24 VDC - 0.8 KW - D.80 MOTOR



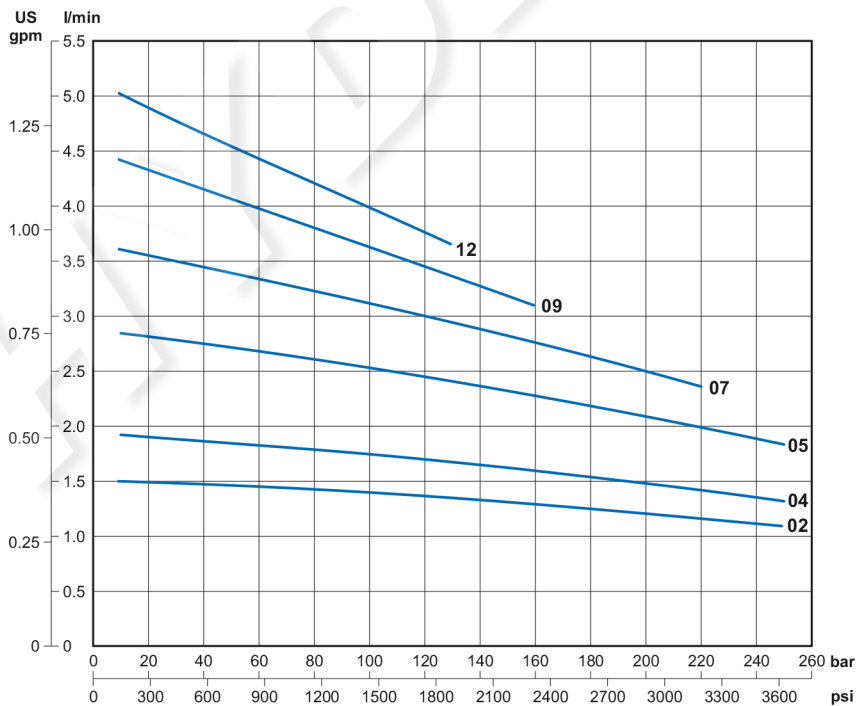
RATED FEATURES

Voltage	24 VDC
Power	0.8 kW
Nominal diameter	80 mm [3.15 in]
Motor type	Permanent magnet
Rotation	CCW-CW
Protection class IP (with motor assembled on hydraulic power pack)	54
S2 / S3 duty service	see curves
Insulation class	F
Weight	2.7 kg [5.95 lb]

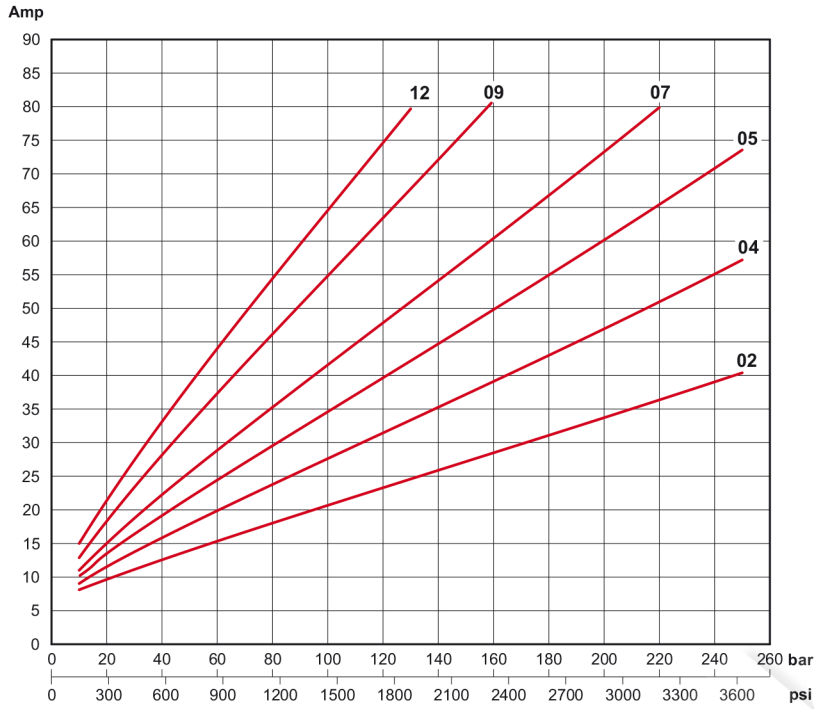
PUMP TYPE

Code	cc/rev.	GR (Size)
02	0.25	05
04	0.45	05
05	0.56	05
07	0.75	05/1
09	0.9	05/1
12	1.2	05/1

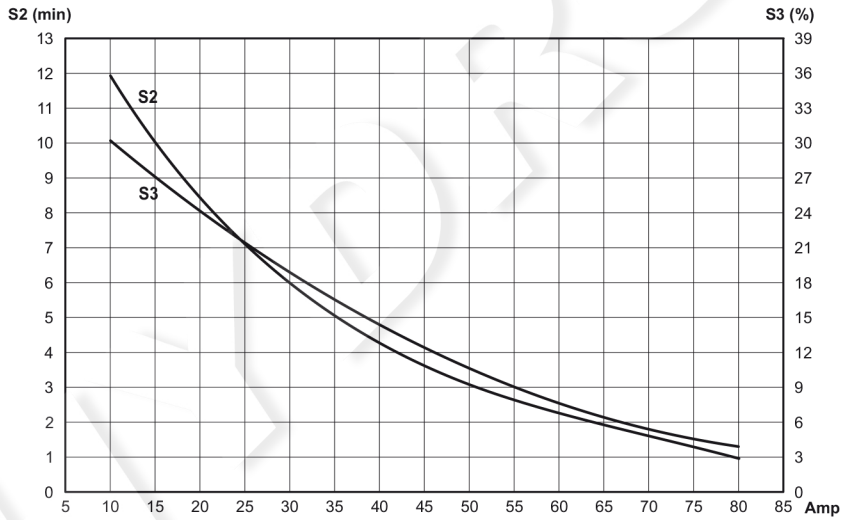
Performance with GR05 / GR1 pumps
Displacement $0.2 \div 1.2$ cc/rev [0.012 \div 0.073 in³/rev]



Current with GR05 / GR1 pumps
Displacement 0.2 ÷ 1.2 cc/rev [0.012 ÷ 0.073 in³/rev]



Thermal characteristics S2 - S3



ORDERING CODE

Code	Description
25021700	24VDC motor - 0.8 kW

Code	Description
KIT07012.032	Starting switch kit 24VDC - 120A (fixing with clamp)

Reference data: maximum nominal pressure Pmax = 250 bar. Oil ISO VG32 temperature 35°C (viscosity 40 cSt), outside temperature 25°C.

Maximum nominal current Imax = 80A. Stabilized voltage to 24 Vdc detected at the terminals of the electric motor.