

Part number:

028-10032

HYDROMA

HYDRAULICKÉ SYSTÉMY

**HIDROMA
SYSTEMS**

UKŁADY HYDRAULICZNE

HYDROMA

ГИДРАВЛИЧЕСКИЕ СИСТЕМЫ

ETT 02125 EXTENSION TUBE FOR FILLER BREATHERS

Very helpful to avoid oil leakage from the breather due to oil vapors or tilt of the tank.

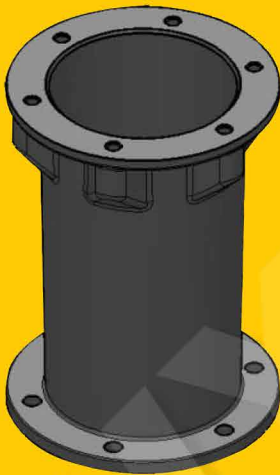
Fits any filler breather with DIN 24557-2 flange.

MATERIALS

Tube: Polyamide

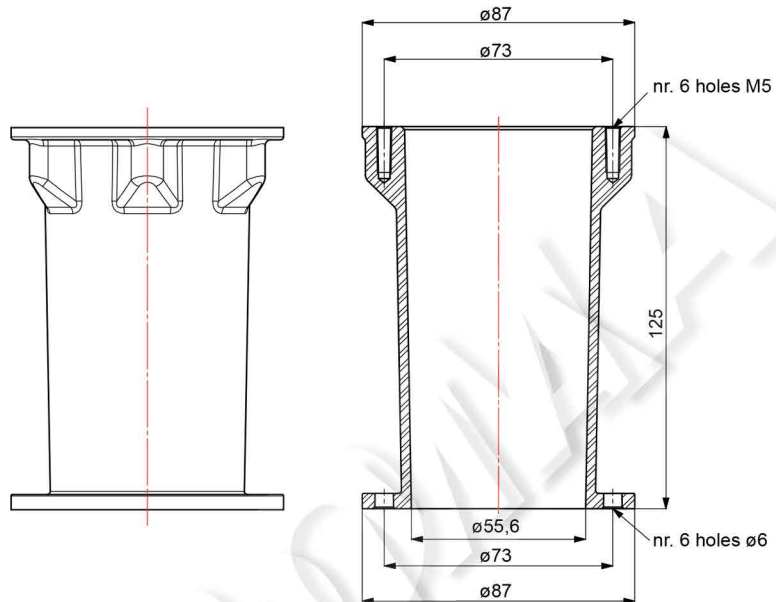
Gaskets: NBR Nitrile

Screws: Zinc plated steel



DIMENSIONAL LAYOUT

(mm)

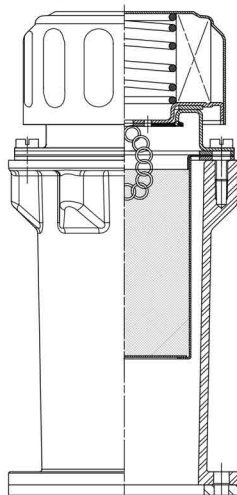


Both flanges according to DIN 24557-2

ETT

Accessories

Example with TM478G78



Example with TSP120CD1SS0S

