

Part number:

HYDROMA

HYDRAULICKÉ SYSTÉMY

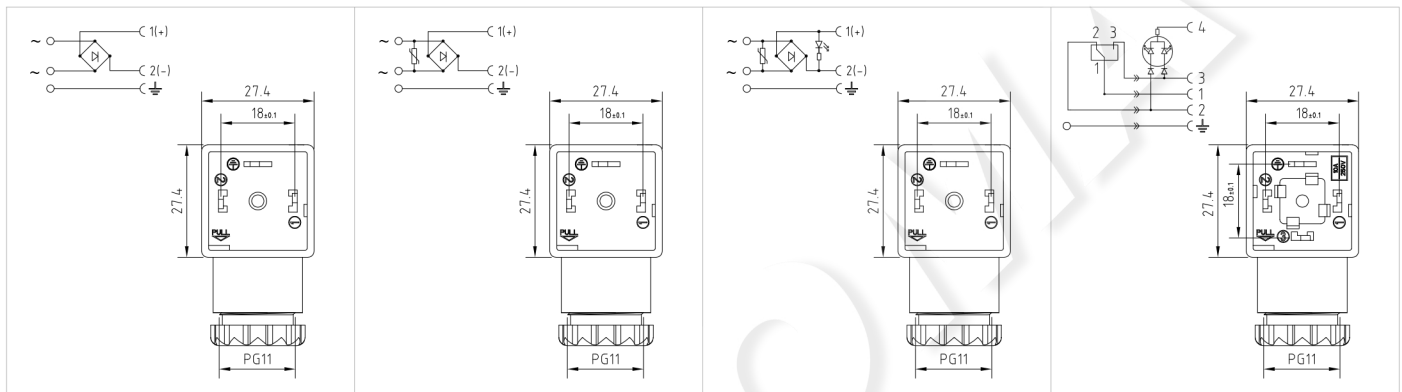
**HIDROMA
SYSTEMS**

UKŁADY HYDRAULICZNE

HYDROMA

ГИДРАВЛИЧЕСКИЕ СИСТЕМЫ

VALVE CONNECTORS



Product description

| | | | |
|--|--|--|--|
| DIN valve connectors | DIN valve connectors | DIN valve connectors | DIN valve connectors |
| EN175301-803 | EN175301-803 | EN175301-803 | EN175301-803 |
| A | A | A | A |
| G1NU2R03 | G1NU2RV1 G1NU2RV2 G1NU2RV3 | G1TU2RL1 G1TU2RL2 G1TU2RL3 | G1TU3Q01 G1TU3Q02 G1TU3Q03 |
| Square connector G1 series complete with gasket and fixing screw. Connector with electronic. | Square connector G1 series complete with gasket and fixing screw. Connector with electronic. | Square connector G1 series complete with gasket and fixing screw. Connector with electronic. | Square connector G1 series complete with gasket and fixing screw. Connector with electronic. |
| 18mm | 18mm | 18mm | 18mm |
| 2poles + P.E. | 2poles + P.E. | 2poles + P.E. | 3poles + P.E. |
| H.12 (turnable) | H.12 (turnable) | H.12 (turnable) | H.12 (turnable) |
| Black | Black | Transparent | Transparent |
| 30mm | 30mm | 30mm | 30mm |
| PG9/PG11 unified | PG9/PG11 unified | PG9/PG11 unified | PG9/PG11 unified |
| Profiled NBR gasket | Profiled NBR gasket | Profiled NBR gasket | Profiled NBR gasket |

Technical data

| | | | |
|------------------------------------|---------------------------------------|---|------------------------------------|
| Screw contacts | Screw contacts | Screw contacts | Screw contacts |
| 0.5 N*m | 0.5 N*m | 0.5 N*m | 0.5 N*m |
| 1-230V AC | 24V AC 115V AC 230V AC | 24V AC 115V AC 230V AC | 24V DC 115V DC 230V DC |
| Full-Wave Bridge Rectifier (1A) | Full-Wave Bridge Rectifier + Varistor | Full-Wave Bridge Rectifier + Varistor + Led | Bicolour Led + no.2 Diodes (1A) |
| - | - | Red | Red (pin 2) ; Green (pin3) |
| ø cable 4-8mm or ø cable 6.5-9.5mm | ø cable 4-8mm or ø cable 6.5-9.5mm | ø cable 4-8mm or ø cable 6.5-9.5mm | ø cable 4-8mm or ø cable 6.5-9.5mm |
| M3 L=32.5mm | M3 L=32.5mm | M3 L=32.5mm | M3 L=32.5mm |
| Iron+Zinc plated | Iron+Zinc plated | Iron+Zinc plated | Iron+Zinc plated |
| 0.5 N*m | 0.5 N*m | 0.5 N*m | 0.5 N*m |

Packaging

| | | | |
|-------------|-------------|-------------|-------------|
| 50pcs / box | 50pcs / box | 50pcs / box | 50pcs / box |
|-------------|-------------|-------------|-------------|

Other accessories options

See accessories section

Notes:

Connector available with different led colour
 Connector available with different led connection:
 Q8 circuit (Green pin 2; Red pin 3)
 Q1 circuit (Yellow pin 2; Green pin 3)