

Part number:

HYDROMA

HYDRAULICKÉ SYSTÉMY

**HIDROMA
SYSTEMS**

UKŁADY HYDRAULICZNE

HYDROMA

ГИДРАВЛИЧЕСКИЕ СИСТЕМЫ

**FCIP3
FCIM3****HOW TO ORDER
COME ORDINARE**

PUMP	TIPO	ROTATION	DISPLACEMENT	FLANGE	SHAFT	PORTS	DRAIN(*BIDIRECT.)	SEALS	COVERS
POMPA		ROTAZIONE	CILINDRATA	FLANGIA	ALBERO	PORTE	DRENAGGIO(*BIDIREZ.)	GUARNIZIONI	COPERCHI
FCIP	3	D	21.5	EURO	T0	E	E1	N	VN
		S	26	A	C0	FG	E6	N-TR	VM-E0/XXX
		R	30.5	B	C1	FG-KA	E7	V	VM-E1/XXX
			36		S1	FA		V-TR	VM-E0- NO TAR
			41.5		S2	FA-KA		H*	VM-E1- NO TAR
			46.5		S3	A			VM-VM-E0/XXX-VN- VN-E1
			50.5			AO			VN-VN-E1
			55.5						
			61						
			72						
			88						

*On request only on monodirectional pumps and motors
A richiesta solo su pompe e motori monodirezionali

PUMP	TIPO	ROTATION	DISPLACEMENT	FLANGE	SHAFT	PORTS	DRAIN(*BIDIRECT.)	SEALS	COVERS
POMPA		ROTAZIONE	CILINDRATA	FLANGIA	ALBERO	PORTE	DRENAGGIO(*BIDIREZ.)	GUARNIZIONI	COPERCHI
FCIM	3	D	21.5	EURO	T0	E	E1	N	VN
		S	26	A	C0	FG	E6	N-TR	VM-E0/XXX
		R	30.5	B	C1	FG-KA	E7	V	VM-E1/XXX
			36		S1	FA		V-TR	VM-E0- NO TAR
			41.5		S2	FA-KA		H*	VM-E1- NO TAR
			46.5		S3	A			VM-VM-E0/XXX-VN- VN-E1
			50.5			AO			VN-VN-E1
			55.5						
			61						
			72						

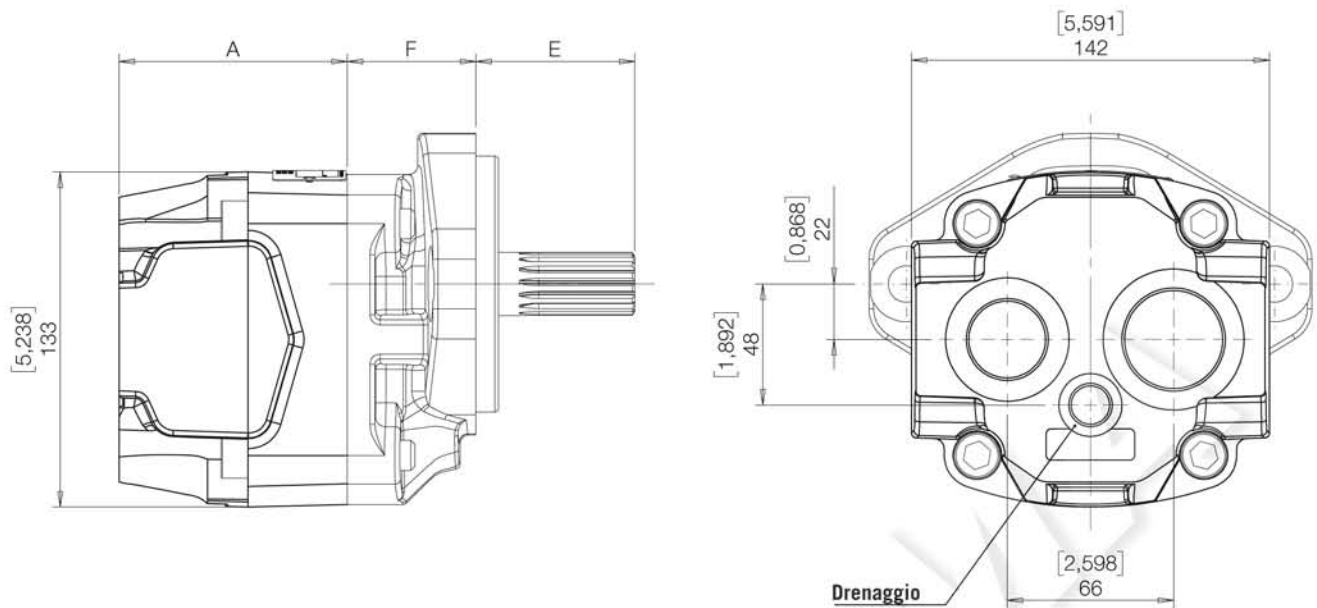
*On request only on monodirectional pumps and motors
A richiesta solo su pompe e motori monodirezionali

SEALS/GUARNIZIONI

NBR	N
NBR (high pressure in suction / alte pressioni in aspirazione)	N-TR
VITON	V
VITON (high pressure in suction / alte pressioni in aspirazione)	V-TR
HNBR (-30°C +110°C)*	H*

*Only upon request to our Technical Dept. and only on monodirectional pumps and motors
Solo su richiesta al nostro Uff. Tecnico e solamente su pompe e motori monodirezionali

MOTOR / MOTORE FCIM3

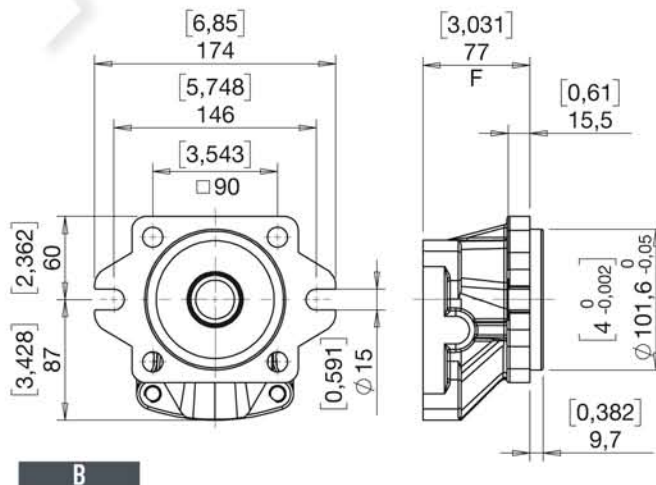
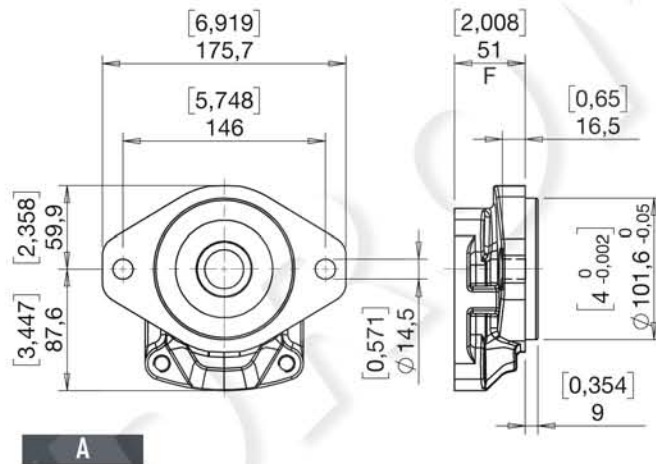
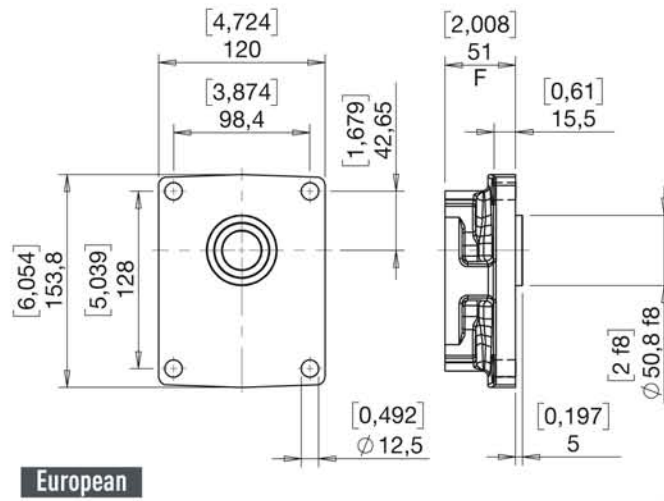


*Example drawing of motor with SAE flange and rear ports / Disegno esemplificativo di motore con flangia SAE e porte posteriori.

FCIM3	Displacement / Cilindrata		Cont. Press./Press. Cont.		Intermitt. Press. / Press. Intermitt.		Peak press./ Press. Picco		Rotat.Speed / Velocità di rotaz.		Mass / Massa		Dimens. A		Dimens. B		Dimens. C	
	cm ³	in ³	bar	psi	bar	psi	bar	psi	min ⁻¹	min ⁻¹	kg	lbs	mm	in	mm	in	mm	in
21.5	21.50	1.31	280	4061	300	4351	310	4496	3000	500	12.00	26.46	76.0	2.99	40.0	1.57	134	5.28
26	26.00	1.59	280	4061	300	4351	310	4496	3000	500	12.25	27.00	79.0	3.11	43.0	1.69	134	5.28
30.5	30.50	1.86	260	3771	280	4061	300	4351	3000	500	12.50	21.56	82.0	3.23	46.0	1.81	134	5.28
36	36.00	2.20	260	3771	280	4061	300	4351	3000	500	12.80	28.22	86.0	3.39	50.0	1.97	134	5.28
41.5	41.50	2.53	260	3771	270	3916	280	4061	3000	500	13.20	29.10	90.5	3.56	54.5	2.15	134	5.28
46.5	46.50	2.84	250	3626	270	3916	280	4061	3000	500	13.50	29.76	93.5	3.68	57.5	2.26	134	5.28
50.5	50.50	3.08	240	3481	250	3626	270	3916	2750	500	13.90	30.64	96.5	3.80	60.5	2.38	134	5.28
55.5	55.50	3.39	220	3191	230	3336	250	3626	2750	500	14.30	31.52	100.0	3.94	64.0	2.52	134	5.28
61	61.00	3.72	200	2901	210	3046	220	3191	2500	500	14.50	31.97	117.5	4.63	64.5	2.54	148	5.83
72	72.00	4.39	190	2756	210	3046	220	3191	2500	500	16.50	36.38	125.0	4.92	72.0	2.83	148	5.83

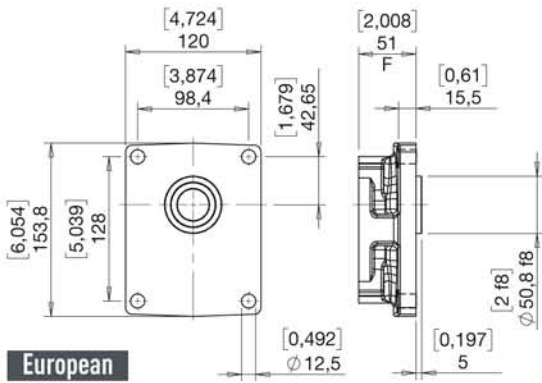


FLANGES OPTIONS / OPZIONI FLANGE

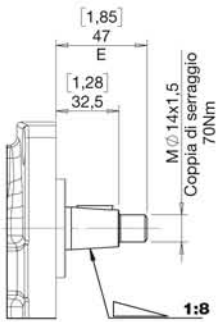


SHAFTS OPTIONS / OPZIONI ALBERI

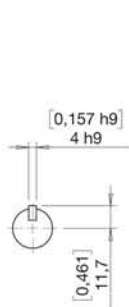
WITH EUROPEAN FLANGE / CON FLANGIA EUROPEA



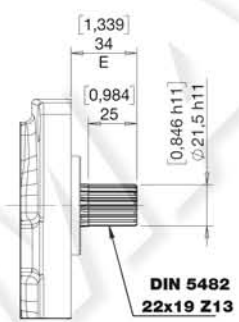
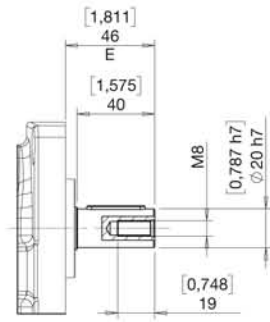
European



TO



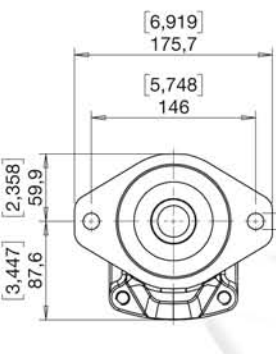
CO



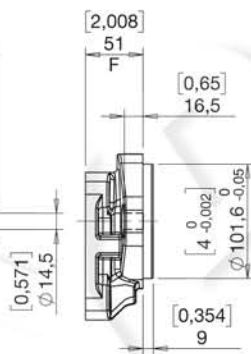
S3

DIN 5482
22x19 Z13

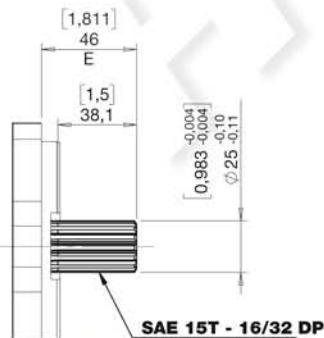
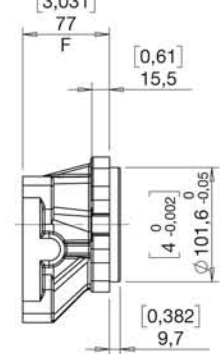
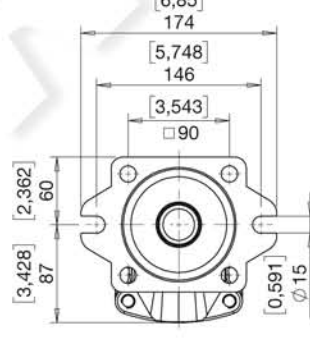
WITH "A" AND "B" FLANGE / CON FLANGIA "A" E "B"



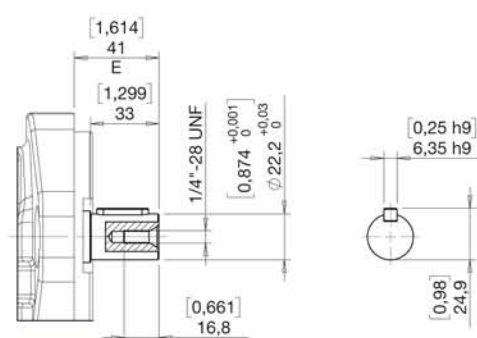
A



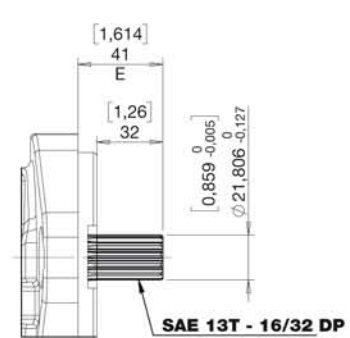
B



S2



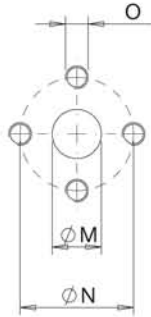
C1



S1

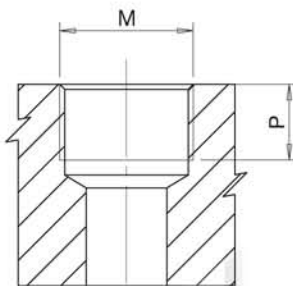
PORTS OPTIONS / OPZIONI PORTE

WITH EUROPEAN FLANGE / CON FLANGIA EUROPEA



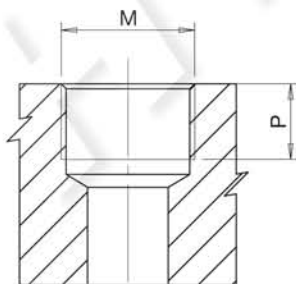
E

Tipo	M		N		O	
	mm	in	mm	mm	Nm	
E5	20	0,79	40	1,57	M8	17
E7	27	1,06	51	2,01	M10	38
E8	34	1,34	62	2,44	M10	38
E9	34	1,34	62	2,44	M12	70



FG

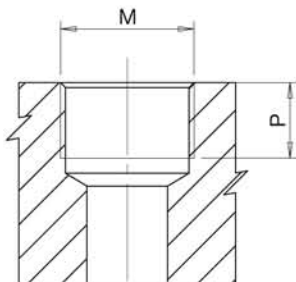
Tipo	M		O	
	mm	in	Nm	
FG6	PORT ISO 1179-1-G3/4	90	20	0,79
FG7	PORT ISO 1179-1-G 1	160	21	0,83
FG8	PORT ISO 1179-1-G 1 1/4	200	21	0,83
FG9	PORT ISO 1179-1-G 1 1/2	210	25	0,98
FG0	PORT ISO 1179-1-G 2	210	32	1,26



FG-KA

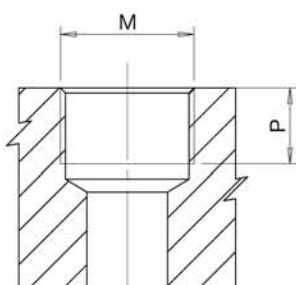
Tipo	M		P	
	mm	in	Nm	
FG-KA6	PORT ISO 1179-1-G3/4	90	19	0,75
FG-KA7	PORT ISO 1179-1-G 1	160	21	0,83
FG-KA8	PORT ISO 1179-1-G 1 1/4	200	24	0,94

DRAIN OPTIONS / OPZIONI DRENAGGI



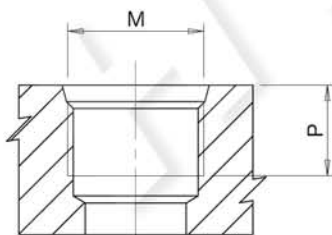
E1

Tipo	M		P	
	mm	in	mm	in
E1	PORT ISO 1179-1-G 3/8		12	0,47



E6

Tipo	M		P	
	mm	in	mm	in
E6	PORT ISO 6149 - 1 - M16x1,5		14	0,55



E7

Tipo	Dim.	M		P	
		mm	in	mm	in
E7	3/8"	PORT ISO 11926-1 - 9/16-18		13	0,51