

Part number:

**HYDROMA**

HYDRAULICKÉ SYSTÉMY

**HIDROMA  
SYSTEMS**

UKŁADY HYDRAULICZNE

**HYDROMA**

ГИДРАВЛИЧЕСКИЕ СИСТЕМЫ

**FCIP3  
FCIM3****HOWTOORDER  
COMEORDINARE**

PUMP	TYPE	FLANGE	ROTATION	DISPLACEMENT	SHAFT	PORTS	SEALS	DRAIN(*BIDIRECT.)	OPT. VALVES
POMPA	TIPO	FLANGIA	ROTAZIONE	CILINDRATA	ALBERO	PORTE	GUARNIZIONI	DRENAGGIO(*BIDIREZ.)	OPZ. VALVOLE
FCIP	3	OMISSIS	D	21.5	T0	E	N	E1	VN
		A	S	26	C0	FG	N-TR	E6	VM-E0/XXX
		B	R	30.5	C1	FG-KA	V	E7	VM-E1/XXX
				36	S1	FA	V-TR		VM-E0- NO TAR
				41.5	S2	FA-KA	H*		VM-E1- NO TAR
				46.5	S3	A			VM-VM-E0/XXX-VN- VN-E1
				50.5		AM			VN-VN-E1
				55.5					
				61					
				72					
				88					

\*On request only on monodirectional pumps and motors  
A richiesta solo su pompe e motori monodirezionali

PUMP	TYPE	FLANGE	ROTATION	DISPLACEMENT	SHAFT	PORTS	SEALS	DRAIN(*BIDIRECT.)	OPT. VALVES
POMPA	TIPO	FLANGIA	ROTAZIONE	CILINDRATA	ALBERO	PORTE	GUARNIZIONI	DRENAGGIO(*BIDIREZ.)	OPZ. VALVOLE
FCIM	3	OMISSIS	D	21.5	T0	E	N	E1	VN
		A	S	26	C0	FG	N-TR	E6	VM-E0/XXX
		B	R	30.5	C1	FG-KA	V	E7	VM-E1/XXX
				36	S1	FA	V-TR		VM-E0- NO TAR
				41.5	S2	FA-KA	H*		VM-E1- NO TAR
				46.5	S3	A			VM-VM-E0/XXX-VN- VN-E1
				50.5		AM			VN-VN-E1
				55.5					
				61					
				72					

\*On request only on monodirectional pumps and motors  
A richiesta solo su pompe e motori monodirezionali



Flanges-Ports Combinations  
Combinazioni Flange-Porte

PORTS/PORTE	FLANGES / FLANGE		
	Euro	SAE-A	SAE-B
E	-	x	-
FG	x	x	x
FG-KA	x	x	x
FA	x	-	x
FA-KA	x	-	x
A	x	-	x
AM	x	-	x

Ports-Displacement combinations for Unidirectional Pumps and Motors  
Combinazioni Porte-Cilindrate per Pompe e Motori Unidirezionali

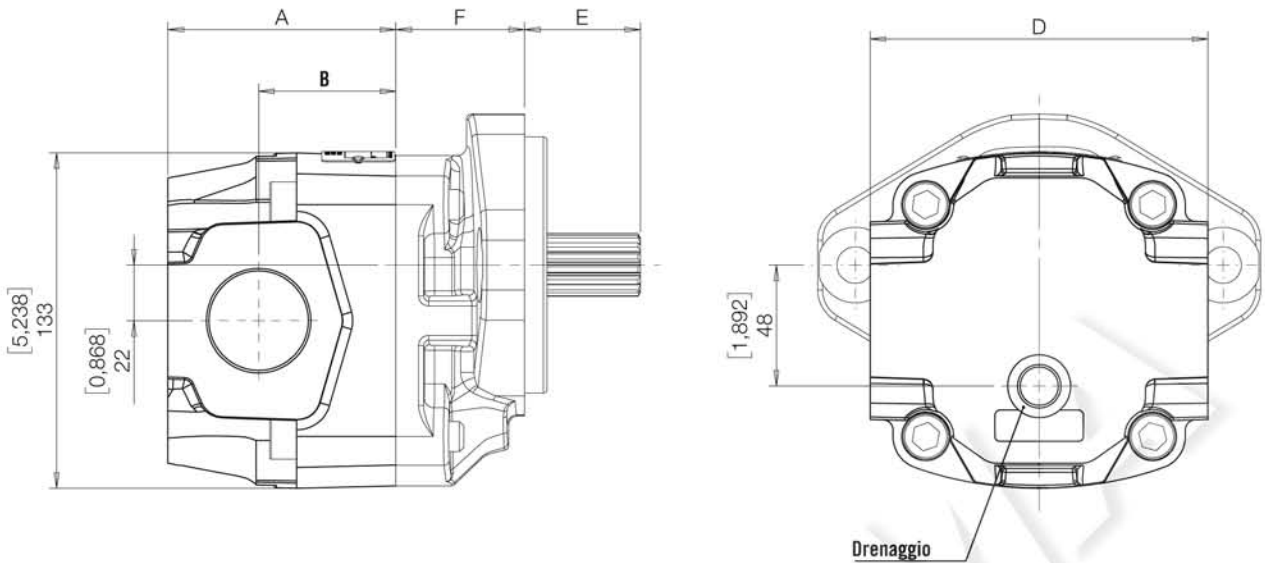
PORTS/PORTE	DISPLACEMENT (cc) / CILINDRATE (cc)			
	21,5-26-30,5-36 INLET / OUTLET	41,5-46,5-50,5-55,5 INLET / OUTLET	61-72 INLET / OUTLET	88 INLET / OUTLET
E	E7-E5	E7-E7	E8-E7	E9-E8
FG	FG7-FG6	FG8-FG7	FG9-FG8	FG0-FG9
FG-KA	FG7-FG6-KA	FG8-FG7-KA	-	-
FA	FA7-FA6	FA8-FA7	FA9-FA8	FA9-FA8
FA-KA	FA7-FA6-KA	FA8-FA7-KA	-	-
A	A7-A6	A8-A7	A9-A8	A0-A9
AM	AM7-AM6	AM8-AM7	AM9-AM8	AM0-AM9

Ports-Displacement combinations for Bidirectional Pumps and Motors  
Combinazioni Porte-Cilindrate per Pompe e Motori Bidirezionali

PORTS/PORTE	DISPLACEMENT (cc) / CILINDRATE (cc)			
	21,5-26-30,5 INLET / OUTLET	36-41,5-46,5-50,5-55,5-61 INLET / OUTLET	72 INLET / OUTLET	DRAIN / DRENAGGIO
E	E5-E5	E7-E7	E8-E8	E6
FG	FG6-FG6	FG7-FG7	FG8-FG8	E1
FG-KA	FG6-FG6-KA	-	-	E1
FA	FA6-FA6	FA7-FA7	FA8-FA8	E7
FA-KA	FA6-FA6-KA	FA7-FA7-KA	FA8-FA8-KA	E7
A	A6-A6	-	-	E7
AM	AM6-AM6	AM7-AM7	AM8-AM8	E7



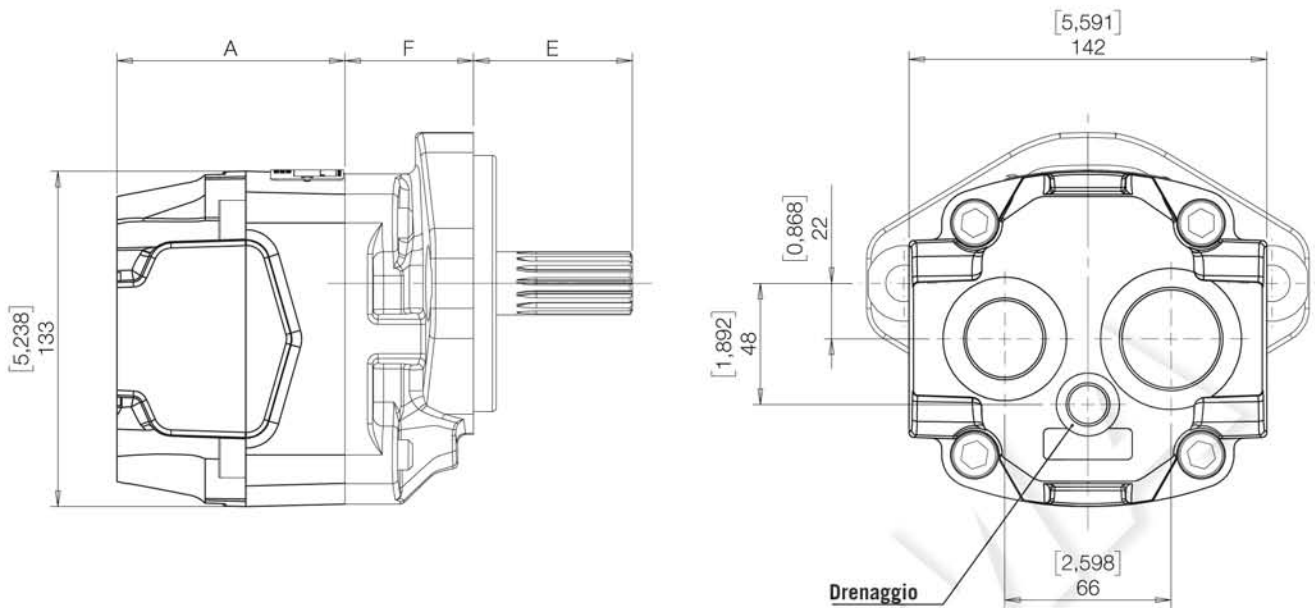
# PUMP / POMPA FCIP3



\*Example drawing of pump with SAE flange / Disegno esemplificativo di pompa con flangia SAE

FCIP3	Displacement / Cilindrata		Cont. Press./Press. Cont.		Intermitt. Press. / Press. Intermitt.		Peak press. / Press. Picco		Rotat.Speed / Velocità di rotaz.		Mass / Massa		Dimens. A		Dimens. B		Dimens. C	
	cm <sup>3</sup>	in <sup>3</sup>	bar	psi	bar	psi	bar	psi	min <sup>-1</sup>	min <sup>-1</sup>	kg	lbs	mm	in	mm	in	mm	in
21.5	21.50	1.31	280	4061	300	4351	310	4496	3000	500	12.00	26.46	76.0	2.99	40.0	1.57	134	5.28
26	26.00	1.59	280	4061	300	4351	310	4496	3000	500	12.25	27.00	79.0	3.11	43.0	1.69	134	5.28
30.5	30.50	1.86	260	3771	280	4061	300	4351	3000	500	12.50	21.56	82.0	3.23	46.0	1.81	134	5.28
36	36.00	2.20	260	3771	280	4061	300	4351	3000	500	12.80	28.22	86.0	3.39	50.0	1.97	134	5.28
41.5	41.50	2.53	260	3771	270	3916	280	4061	3000	500	13.20	29.10	90.5	3.56	54.5	2.15	134	5.28
46.5	46.50	2.84	250	3626	270	3916	280	4061	3000	500	13.50	29.76	93.5	3.68	57.5	2.26	134	5.28
50.5	50.50	3.08	240	3481	250	3626	270	3916	2750	500	13.90	30.64	96.5	3.80	60.5	2.38	134	5.28
55.5	55.50	3.39	220	3191	230	3336	250	3626	2750	500	14.30	31.52	100.0	3.94	64.0	2.52	134	5.28
61	61.00	3.72	200	2901	210	3046	220	3191	2500	500	14.50	31.97	117.5	4.63	64.5	2.54	148	5.83
72	72.00	4.39	190	2756	210	3046	220	3191	2500	500	16.50	36.38	125.0	4.92	72.0	2.83	148	5.83
88	88.00	5.37	180	2611	190	2756	200	2901	2500	500	17.20	37.92	136.0	5.35	83.0	3.27	148	5.83

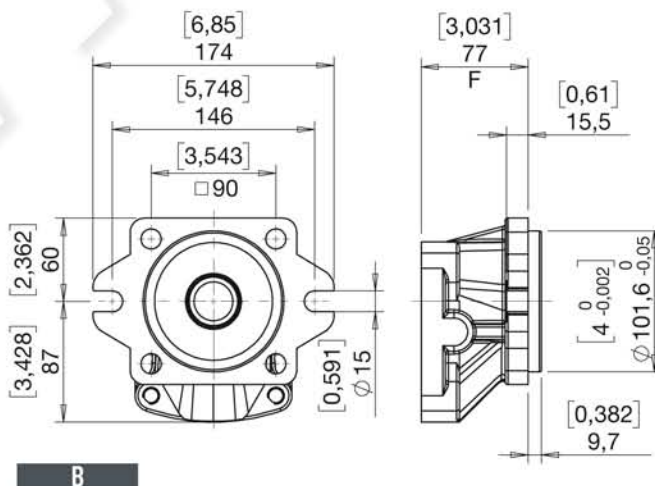
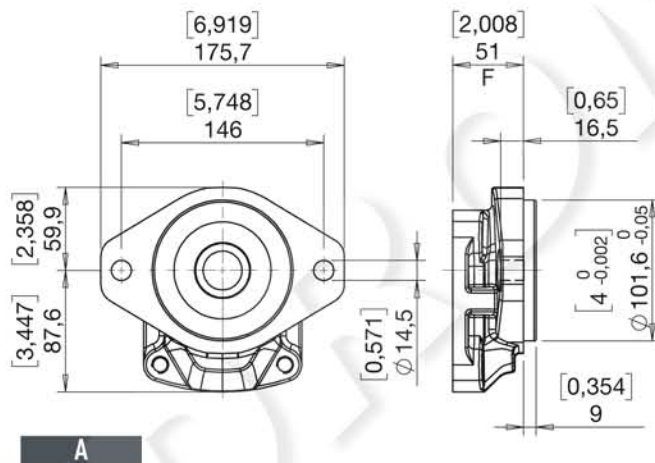
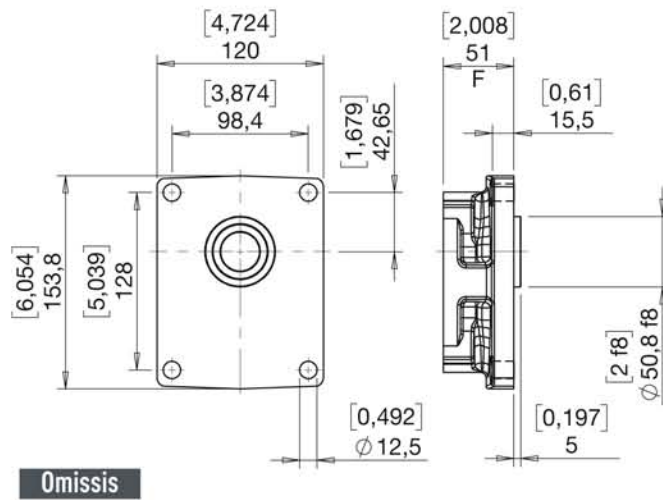
# MOTOR / MOTORE FCIM3



\*Example drawing of motor with SAE flange and rear ports / Disegno esemplificativo di motore con flangia SAE e porte posteriori.

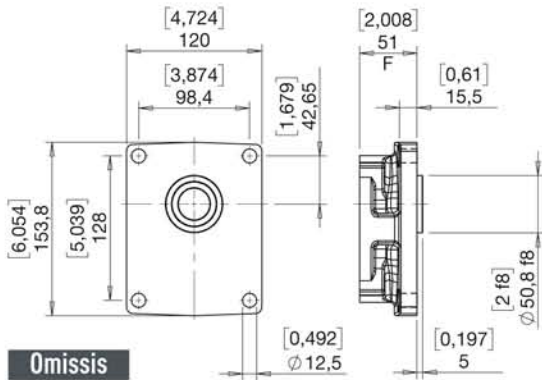
FCIM3	Displacement / Cilindrata		Cont. Press./Press. Cont.		Intermitt. Press. / Press. Intermitt.		Peak press./ Press. Picco		Rotat.Speed / Velocità di rotaz.		Mass / Massa		Dimens. A		Dimens. B		Dimens. C	
	cm <sup>3</sup>	in <sup>3</sup>	bar	psi	bar	psi	bar	psi	min <sup>-1</sup>	min <sup>-1</sup>	kg	lbs	mm	in	mm	in	mm	in
21.5	21.50	1.31	280	4061	300	4351	310	4496	3000	500	12.00	26.46	76.0	2.99	40.0	1.57	134	5.28
26	26.00	1.59	280	4061	300	4351	310	4496	3000	500	12.25	27.00	79.0	3.11	43.0	1.69	134	5.28
30.5	30.50	1.86	260	3771	280	4061	300	4351	3000	500	12.50	21.56	82.0	3.23	46.0	1.81	134	5.28
36	36.00	2.20	260	3771	280	4061	300	4351	3000	500	12.80	28.22	86.0	3.39	50.0	1.97	134	5.28
41.5	41.50	2.53	260	3771	270	3916	280	4061	3000	500	13.20	29.10	90.5	3.56	54.5	2.15	134	5.28
46.5	46.50	2.84	250	3626	270	3916	280	4061	3000	500	13.50	29.76	93.5	3.68	57.5	2.26	134	5.28
50.5	50.50	3.08	240	3481	250	3626	270	3916	2750	500	13.90	30.64	96.5	3.80	60.5	2.38	134	5.28
55.5	55.50	3.39	220	3191	230	3336	250	3626	2750	500	14.30	31.52	100.0	3.94	64.0	2.52	134	5.28
61	61.00	3.72	200	2901	210	3046	220	3191	2500	500	14.50	31.97	117.5	4.63	64.5	2.54	148	5.83
72	72.00	4.39	190	2756	210	3046	220	3191	2500	500	16.50	36.38	125.0	4.92	72.0	2.83	148	5.83

# FLANGES OPTIONS / OPZIONI FLANGE

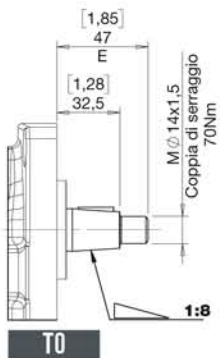


# SHAFTS OPTIONS / OPZIONI ALBERI

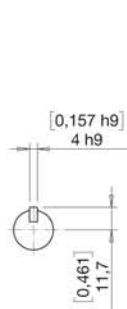
## WITH EUROPEAN FLANGE / CON FLANGIA EUROPEA



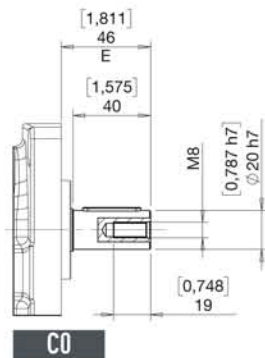
Omissis



T0



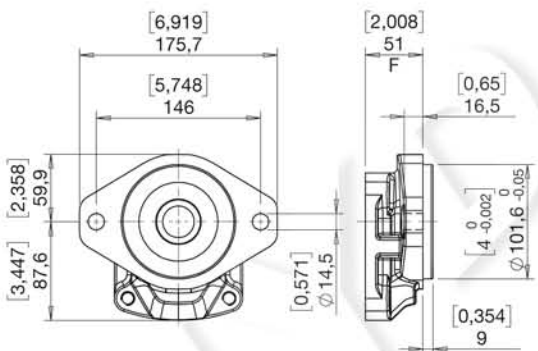
C0



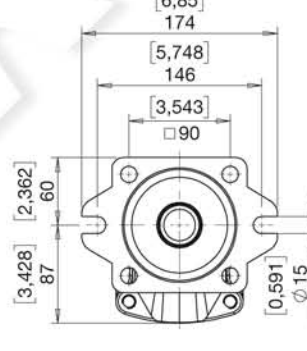
S3

DIN 5482  
22x19 Z13

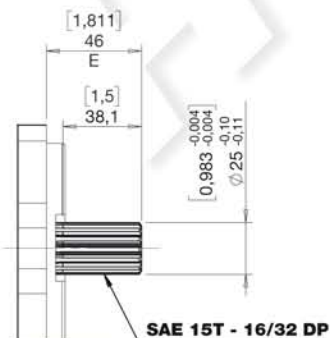
## WITH "A" AND "B" FLANGE / CON FLANGIA "A" E "B"



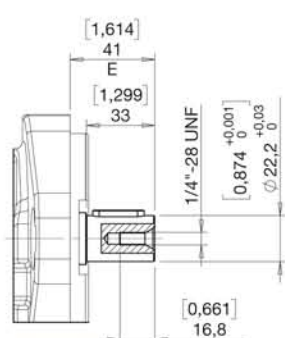
A



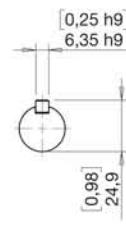
B



S2



C1



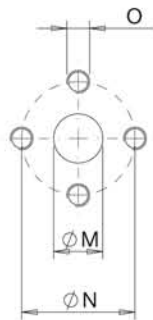
S1

SAE 15T - 16/32 DP

SAE 13T - 16/32 DP

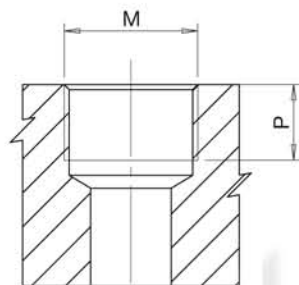
# PORTS OPTIONS / OPZIONI PORTE

## WITH EUROPEAN FLANGE / CON FLANGIA EUROPEA



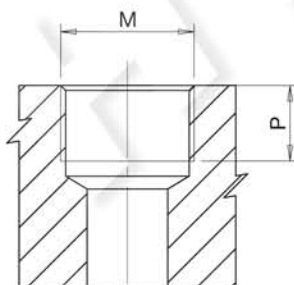
**E**

Tipo	M		N		O	
	mm	in	mm	in	Nm	
E5	20	0,79	40	1,57	M8	17
E7	27	1,06	51	2,01	M10	38
E8	34	1,34	62	2,44	M10	38
E9	34	1,34	62	2,44	M12	70



**FG**

Tipo	M	Nm	O	
			mm	in
FG6	PORT ISO 1179-1-G3/4	90	20	0,79
FG7	PORT ISO 1179-1-G 1	160	21	0,83
FG8	PORT ISO 1179-1-G 1 1/4	200	21	0,83
FG9	PORT ISO 1179-1-G 1 1/2	210	25	0,98
FG0	PORT ISO 1179-1-G 2	210	32	1,26

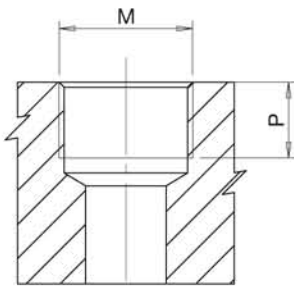


**FG-KA**

Tipo	M	Nm	P	
			mm	in
FG6-KA	PORT ISO 1179-1-G3/4	90	19	0,75
FG7-KA	PORT ISO 1179-1-G 1	160	21	0,83
FG8-KA	PORT ISO 1179-1-G 1 1/4	200	24	0,94

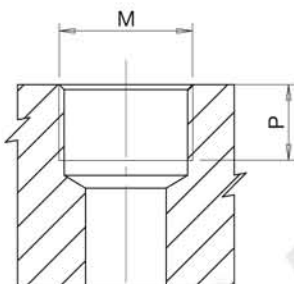
# PORTS OPTIONS / OPZIONI PORTE

WITH "A" AND "B" FLANGE / CON FLANGIA "A" E "B"



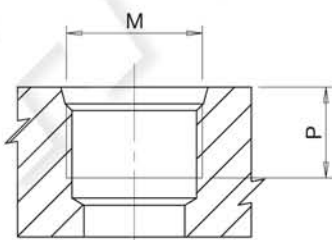
FG

Tipo	M	O	
		Nm	mm in
FG6	PORT ISO 1179-1-G3/4	90	20 0,79
FG7	PORT ISO 1179-1-G 1	160	21 0,83
FG8	PORT ISO 1179-1-G 1 1/4	200	21 0,83
FG9	PORT ISO 1179-1-G 1 1/2	210	25 0,98
FG0	PORT ISO 1179-1-G 2	210	32 1,26



FG-KA

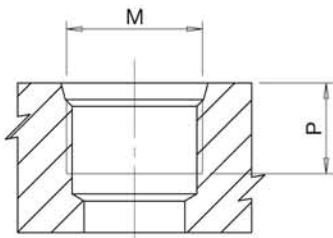
Tipo	M	P	
		Nm	mm in
FG-KA6	PORT ISO 1179-1-G3/4	90	19 0,75
FG-KA7	PORT ISO 1179-1-G 1	160	21 0,83
FG-KA8	PORT ISO 1179-1-G 1 1/4	200	24 0,94



FA

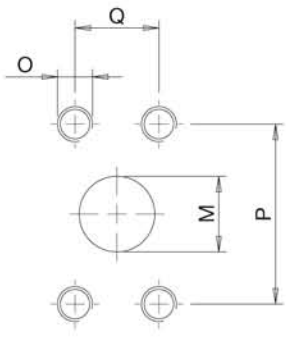
Tipo	Dimensione	M	P	
			Nm	mm in
FA6	3/4'	PORT ISO 11926-1 - 1 1/16-12	90	20 0,79
FA7	1'	PORT ISO 11926-1 - 1 5/16-12	160	20 0,79
FA8	1 1/4'	PORT ISO 11926-1 - 1 5/8-12	200	20 0,79
FA9	1 1/2'	PORT ISO 11926-1 - 1 7/8-12	200	20 0,79





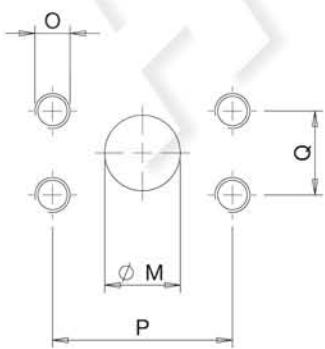
**FG-KA**

Tipo	Dimensione	M		P	
		Nm	mm	in	
FA6-KA	3/4'	PORT ISO 11926-1 - 1 1/16-12	90	20	0,79
FA7-KA	1'	PORT ISO 11926-1 - 1 5/16-12	160	20	0,79
FA8-KA	1 1/4'	PORT ISO 11926-1 - 1 5/8-12	200	20	0,79



**A**

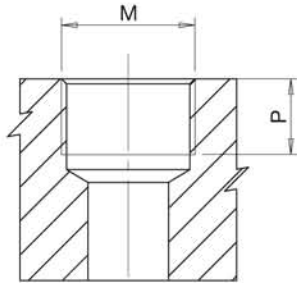
Tipo	Dim.	M		P		Q		O	
		mm	in	mm	in	mm	in		Nm
A6	3/4'	20	0,79	47,6	1,87	22,2	0,87	3/8-16 UNC-2B	38
A7	1'	27	1,06	52,4	2,60	26,2	1,03	3/8-16 UNC-2B	38
A8	1 1/4'	34	1,34	58,7	2,31	30,2	1,19	7/16-14 UNC-2B	45
A9	1 1/2'	39	1,54	69,9	2,74	35,7	1,41	1/2-13 UNC-2B	70
A0	2'	51	2,00	77,8	3,06	42,9	1,69	1/2-13 UNC-2B	70



**AM**

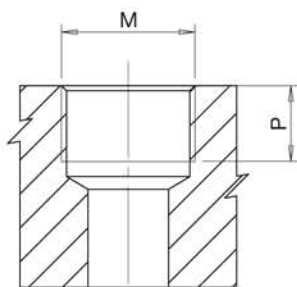
Tipo	Dim.	M		P		Q		O	
		mm	in	mm	in	mm	in		Nm
AM6	3/4'	20	0,79	47,6	1,87	22,2	0,87	M10	38
AM7	1'	25,4	1	52,4	2,60	26,2	1,03	M10	38
AM8	1 1/4'	30,5	1,2	58,7	2,31	30,2	1,19	M10	38
AM9	1 1/2'	39	1,54	69,9	2,75	35,7	1,41	M12	70
AM0	2'	51	2,01	77,8	3,06	42,9	1,69	M12	70

# DRAIN OPTIONS / OPZIONI DRENAGGI



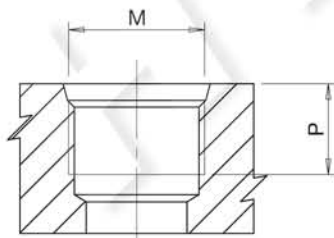
**E1**

Tipo	M	P		
		Nm	mm	in
E1	PORT ISO 1179-1-G 3/8	38	12	0,47



**E6**

Tipo	M	P		
		Nm	mm	in
E6	PORT ISO 6149 - 1 - M16x1,5	35	14	0,55



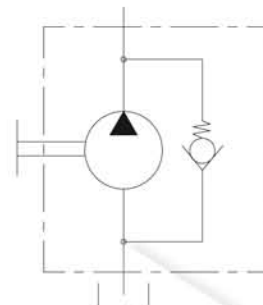
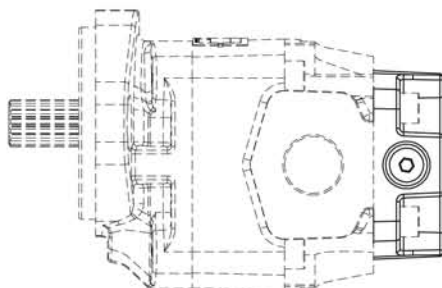
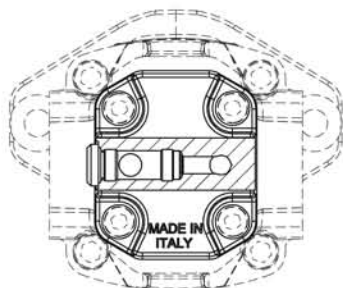
**E7**

Tipo	Dim.	M	P		
			Nm	mm	in
E7	3/8"	PORT ISO 11926-1 - 9/16-18	25	13	0,51

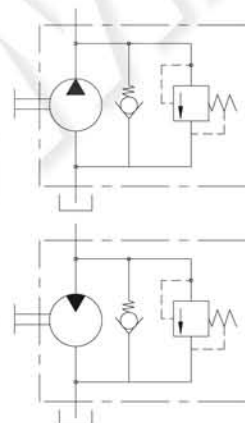
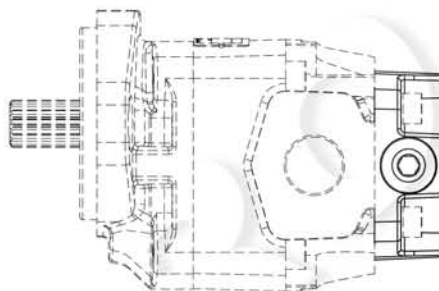
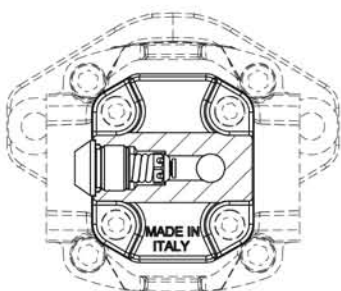


# BUILT-IN VALVES OPTIONS

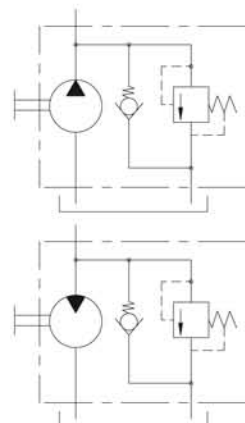
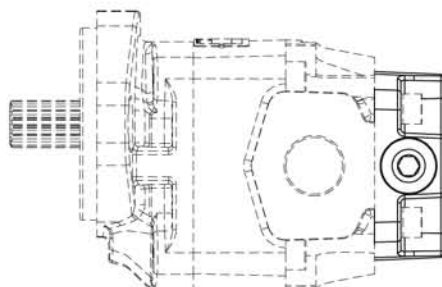
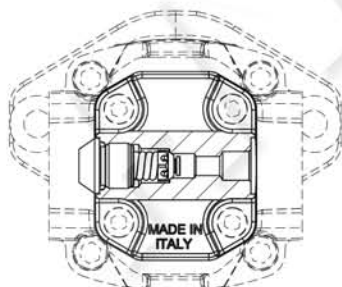
## OPZIONI CON VALVOLE INTEGRATE



**VN - Check valve / Valvola unidirezionale**



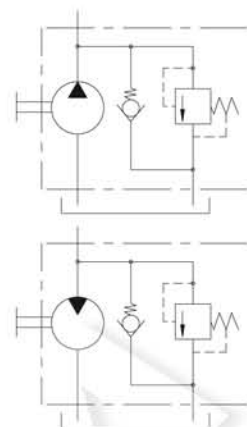
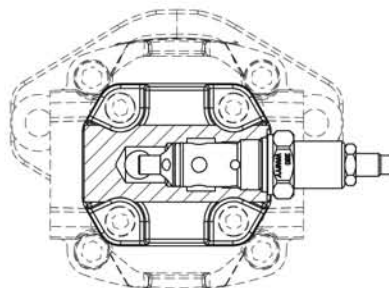
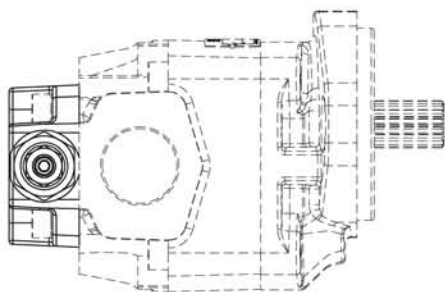
**VM-E0/XXX - Relief valve with internal drain / Valvola di massima con drenaggio interno**



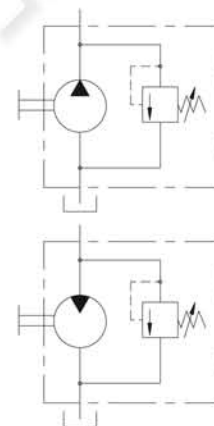
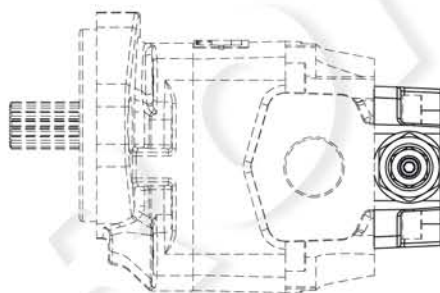
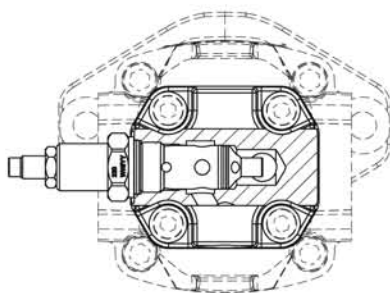
**VM-E1/XXX - Relief valve with external drain / Valvola di massima con drenaggio esterno**

# BUILT-IN VALVES OPTIONS

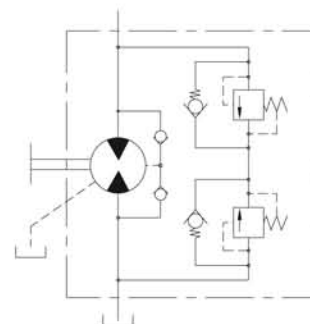
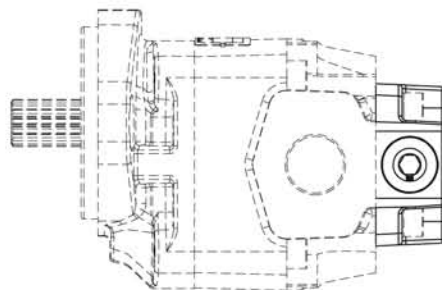
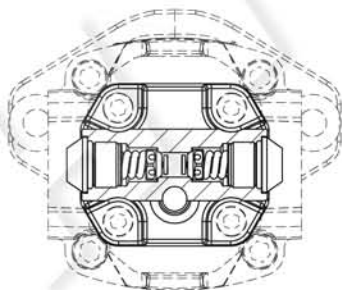
## OPZIONI CON VALVOLE INTEGRATE



**VM-E0-NO TAR - Adjustable relief valve with internal drain / Valvola di massima regolabile con scarico interno**



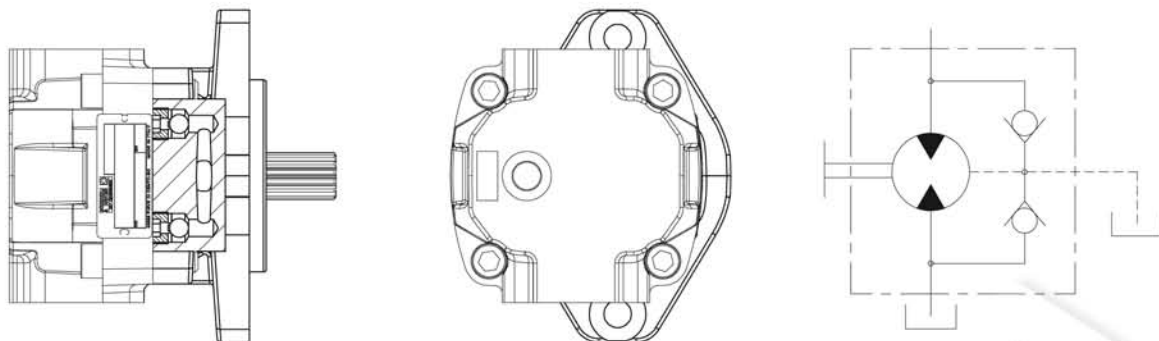
**VM-E1-NO TAR - Adjustable relief valve with external drain / Valvola di massima regolabile con scarico esterno**



**VM-VM-E0/XXX-VN-VN-E1 - With double relief valve internal drainage and anticavitation external drainage**  
 Con doppia valvola di massima drenaggio interno e anticavitazione drenaggio esterno

# BUILT-IN VALVES OPTIONS

## OPZIONI CON VALVOLE INTEGRATE



VN-VN-E1 - With double anticavitation valve external drainage / Con doppia valvola anticavitazione drenaggio esterno

