

Part number:

**HYDROMA**

HYDRAULICKÉ SYSTÉMY

**HIDROMA**  
SYSTEMS

UKŁADY HYDRAULICZNE

**HYDROMA**

ГИДРАВЛИЧЕСКИЕ СИСТЕМЫ

## HYDRAULIC ACCUMULATORS TYPE ELM

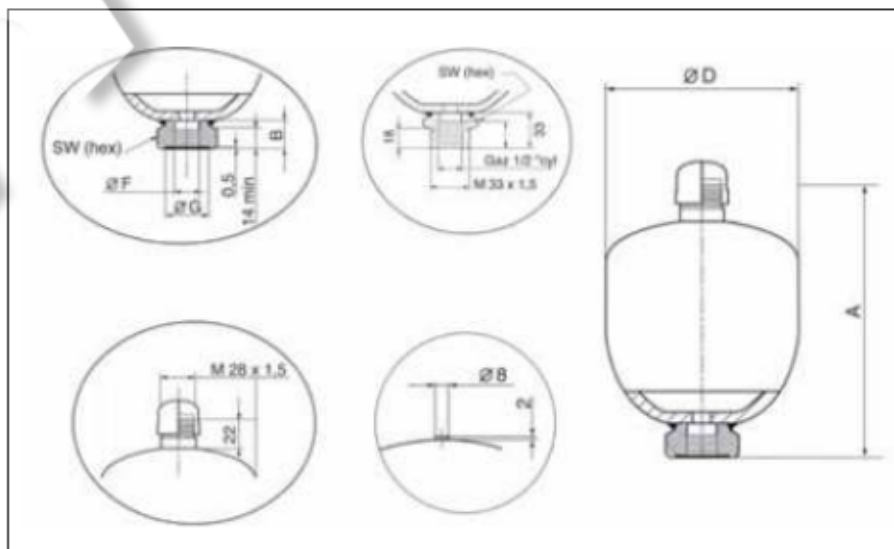
Rev. 02/2018

Type	Effective Gas Vol. Litres	Work pressure bar	Execution form	Max Precharge pressure bar	bar ratio P2/P0	Max Pressure amplitude P2/P1	Weight in kg	Dimensions in mm					Oil Connection			
								A max	B	SW	D	G	F	H	Clamp	Lock nut type
ELM 0.075-250/00/AF*	0.075	250	AF	130	8	210	0.7	112	20	32	64	29	G½	-	-	-
ELM 0.16-250/00/AF*	0.16	250	AF	130	6	210	1	120	20	32	75	29	G½	-	-	-
ELM 0.32-210/85/AF*	0.32	210	AF	130	8	140	1.4	135	20	32	92	29	G½	-	E95	-
ELM 0.50-210/85/AF*	0.50	210	AF	130	8	175	2	153	22	41	107	34	G½	-	E106	-
ELM 0.50-210/85/CF*	0.50	210	CF	130	8	175	2	164	33	41	107	-	G½	M33x1.5	E106	M33
ELM 0.75-210/85/AF*	0.75	210	AF	130	8	175	2.6	167	22	41	122	34	G½	-	E114	-
ELM 0.75-210/85/CF*	0.75	210	CF	130	8	175	2.6	178	33	41	122	-	G½	M33x1.5	E114	M33
ELM 0.75-350/85/AF*	0.75	350	AF	130	8	150	4	174	22	41	128	34	G½	-	E136	-
ELM 0.75-350/85/CF*	0.75	350	CF	130	8	150	4	185	33	41	128	-	G½	M33x1.5	E136	M33
ELM 1-210/85AF*	1	210	AF	130	8	170	3.5	182	22	41	136	34	G½	-	E136	-
ELM 1-210/85/CF*	1	210	CF	130	8	170	3.5	192	33	41	136	-	G½	M33x1.5	E136	M33
ELM 1.4-140/90/AF	1.40	140	AF	130	8	120	4.1	192	22	41	147	34	G½	-	E155	-
ELM 1.4-140/90/CF	1.40	140	CF	130	8	120	4.1	203	33	41	147	-	G½	M33x1.5	E155	M33
ELM 1.4-210/90/AF	1.40	210	AF	130	8	120	4.2	192	22	41	148	34	G½	-	E155	-
ELM 1.4-210/90/CF	1.40	210	CF	130	8	120	4.2	202	33	41	148	-	G½	M33x1.5	E155	M33
ELM 1.4-250/90/AF	1.40	250	AF	130	8	140	5.5	196	22	41	152	34	G½	-	E155	-
ELM 1.4-250/90/CF	1.40	250	CF	130	8	140	5.5	207	33	41	152	-	G½	M33x1.5	E155	M33
ELM 1.4-350/90/AF	1.40	350	AF	130	8	150	7	199	22	41	156	34	G½	-	E155	-
ELM 1.4-350/90/CF	1.40	350	CF	130	8	150	7	221	44	44	156	-	G½	M33x1.5	E155	M33
ELM 2-100/90/AF	2	100	AF	90	8	80	3.5	241	22	41	145	34	G½	-	E155	-
ELM 2-250/90/AF	2	250	AF	130	8	140	9.5	252	22	41	156	33	G¾	-	E155	-
ELM 2-350/90/AF	2	350	AF	130	8	200	9.5	252	22	41	156	33	G¾	-	E180	-
ELM 2-350/90/CF	2	350	CF	130	8	200	9.5	270	40	50	156	-	G¾	M45x1.5	E180	M45
ELM 2.8-250/90/AF	2.80	250	AF	130	6	140	10	269	20	41	168	33	G¾	-	E180	-
ELM 2.8-350/90/AF	2.80	350	AF	130	6	200	14.3	265	23	55	180	34	G¾	-	E180	-
ELM 2.8-350/90/CF	2.80	350	CF	130	6	200	14.3	286	21	55	180	-	G¾	M45x1.5	E180	M45
ELM 3.5-250/90/AF	3.50	250	AF	130	4	140	11	314	20	41	168	33	G¾	-	E180	-
ELM 3.5-350/90/AF	3.50	350	AF	130	4	200	16	305	23	55	180	34	G¾	-	E180	-
ELM 3.5-350/90/CF	3.50	350	CF	130	4	200	16	326	26	55	180	-	G¾	M45x1.5	E180	M45

\* According to PED, article 3.3

†) Stainless steel version

Dimensions are in mm and subject to manufacture tolerance.

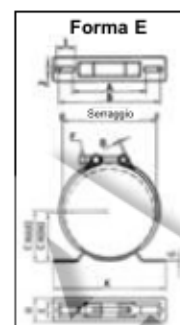


# HYDRAULIC ACCUMULATORS TYPE ELM

## Clamps

Type	Form	Recommended Min/max Diameter	Dimensions in mm											Tightening torque N/m	
			A	B	C		D	E	F	G	H	I	J		K
					Min	Max									
E95	E	87/97	88	140	61.5	66.5	1.5	28	M8x75	3	40	35	9	210	7
E106	E	99/109	88	140	68	73	1.5	28	M8x75	3	40	35	9	210	7
E114	E	112/124	88	140	73	78	1.5	28	M8x75	3	40	35	9	210	7
E136	E	128/138	88	140	80	85	1.5	28	M8x75	3	40	35	9	210	7
E155	E	146/157	137	189	81	86.5	1.7	30	M10x80	3	45	35	9	210	10.5
E168	E	166/176	137	189	92	96	1.7	30	M10x80	3	45	35	9	210	10.5
E180	E	178/184	137	189	97	100	2	35	M10x80	4	65	35	9	210	

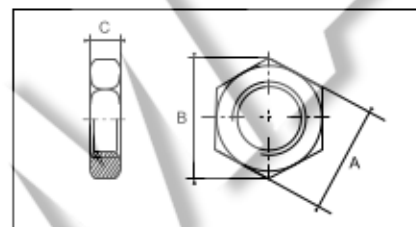
Above dimensions are in mm and are subject to manufacturing tolerances



## Lock-nut

Type	Pitch	A	B	C
M33	1.5	50	57.5	10
M45	1.5	70	80.8	10

These accessories are designed so that the accumulator can be securely attached in all configurations.



## Universal pressure checker / Pressurizer Type VGU

The VGU universal pressure checker/pressurizer is the instrument definitely needed to check nitrogen filling pressure and to fill and vent the nitrogen for all accumulators on the market up to a maximum working pressure of 340 bar. This device is screwed onto the accumulator valve and connected to the nitrogen source with a hose.

If the nitrogen pressure is only to be checked or reduced, this connection hose is not necessary. The unit is delivered in a standard version in a case containing:

- VGU universal pressure checker/pressurizer (M 28x1,50 outlet)
- Manometer kit 0 25 bar
- Manometer kit 0 250 bar
- Adapters for connection to a pressurization valves (7/8" - 5/8" - Vg8)
- 2,5 mt long hose, for connection to a source nitrogen
- 6 mm A/F allen wrench
- Spare seal kit
- Operating instructions in different languages



Notes: it can be supplied with the following on request: Manometer kit with a multiple-graduation scale  
Adapter for foreign nitrogen cylinders (indicate country)  
Flexible hose with a different length

### Technical Characteristics

Maximum working pressure:	340 bar
Accumulator connection:	7/8" 14 UNF - 5/8" 18 UNF - 8V1 - M 28x1,5 - (Allen 6)
Flexible hose:	Approximately 2,5 mt long fitted with a G 1/4" Cyl. Female adapter at each end for connection to the pressure source and fitted to hose.
Connection to nitrogen cylinder:	Nut $\varnothing$ 21,7 x 1,814 SI, with a nitrogen source. Join-seal G 1/4" cyl.
Manometers:	$\varnothing$ 63 mm (glycerin-bath type) with G1/4" cyl. Rear outlet, fitted with a direct connection adapter for connection to a mininess connector. Two units scale 0+25 and 0+250 bar, with 1,6% accuracy. Other graduations on request