

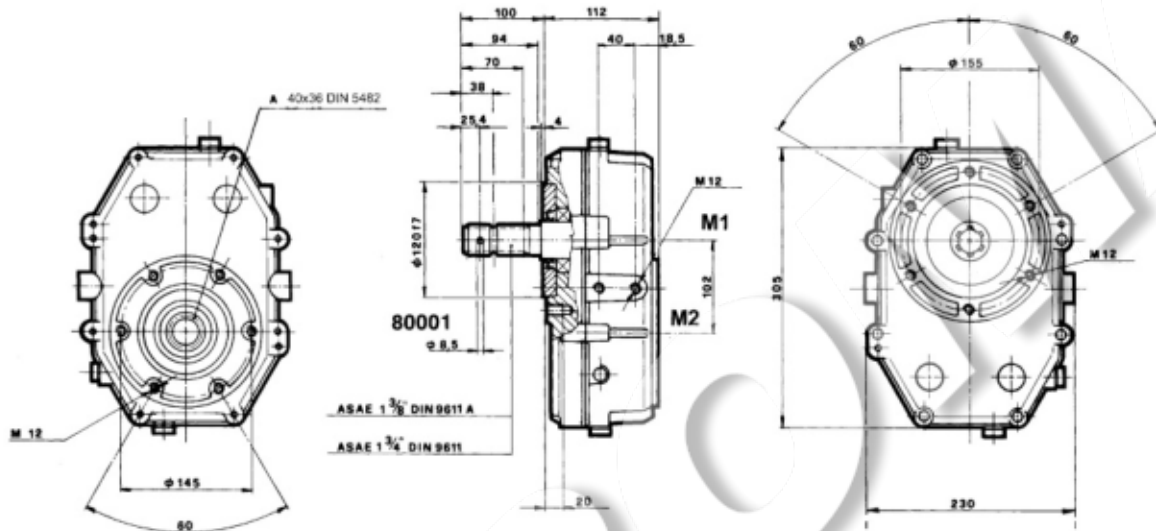
Part number:

**HYDROMA**  
HYDRAULICKÉ SYSTÉMY

**HIDROMA**  
SYSTEMS  
UKŁADY HYDRAULICZNE

**HYDROMA**  
ГИДРАВЛИЧЕСКИЕ СИСТЕМЫ

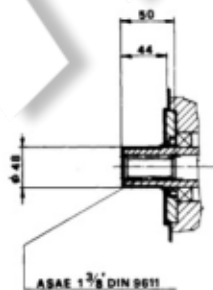
## SERIES 80000 PTO GEARBOX PUMP GROUP 3.5 • 36KW



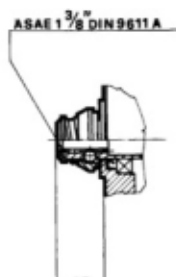
MAX OIL LEVEL 1 LITRE

M1 MAXIMUM CONTINUOUS TORQUE OF THE PTO GEARBOX (Input side daNm)	M2 MAXIMUM TORQUE OF THE PTO GEARBOX (Output side daNm)	N1 TRACTOR OUTPUT SPEED RPM	N2 FINAL OUTPUT SPEED OF PUMP/GEARBOX ASSEMBLY RPM	I RATIO OF SPEED INCREASE	KW MAX TRANSMITTABLE POWER	WEIGHT KG
46,6	46,6	540	540	1	36	13,5
48	32	540	810	1,5	36	13,5
48,4	24,2	540	1080	2	36	13,5
46,8	18	540	1408	2,5	36	13,5
48,9	16,3	540	1620	3	36	13,5
45,9	13,5	540	1836	3,5	36	13,5
47,5	12	540	2052	3,8	36	13,5
47,2	11,8	540	2160	4	36	13,5
47	9,8	540	2592	4,8	36	13,5

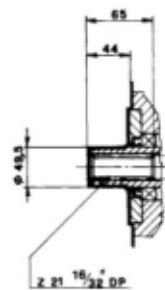
FACTORY PREFIX	PTO GEARBOX	RATIO AVAILABLE	
		Ratio	Value
35	80001	1	1
	80002	1,5	1,5
	80003	2	2
	80004	2,5	2,5
	80005	3	3
		3,5	3,5
		3,8	3,8
		4	4
		4,8	4,8



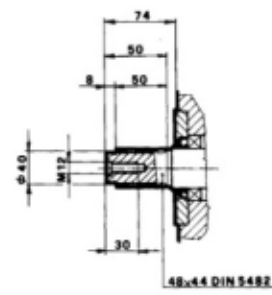
80002



80003

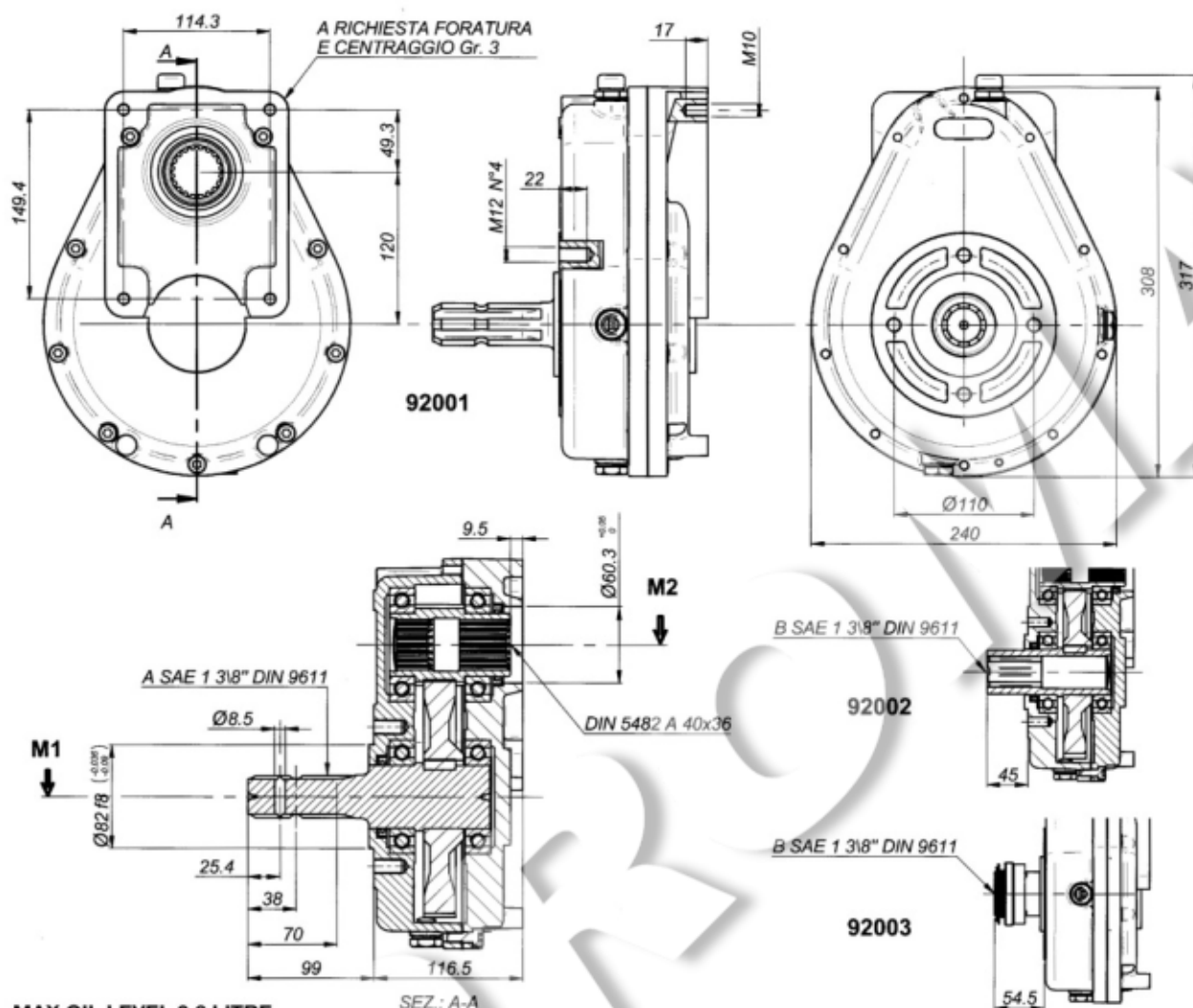


80004



80005

# SERIES MLT 3.5 PTO GEARBOX PUMP GROUP 3.5 • 40KW



MAX OIL LEVEL 0.6 LITRE

M1 MAXIMUM CONTINUOUS TORQUE OF THE PTO GEARBOX (Input side daNm)	M2 MAXIMUM TORQUE OF THE PTO GEARBOX (Output side daNm)	N1 TRACTOR OUTPUT SPEED RPM	N2 FINAL OUTPUT SPEED OF PUMP/GEARBOX ASSEMBLY RPM	I RATIO OF SPEED INCREASE	KW MAX TRANSMITTABLE POWER	WEIGHT KG
80	40	2500	1250	2	40	16
88	35	2500	1000	2.5	40	16
99	32	2500	806	3.1	40	16
105	28	2500	675	3.7	40	16
110	27	2500	610	4.1	40	16

FACTORY PREFIX	PTO GEARBOX	RATIO AVAILABLE
82	92001	2
	92002	2,5
	92003	3,1
		3,7
		4,1