

Part number:

HYDROMA

HYDRAULICKÉ SYSTÉMY

HIDROMA
SYSTEMS

UKŁADY HYDRAULICZNE

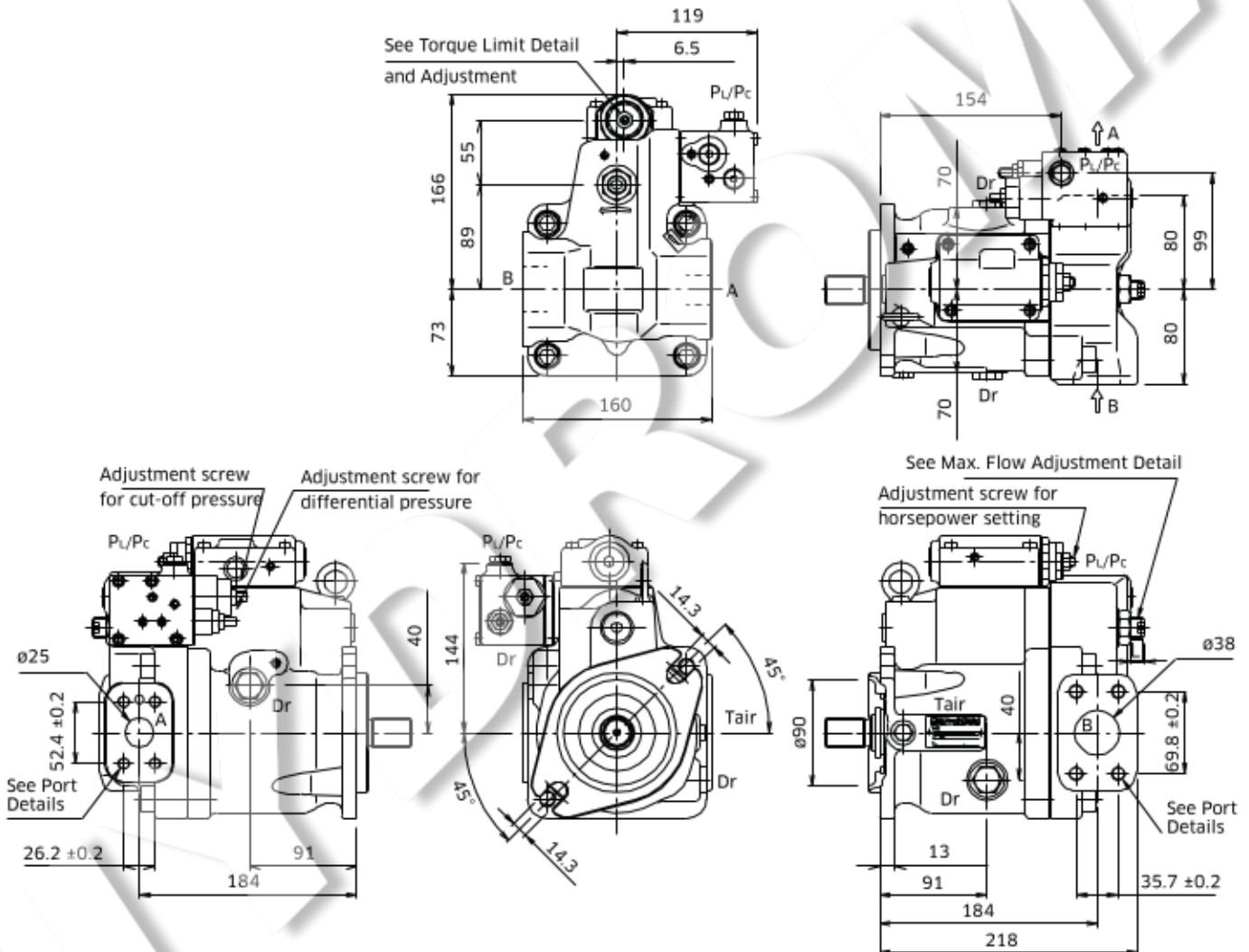
HYDROMA

ГИДРАВЛИЧЕСКИЕ СИСТЕМЫ

K3VL PUMPS

3-2 K3VL45/60 Installation

◆ K3VL45/60 with Cut-Off / Load Sense Control & Torque Limit Module (Clockwise Rotation)

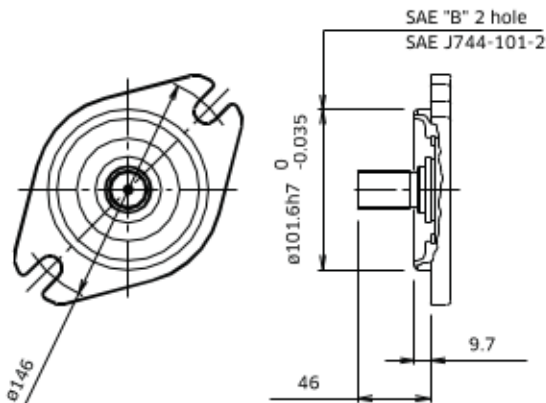


Note: for counter clockwise rotation, the inlet port 'B' and the delivery port 'A' are reversed.

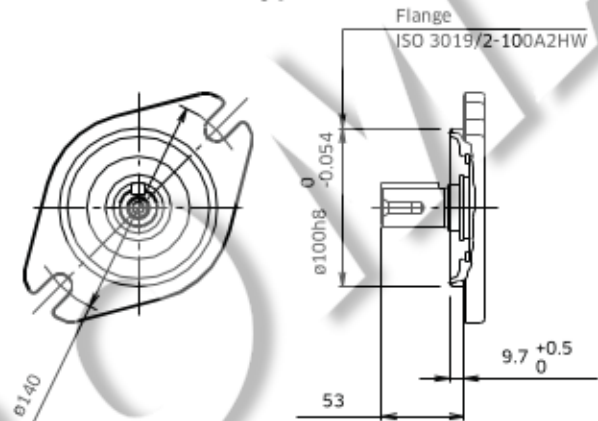
3-2 K3VL45/60 Installation (cont)

◆ K3VL45/60 Mounting Flange and Shaft Options

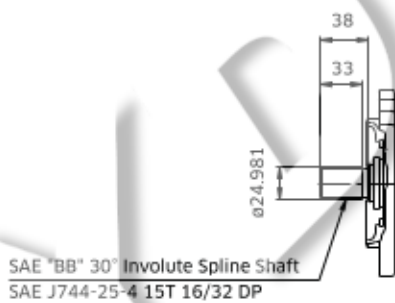
SAE Type



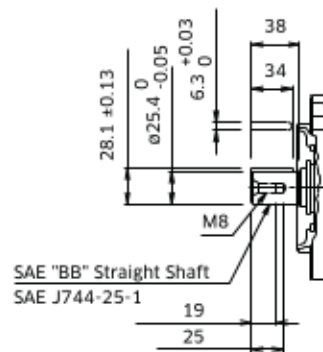
ISO Type



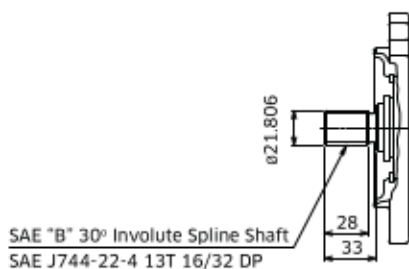
SAE 'BB' Spline Shaft - Option 'S'



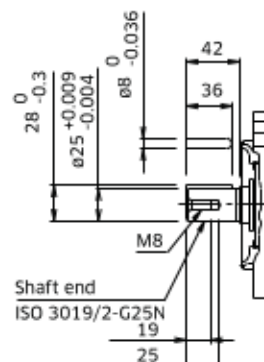
SAE 'BB' Straight Shaft - Option 'K'



SAE 'B' Spline Shaft - Option 'T'

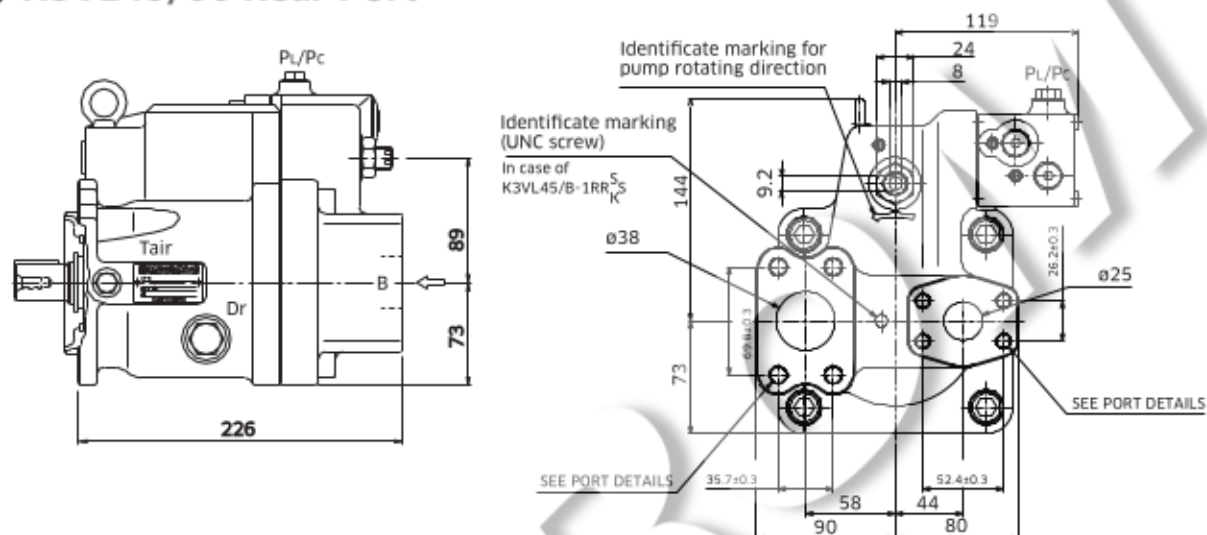


ISO Straight Shaft - Option 'M'



3-2 K3VL45/60 Installation (cont)

◆ K3VL45/60 Rear Port



◆ K3VL45/60 Porting Details

Main SAE Flanged Ports

Des.	Port Name	Port Size	Tightening Torque (Nm)	Flange Threads
------	-----------	-----------	------------------------	----------------

UNF Threaded Version ('S' in position 9 of model code)

A	Delivery Port	SAE J518C Std pressure (code 61) 1"	57	¾-16UNC-2B x 18 mm
B	Suction Port	SAE J518C Std pressure (code 61) 1.5"	98	½-13UNC-2B x 22 mm

Metric Version ('M' in position 9 of model code)

A	Delivery Port	SAE J518C Std pressure (code 61) 1"	57	M10 x 17
B	Suction Port	SAE J518C Std pressure (code 61) 1.5"	98	M12 x 20

Auxillary Ports

Des.	Port Name	Port Size	Tightening Torque (Nm)
------	-----------	-----------	------------------------

SAE Version ('S', 'K', or 'T' in position 8 of model)

Dr	Drain Port (x2)	¾-16UNF-2B-14.3 (ISO11926-1:1995)	98
P _L /P _c	Load Sensing Port Pressure Control Port	⅜-20UNF-2B-14 (ISO11926-1:1995)	12
T _{air}	Air Bleeder Port	⅜-20UNF-2B-14 (ISO11926-1:1995)	12

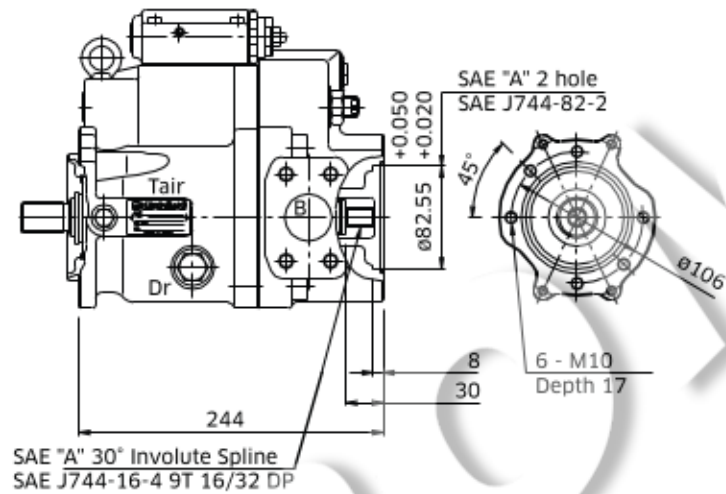
ISO Version ('M' in position 8 of model code)

Dr	Drain Port (x2)	M22 x 1.5-14.5 DIN 3852	98
P _L /P _c	Load Sensing Port Pressure Control Port	M14 x 1.5-12.5 DIN 3852	25
T _{air}	Air Bleeder Port	M14 x 1.5-12.5 DIN 3852	25

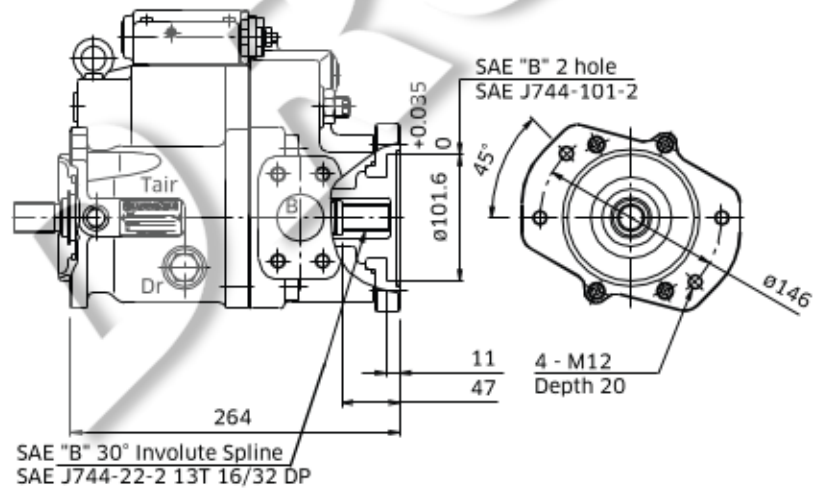
3-2 K3VL45/60 Installation (cont)

◆ K3VL45/60 Through Drive Options

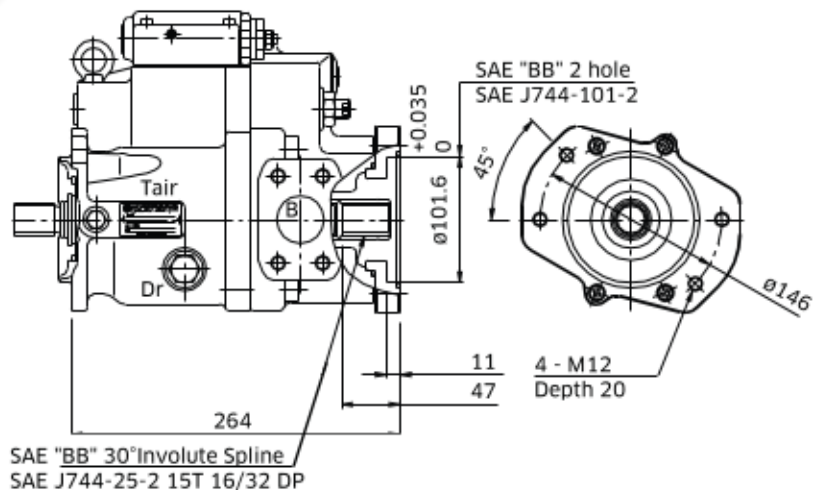
Through Drive 'A'



Through Drive 'B'

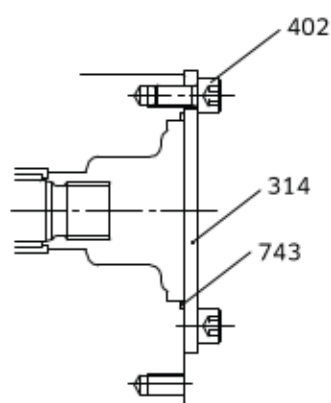


Through Drive 'BB'

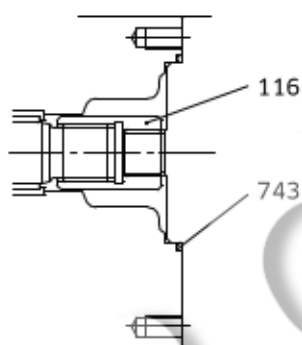


3-2 K3VL45/60 Installation (cont)

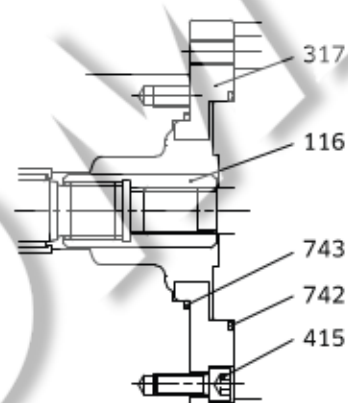
◆ K3VL45/60 Adaptor Kits



COVER KIT



SAE 'A' T/D KIT



SAE 'B' & 'BB' T/D KIT

Part Name	Qty	Cover Kit	SAE 'A' T/D Kit	SAE 'B' T/D Kit	SAE 'BB' T/D Kit
T/D	-	29L8TN	29L4TA	29L4TB	29L4T2
O-Ring	1	Item 743	Item 743	Item 743	Item 743
O-Ring	1	-	-	Item 742	Item 742
Screw Hex SHC	4	-	-	Item 415	Item 415
Screw Hex SHC	2	Item 402	-	-	-
Subplate	1	-	-	Item 317	Item 317
Cover	1	Item 314	-	-	-
Coupling	1	-	Item 116	Item 116	Item 116