

Part number:

HYDROMA
HYDRAULICKÉ SYSTÉMY

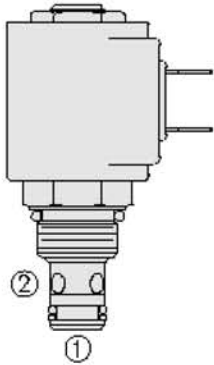
HIDROMA
SYSTEMS
UKŁADY HYDRAULICZNE

HYDROMA
ГИДРАВЛИЧЕСКИЕ СИСТЕМЫ

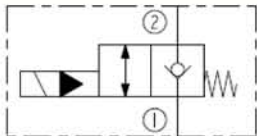
SV08-22

SOLENOID CARTRIDGE ASSEMBLY POPPET, 2 WAY, NORMALLY CLOSED

Overview



Symbol



Description

A solenoid-operated, 2 way, normally closed, poppet-type, screw in hydraulic cartridge valve, designed for low leakage blocking and load holding applications.

Operation

When de-energized, the SV08-22 acts as a check valve, allowing flow from port 1 to port 2, while blocking flow from port 2 to port 1. When energized, the poppet lifts to open the port 2 to port 1 flow path. In this mode, bi-directional flow is allowed.

Features

- Continuous-duty rated coil.
- Hardened seat for long life and low leakage.
- Optional coil voltages and terminations.
- Cartridges are voltage interchangeable.
- Unitized, molded coil design.
- Manual override option.
- Optional waterproof E-Coils rated up to IP69K.
- Industry common cavity.
- Compact size.

Ratings

Pressure Ratings

Pressure rating 207 bar (3000 psi)

Flow Ratings

Flow rating See performance chart

Maximum internal leakage 3 drops/min - **Note:** Max at 207 bar (3000 psi)

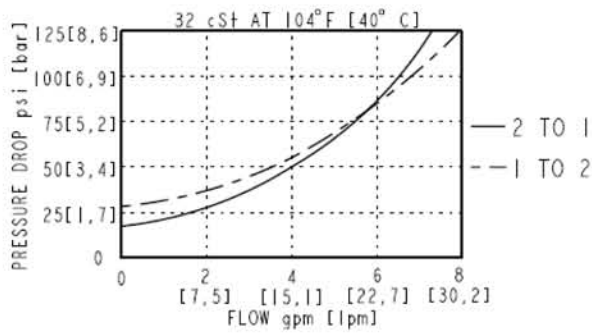
Temperature Ratings

Operating fluid temperature	-40 to 100 °C (-40 to 212 °F)	- Note: With buna-n seals
	-26 to 204 °C (-15 to 400 °F)	- Note: With fluorocarbon seals
	-54 to 107 °C (-65 to 225 °F)	- Note: With polyurethane seals
Storage temperature	-40 to 70 °C (-40 to 160 °F)	- Note: With buna-n seals
Ambient temperature	-40 to 70 °C (-40 to 160 °F)	- Note: With buna-n seals

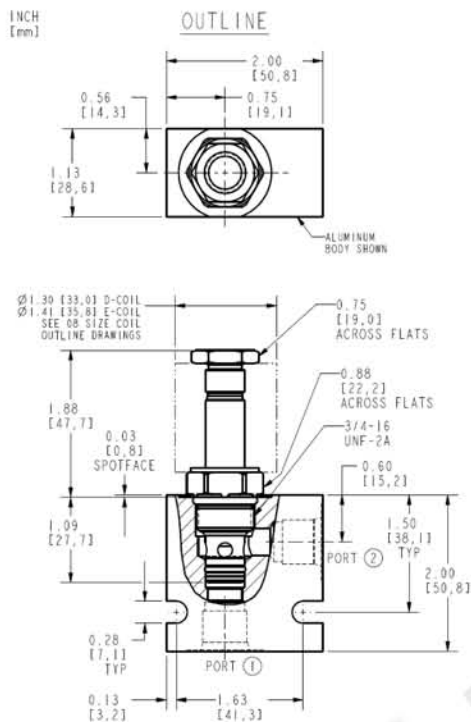
Properties

Fluids	Mineral based or synthetic hydraulic fluid with lubricating properties
Fluid viscosity range	7.4 to 420 cSt
Maximum operating contamination level	20/18/14 PER ISO 4406
Unit weight	0.10 kg (0.21 lb)
Internal wetted surface area	81 cm ² (12.5 in ²)

Performance



Dimensions



Installation Specifications

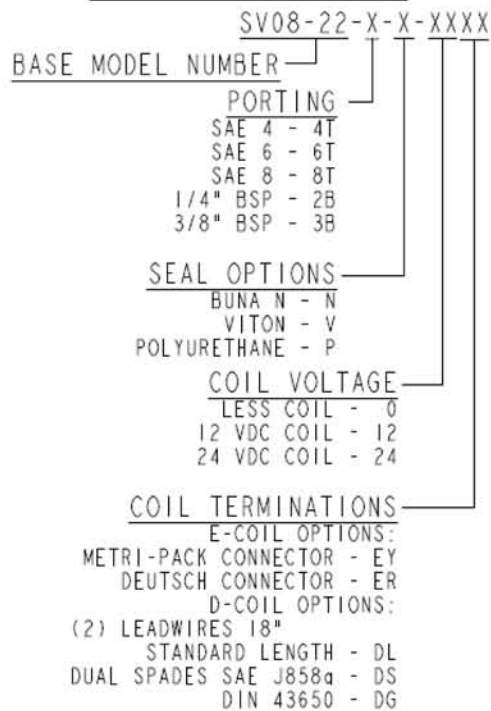
Cavity	VC08-2
Cartridge installation torque	25.8 to 28.5 N-m (19 to 21 ft-lb)
Coil nut torque	5.4 to 6.8 N-m (4 to 5 ft-lb)
Orientation restriction	None

Accessories

Seal kit	SK08-2X-T	- Note: X = Seal option
Housings		
Coils		

Order Code

ORDERING INFORMATION



POSITION	CODE	DESCRIPTION
		SV08-22EG-H-J-L
E		Manual Override
E	BLANK	NONE
E	J	Momentary Pull Override, #10-32 threads
E	M	Two Position Override, Red Knurled Knob
E	Y	Momentary Pull Override, Red Knurled Knob
G		Screen
G	BLANK	NONE
G	S	100 Mesh Screen
H		Line Body
H	0	No Body
H	4T	Aluminum SAE 4
H	6T	Aluminum SAE 6
H	8T	Aluminum SAE 8
H	6TD	Ductile Iron SAE 6
H	8TD	Ductile Iron SAE 8
H	2B	Aluminum BSPP 1/4" (2)
H	3B	Aluminum BSPP 3/8" (3)
H	3BD	Ductile Iron BSPP 3/8" (3)
J		Seal
J	N	Buna-N
J	V	Fluorocarbon
J	P	Polyurethane
J	U	PPDI Urethane
L		Coil

POSITION	CODE	DESCRIPTION
L	0	No Coil
L	10DL	10 VDC, D-Coil, Dual Lead Wires
L	10DR/D	10 VDC, D-Coil, Deutsch with Diode
L	10DS	10 VDC, D-Coil, Dual Spade
L	10EL	10 VDC, E-Coil, Dual Lead Wires, 18 inches long
L	10EL/36	10 VDC, E-Coil, Dual Lead Wires, 36 inches long
L	10ER	10 VDC, E-Coil, Deutsch
L	10ER/Z	10 VDC, E-Coil, Deutsch with Zener Diode
L	12DG	12 VDC, D-Coil, DIN 43650
L	12DL	12 VDC, D-Coil, Dual Lead Wires, 18 inches long
L	12DL/36	12 VDC, D-Coil, Dual Lead Wires, 36 inches long
L	12DL/W	12 VDC, D-Coil, Dual Lead Wires with Weatherpak
L	12DL/W/D	12 VDC, D-Coil, Dual Lead Wires with Weatherpak with Diode
L	12DR	12 VDC, D-Coil, Deutsch
L	12DR/D	12 VDC, D-Coil, Deutsch with Diode
L	12DR/Z	12 VDC, D-Coil, Deutsch with Zener Diode
L	12DS	12 VDC, D-Coil, Dual Spade
L	12EG	12 VDC, E-Coil, DIN 43650
L	12EG/Z	12 VDC, E-Coil, DIN 43650 with Zener Diode
L	12EJ	12 VDC, E-Coil, AMP Jr.
L	12EJ/Z	12 VDC, E-Coil, AMP Jr. with Zener Diode
L	12EL	12 VDC, E-Coil, Dual Lead Wires, 18 inches long
L	12EL/36	12 VDC, E-Coil, Dual Lead Wires, 36 inches long
L	12EL/Z	12 VDC, E-Coil, Dual Lead Wires with Zener Diode
L	12ER	12 VDC, E-Coil, Deutsch
L	12ER/Z	12 VDC, E-Coil, Deutsch with Zener Diode
L	12EY	12 VDC, E-Coil, Metri-Pack 150
L	12EY/Z	12 VDC, E-Coil, Metri-Pack 150 with Zener Diode
L	20DG	20 VDC, D-Coil, DIN 43650
L	20DS	20 VDC, D-Coil, Dual Spade
L	20ER	20 VDC, E-Coil, Deutsch
L	20ER/Z	20 VDC, E-Coil, Deutsch with Zener Diode
L	24AG	24 VDC, D-Coil, DIN 43650
L	24AP	24 VDC, D-Coil, 1/2" Conduit and Dual Lead Wires
L	24DG	24 VDC, D-Coil, DIN 43650
L	24DL	24 VDC, D-Coil, Dual Lead Wires, 18 inches long
L	24DL/36	24 VDC, D-Coil, Dual Lead Wires, 36 inches long
L	24DL/W	24 VDC, D-Coil, Dual Lead Wires with Weatherpak
L	24DR	24 VDC, D-Coil, Deutsch
L	24DR/D	24 VDC, D-Coil, Deutsch with Diode
L	24DR/Z	24 VDC, D-Coil, Deutsch with Zener Diode
L	24DS	24 VDC, D-Coil, Dual Spade
L	24EG	24 VDC, E-Coil, DIN 43650

POSITION	CODE	DESCRIPTION
L	24EG/Z	24 VDC, E-Coil, DIN 43650 with Zener Diode
L	24EJ	24 VDC, E-Coil, AMP Jr.
L	24EL/D	24 VDC, E-Coil, Dual Lead Wires with Diode
L	24ER	24 VDC, E-Coil, Deutsch
L	24ER/Z	24 VDC, E-Coil, Deutsch with Zener Diode
L	24EY	24 VDC, E-Coil, Metri-Pack 150
L	24EY/Z	24 VDC, E-Coil, Metri-Pack 150 with Zener Diode
L	36DG	36 VDC, D-Coil, DIN 43650
L	36DS	36 VDC, D-Coil, Dual Spade
L	115AG	115 VAC, D-Coil, DIN 43650
L	115AP	115 VAC, D-Coil, 1/2" Conduit and Dual Lead Wires
L	230AG	230 VAC, D-Coil, DIN 43650
L	230AP	230 VAC, D-Coil, 1/2" Conduit and Dual Lead Wires