

Part number:

**HYDROMA**

HYDRAULICKÉ SYSTÉMY

**HIDROMA
SYSTEMS**

UKŁADY HYDRAULICZNE

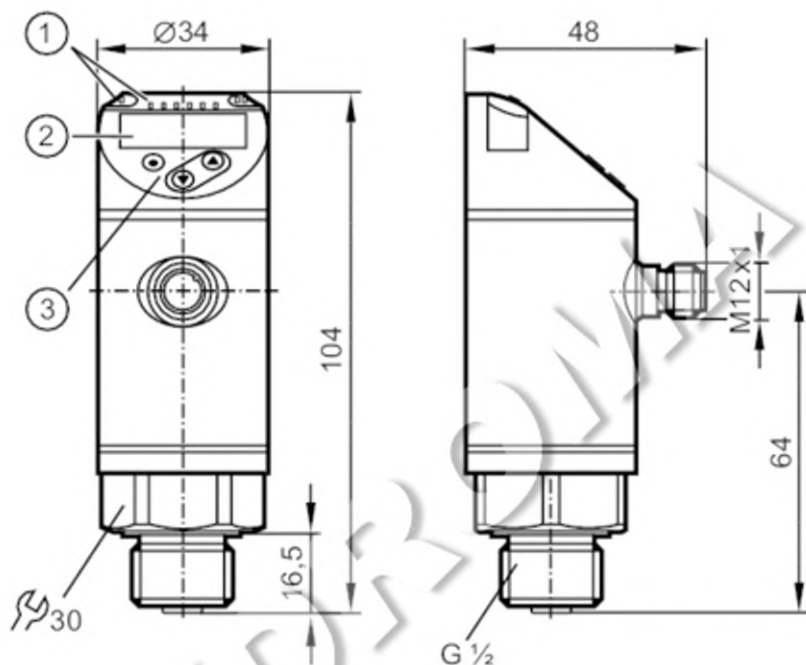
HYDROMA

ГИДРАВЛИЧЕСКИЕ СИСТЕМЫ

TR7439

Evaluation unit with display for PT100/Pt1000 temperature sensors

TR-000KDBM12-QFPKG/US/



- 1 LEDs Display unit / switching status
 2 alphanumeric display 4-digit red/green
 3 programming buttons



Product characteristics

Number of inputs and outputs	Number of digital outputs: 2	
Measuring range	-100...600 °C	-148...1112 °F
Process connection	threaded connection G 1/2 external thread	

Application

Special feature	Gold-plated contacts
Application	for Pt100 and Pt1000 measuring elements

Electrical data

Operating voltage	[V]	18...32 DC; ("supply class 2" to cULus)
Current consumption	[mA]	< 50
Protection class		III
Reverse polarity protection		yes
Power-on delay time	[s]	1
Integrated watchdog		yes

Inputs / outputs

Number of inputs and outputs	Number of digital outputs: 2
------------------------------	------------------------------

TR7439

Evaluation unit with display for PT100/PT1000 temperature sensors


TR-000KDBM12-QFPKG/US/

Outputs		
Total number of outputs		2
Output signal		switching signal; IO-Link; (configurable)
Electrical design		PNP/NPN
Number of digital outputs		2
Output function		normally open / normally closed; (parameterisable)
Max. voltage drop switching output DC	[V]	2.5
Permanent current rating of switching output DC	[mA]	250
Short-circuit protection		yes
Type of short-circuit protection		pulsed
Overload protection		yes
Measuring/setting range		
Measuring range		-100...600 °C
		-148...1112 °F
Set point SP		-99.8...600 °C
		-147.6...1112 °F
Reset point rP		-100...599.8 °C
		-148...1111.6 °F
In steps of		0.1 °C
		0.1 °F
Resolution		
Resolution of switching output	[K]	0.1
Resolution of display	[K]	0.1
Accuracy / deviations		
Switch point accuracy	[K]	± 0,3 + (± 0,1 % MS)
Display accuracy	[K]	± 0,3 + (± 0,1 % MS)
Temperature coefficient [% of the span / 10 K]		0,1; (in case of deviation from the reference condition 25 ± 5 °C)
Response times		
Response time	[ms]	390
Software / programming		
Parameter setting options		hysteresis / window; normally open / normally closed; switching logic; switch-on/switch-off delay; Damping; Display unit
Interfaces		
Communication interface		IO-Link
Transmission type		COM2 (38,4 kBaud)
IO-Link revision		1.1
Operating conditions		
Ambient temperature	[°C]	-25...80
Storage temperature	[°C]	-40...100
Protection		IP 67

TR7439

Evaluation unit with display for PT100/PT1000 temperature sensors

TR-000KDBM12-QFPKG/US/

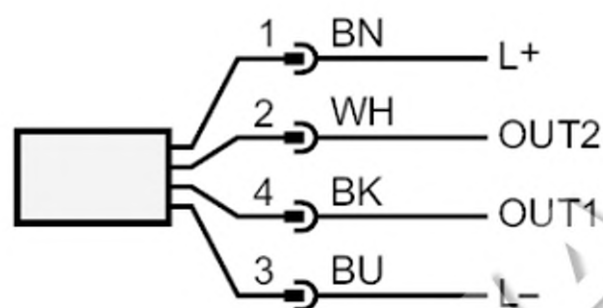
Tests / approvals		
EMC	DIN EN 61000-6-3	
	DIN EN 61000-6-2	
Shock resistance	DIN IEC 68-2-27	50 g (11 ms)
Vibration resistance	DIN EN 60068-2-6	20 g (10...2000 Hz)
MTTF [years]	252	
UL approval	UL Approval no.	K012
Mechanical data		
Weight [g]	198.5	
Materials	stainless steel (1.4404 / 316L); stainless steel (1.4301 / 304); PBT+PC-GF30; PBT-GF20; PC	
Process connection	threaded connection G 1/2 external thread	
Displays / operating elements		
Display	Display unit	2 x LED, green
	switching status	2 x LED, yellow
	measured values	alphanumeric display, red/green 4-digit
Remarks		
Remarks	MS = set measuring span	
Pack quantity	1 pcs.	
Electrical connection		
Connector: 1 x M12; coding: A; Contacts: gold-plated		
		

TR7439

Evaluation unit with display for PT100/PT1000
temperature sensors

TR-000KDBM12-QFPKG/US/

Connection



OUT1: switching output / IO-Link

OUT2: switching output

colours to DIN EN 60947-5-2