

Part number:

HYDROMA

HYDRAULICKÉ SYSTÉMY

**HIDROMA
SISTEMS**

UKŁADY HYDRAULICZNE

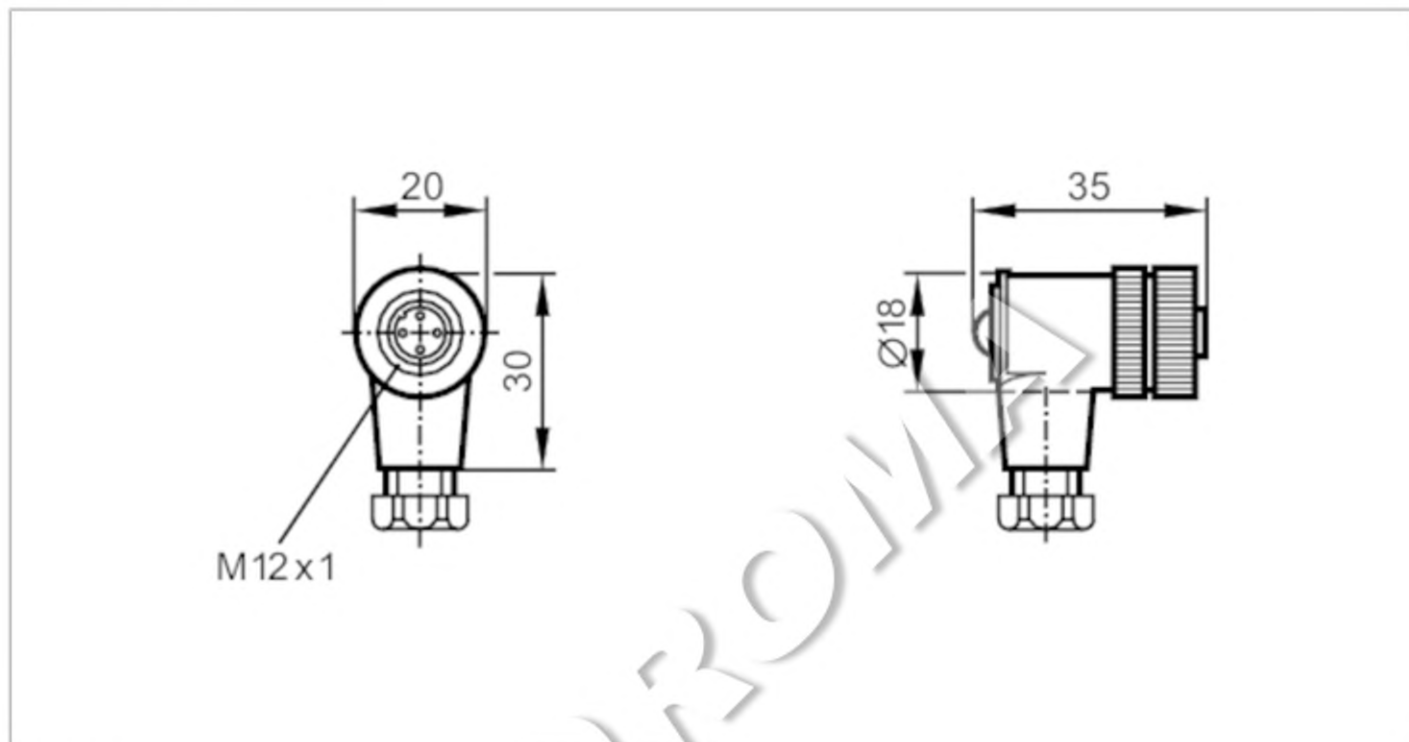
HYDROMA

ГИДРАВЛИЧЕСКИЕ СИСТЕМЫ

E11658

Wirable socket

SDOAH040MSSFKPG



Application	
Special feature	Free from silicone; Gold-plated contacts
Free from silicone	yes
Electrical data	
Operating voltage [M]	< 250 AC/DC
Max. current load total [A]	4; (...40 °C)
Operating conditions	
Ambient temperature [°C]	-25...100
Protection	IP 68
Mechanical data	
Weight [g]	30.2
Dimensions [mm]	35 x 20 x 30
Materials	PA
Moulded-body material	PA
Material nut	brass, nickel-plated
Remarks	
Pack quantity	1 pcs.

Electrical connection	
screw terminals: ...0.75 mm ² ; Cable sheath: Ø 6...8 mm	

Electrical connection - socket	
Connector: 1 x M12, angled; coding: A; Moulded body: PA; Locking: brass, nickel-plated; Contacts: gold-plated	

E11658

Wirable socket

SDOAH040MSSFKPG



Connection

