

Part number:

**HYDROMA**

HYDRAULICKÉ SYSTÉMY

**HIDROMA  
SISTEMS**

UKŁADY HYDRAULICZNE

**HYDROMA**

ГИДРАВЛИЧЕСКИЕ СИСТЕМЫ

# Pressure switches DS-103 and DS-104

**DS-103/ES/MS-\*\*\***

Weight: 1,5 kg

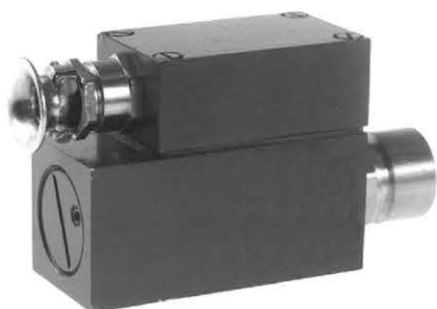
(\*\*\* = pressure range)

## For the mining industry

### Housing brass

Electrical production facilities  
or machines for mines with mine gas.

Connection box:  
with 3-pole terminal board



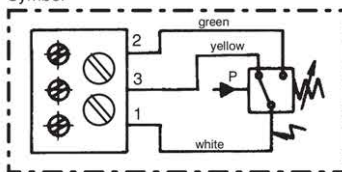
Also with ATEX admittance

**DMT 02 ATEX E 200**

Equipment identification: **Ex** I M2 EEx ia I

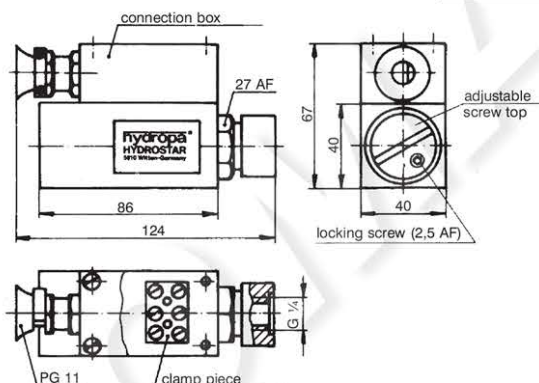
Please indicate supplement "ATEX" at order!

Symbol



**pressure ranges:**

55 = 5- 55 bar  
100 = 10-100 bar  
150 = 20-150 bar  
240 = 40-240 bar  
350 = 20-350 bar  
420 = 50-420 bar  
600 = 50-600 bar



**NOTE !**

The unit may only be installed by technical specialists. Comply with the national and international regulations for the installation of electro-technical equipment. Voltage supply in compliance with EN 50178, SELV, PELV. Ensure that the equipment is not energized before connecting the unit.

**DS-104/EX-\*\*\***

Weight: 0,8 kg

(\*\*\* = pressure range)

According to Council Directive 94/9/EC (ATEX)



Pressure switch type DS-104/EX is fitted with a special end switch from Bartec. This end switch has the approval acc. PTB no. 01 ATEX 1005X dated 16.05.2001.

Identification of the end switch : **Ex** II 2G EEx d IIC T6.

### Special requirements:

The end switch must be mounted with a mechanical protection.

The cable of this electrical end switch must be fix and properly laid in order to avoid mechanical damage.

**Working temperature:** -20 °C up to +70 °C

**NOC/NCC contact**

**Cable length:** 4 m, longer on request

### Max. electrical load:

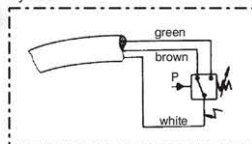
DC 250 V, 0,25 A

When separate earth is done by customer the end switch can be loaded with max. AC 250 V 5,0 A.

See certificate of conformity PTB 01 ATEX 1005X.

End switch type 07-2501-6.

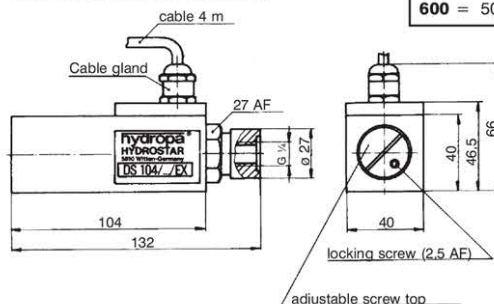
Symbol



**Earthing separately  
e.g. by  
pipeline**

**pressure ranges:**

55 = 5- 55 bar  
100 = 10-100 bar  
150 = 20-150 bar  
240 = 40-240 bar  
350 = 20-350 bar  
420 = 50-420 bar  
600 = 50-600 bar



Type	Description
DS-104/EX-***	Pressure switch, explosion-proof
DS-104/EX/V2-***	with scale and knurled knob $\varnothing$ 30 mm
DS-104/EX/V2/AS-H2-***	with scale, knurled knob $\varnothing$ 30 mm and lock E10 H2
DS-104/EX/SCH-***	panel mounting
DS-104/EX/SCH/V2-***	panel mounting and knurled knob $\varnothing$ 30 mm
DS-104/EX/SCH/V2/AS-H2-***	panel mounting, knurled knob $\varnothing$ 30 mm and lock E10 H2



**NOTE !**

The unit may only be installed by technical specialists. Comply with the national and international regulations for the installation of electro-technical equipment. Voltage supply in compliance with EN 50178, SELV, PELV. Ensure that the equipment is not energized before connecting the unit.

## For Accurate Switching