

Part number:

HYDROMA

HYDRAULICKÉ SYSTÉMY

**HIDROMA
SISTEMS**

UKŁADY HYDRAULICZNE

HYDROMA

ГИДРАВЛИЧЕСКИЕ СИСТЕМЫ



CHM5

PILOT OPERATED CHECK VALVE

SERIES 10

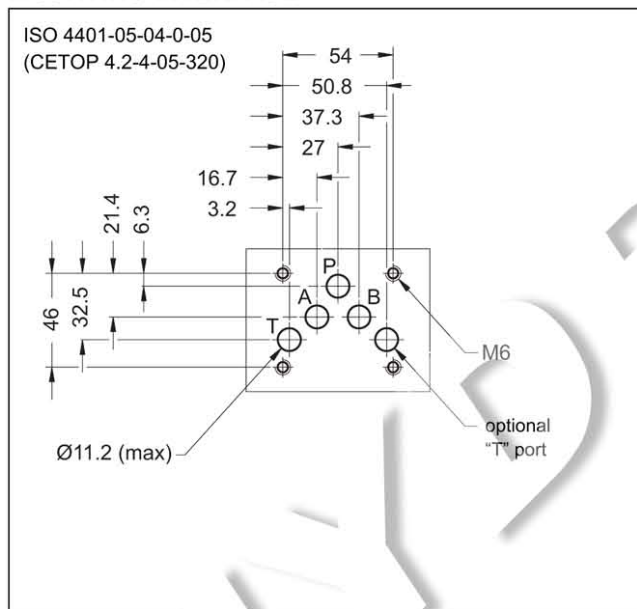
MODULAR VERSION

ISO 4401-05 (CETOP 05)

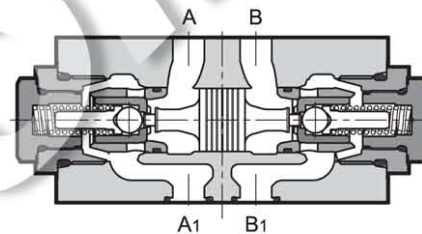
p max 320 bar

Q max 120 l/min

MOUNTING INTERFACE



OPERATING PRINCIPLE

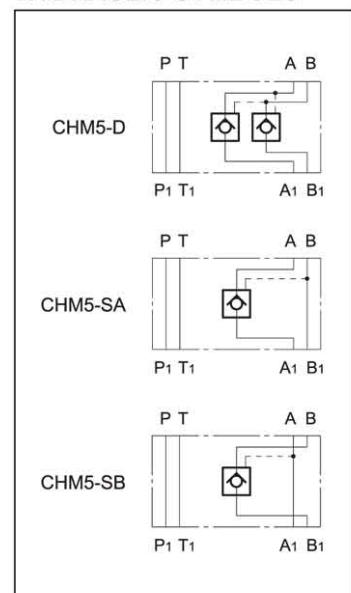


- This is a pilot operated check valve (spring closing and cone on edge seals) with a built-in flow control feature. The mounting surface is according to the ISO 4401 (CETOP RP 121H) standard.
- The CHM5 are always mounted under the ISO 4401-05 (CETOP 05) directional solenoid valves and can be assembled with all other ISO 4401-05 (CETOP 05) valves.
- The pre-opening feature of the valve causes the decompression of the cylinder chamber, leading to a smooth motion.

PERFORMANCES (measured with mineral oil of viscosity 36cSt at 50°C)

Maximum operating pressure	bar	320
Maximum flow rate	l/min	120
Decompression ratio		14,9:1
Piloting ratio		2,3:1
Check valve cracking pressure	bar	2
Ambient temperature range	°C	-20 / +50
Fluid temperature range	°C	-20 / +80
Fluid viscosity range	cSt	10 ÷ 400
Recommended viscosity	cSt	25
Fluid contamination degree	According to ISO 4406:1999 class 20/18/15	
Mass: CHM5-D	kg	2,2
CHM5-SA e CHM5-SB		

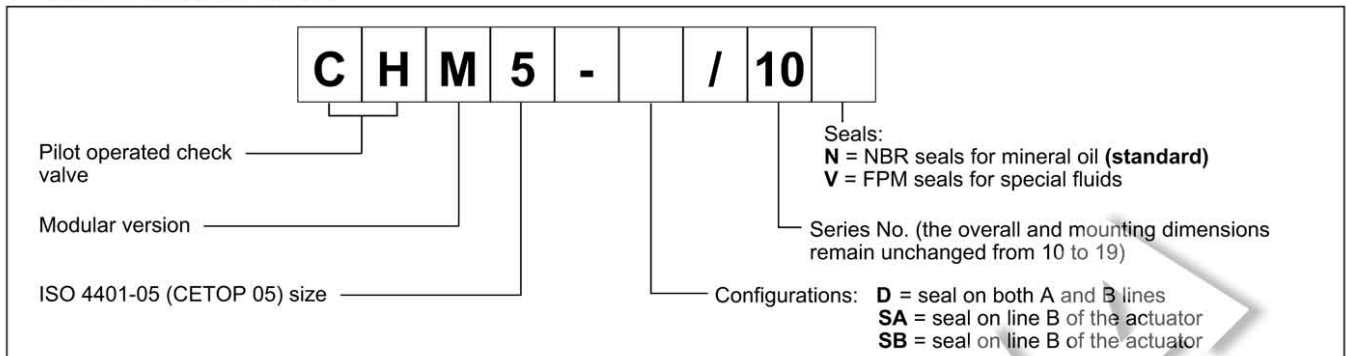
HYDRAULIC SYMBOLS



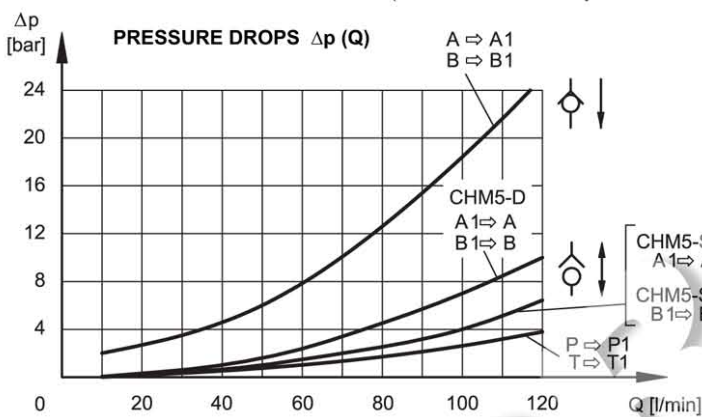
CHM5

SERIES 40

1 - IDENTIFICATION CODE



2 - CHARACTERISTIC CURVES (obtained with viscosity of 36 cSt at 50°C)



3 - HYDRAULIC FLUIDS

Use mineral oil-based hydraulic fluids HL or HM type, according to ISO 6743-4. For these fluids, use NBR seals. For fluids HFDR type (phosphate esters) use FPM seals (code V).

For the use of other kinds of fluid such as HFA, HFB, HFC, please consult our technical department.

Using fluids at temperatures higher than 80 °C causes a faster degradation of the fluid and of the seals characteristics. The fluid must be preserved in its physical and chemical characteristics.

4 - OVERALL AND MOUNTING DIMENSIONS

