

Part number:

**HYDROMA**

HYDRAULICKÉ SYSTÉMY

**HIDROMA  
SYSTEMS**

UKŁADY HYDRAULICZNE

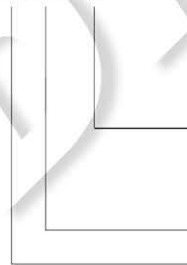
**HYDROMA**

ГИДРАВЛИЧЕСКИЕ СИСТЕМЫ

## MTO Gear flow-divider (cast iron housing) Size 3

Type	Displacement per section (cm <sup>3</sup> /U)	min. flow per section (l/min)	max. flow per section (l/min)	Continue pressure (bar)	Peak pressure (bar)
Size 3					
<b>MTO-..-25</b>	<b>24,9</b>	<b>12</b>	<b>66</b>	<b>270</b>	<b>290</b>
<b>MTO-..-35</b>	<b>34,3</b>	<b>16</b>	<b>82</b>	<b>260</b>	<b>285</b>
<b>MTO-..-55</b>	<b>54,5</b>	<b>27</b>	<b>98</b>	<b>260</b>	<b>285</b>
<b>MTO-..-80</b>	<b>78,7</b>	<b>40</b>	<b>140</b>	<b>260</b>	<b>285</b>
Size 4. Page 22, 23					
MTO-..-110	105,4	50	200	270	290
MTO-..-150	149,7	80	220	235	250

### Order codes

Example: **MTO-4-55-EA7**4-section flow-divider with all sections of 54,5 cm<sup>3</sup>/rev.

- G** Threaded connection
  - GB** Threaded connection, for valve block assembly
  - E** Inlet block
  - A7** Outlet block, design series 7
- Displacement per section  
Number of section, maximum 8

### Restrictions in the use of other operating fluids than mineral oil

Type	Fluid	max. pressure (bar)	max. revs (rev/min)	temperatur range	seals
<b>HFC</b>	water glycol	160	1300	-20 bis 60°C	*
<b>HFD</b>	phosphate ester	160	1500	-10 bis 60°C	FKM

\* Perbunan oder FKM according to the HFC manufacturer's recommendation

# MTO Gear flow-divider (cast iron housing) Size 3 EA7

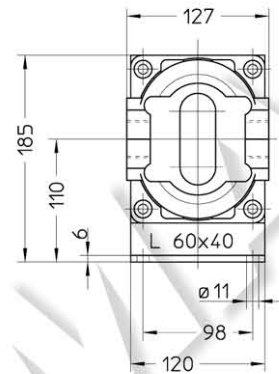
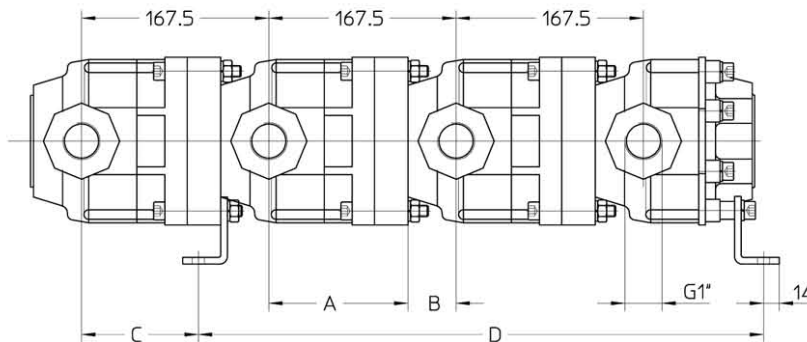
The drawing shows a 4-section flow-divider. Using more or less sections, you have to calculate the total length with a difference of 167,5 mm each section.

**MTO-...-G**

Weight: 17 kg/section

## Connections

E            **G1 1/4"**    Input  
 A1 to A4   **G1 1/4"**    Output, divided flows

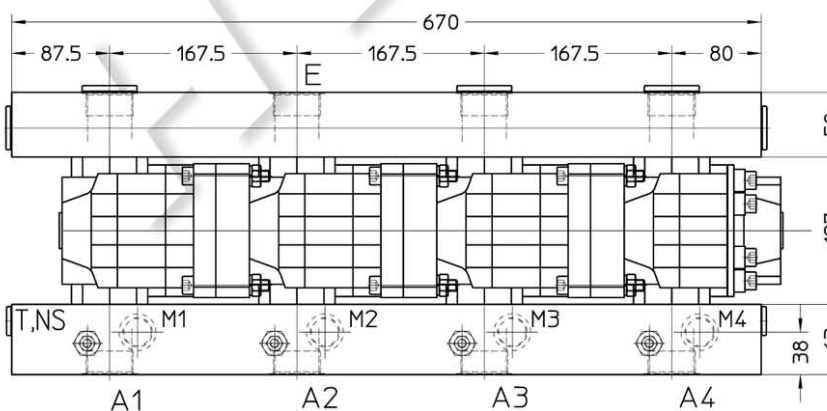
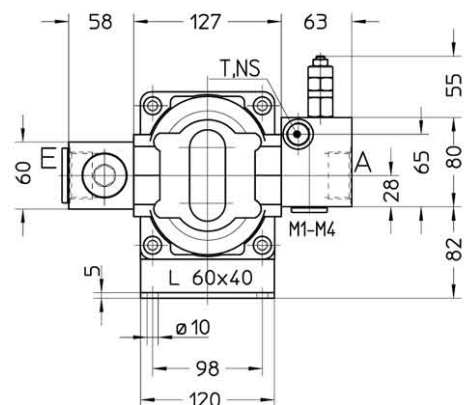
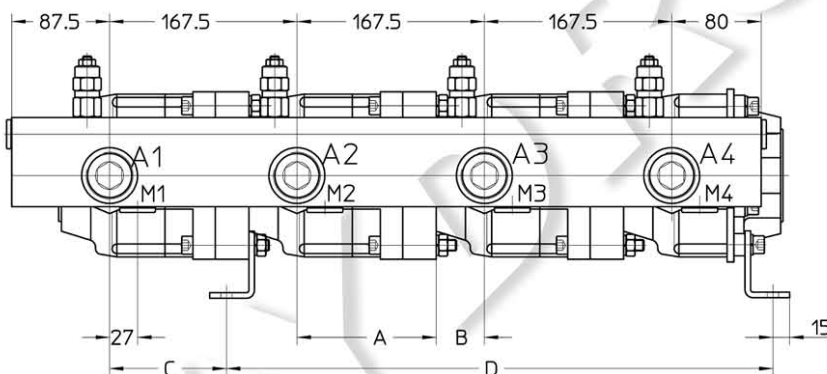


## Connections

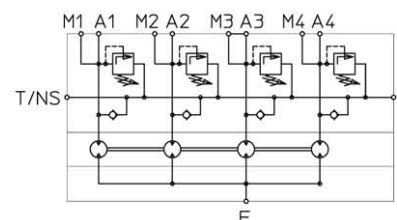
E            **G1 1/4"**    Input  
 A1 to A4   **G1 1/4"**    Output, divided flows  
 T, NS      **G1/2"**      Tank and low-pressure-feeding  
 M1 to M4   **G3/4"**      Measuring port for each section

**MTO-...-EA7**

Weight: 22 kg/section



Circuit according DIN ISO 1219



Type	A	B	C	D
MTO-...-35	130,0	37,5	110,0	471,5
MTO-...-55	124,5	43,0	104,5	488,5
MTO-...-80	109,0	58,5	89,0	504,0