

Part number:

**025-10104**

**HYDROMA**

HYDRAULICKÉ SYSTÉMY

**HIDROMA  
SISTEMS**

UKŁADY HYDRAULICZNE

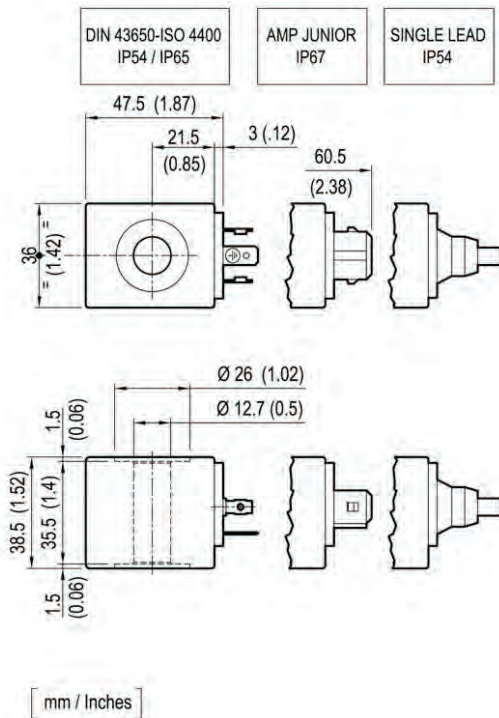
**HYDROMA**

ГИДРАВЛИЧЕСКИЕ СИСТЕМЫ

# Coils - Connectors

COIL S8-356 - CLASS H - 20 W

OD.02.17 - X - Y - Z



## TECHNICAL DATA

Weight: 0.18 kg (0.40 lbs)

Heat insulation Class H: 180°C (356°F)

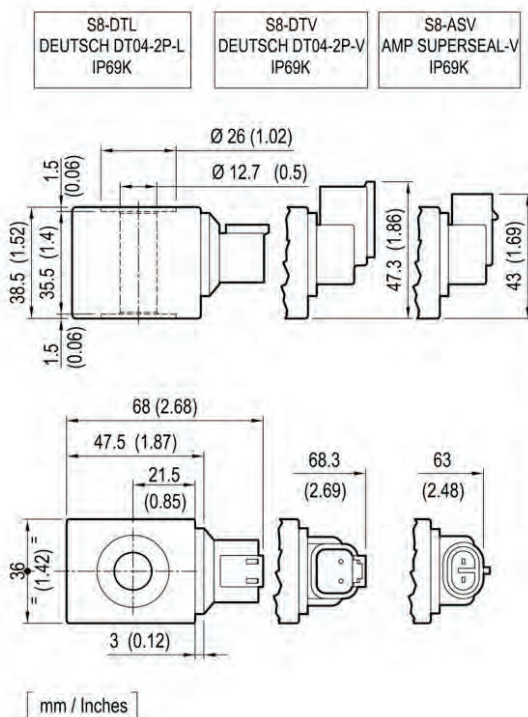
Ambient temperature range: -30/+60°C (-22/+140°F)

Inlet voltage fluctuations must not exceed ±10% of nominal voltage to obtain correct operation and long life coils.

X	Y	Connections	Circuit	Voltage
01	30	DIN 43650 - ISO 4400	Standard	DC-RAC
07	30	AMP JUNIOR	Standard	DC
0G	03	SINGLE LEAD	Standard	DC *
14	30	DIN 43650 - ISO 4400	Bidirectional Diode	DC
15	30	AMP JUNIOR	Bidirectional Diode	DC
0H	03	SINGLE LEAD	Bidirectional Diode	DC *

\* Length 300mm (11.8 inches), Ext. diameter 6.3mm (0.25 inches), External and internal Shealth Silicone rubber.

Z	Voltage V	Resistance Ohm (±7%)	Power W	Current A		ΔT °C (°F)
	Nominal	Ta = 20-25°C (68-77°F)	Cold coil	Cold coil	Hot coil	1 hour energized at Ta=20-25°C (68-77°F) Nominal voltage
OB	12 DC	7.2	20	1.7	1.2	105-110 (221-230)
OG	14 DC	9.0	20	1.6	1.1	
OC	24 DC	28.2	20	0.9	0.6	
AC	26 DC	33.6	20	0.8	0.5	
OV	24 RAC	23.1	20	0.9	-	110-125 (230-257)
OW	110 RAC	478.3	20	0.2	-	
OZ	220 RAC	1919.9	20	0.1	-	



X	Y	Connections	Circuit	Voltage
20	30	DEUTSCH DT04-2P-L	Standard	DC
20	3P	DEUTSCH DT04-2P-V	Standard	DC
30	3P	AMP SUPERSEAL-V	Standard	DC
22	30	DEUTSCH DT04-2P-L	Bidirectional Diode	DC
22	3P	DEUTSCH DT04-2P-V	Bidirectional Diode	DC
32	3P	AMP SUPERSEAL-V	Bidirectional Diode	DC

Z	Voltage V	Resistance Ohm (±7%)	Power W	Current A		ΔT °C (°F)
	Nominal	Ta = 20-25°C (68-77°F)	Cold coil	Cold coil	Hot coil	1 hour energized at Ta=20-25°C (68-77°F) Nominal voltage
OB	12 DC	7.2	20	1.7	1.2	105-110 (221-230)
OC	24 DC	28.2	20	0.9	0.6	
AC	26 DC	33.6	20	0.8	0.5	

These coils have passed the THERMAL SHOCK DUNK TEST

# Coils - Connectors

## Preferred types (readily available)

Type	Material number
OD02170130AC00	R901058832
OD02170130OB00	R901090821
OD02170130OC00	R901083065
OD02170130OG00	R901144215
OD02170130OV00	R901090820
OD02170130OW00	R901087981
OD02170130OZ00	R901085466
OD02170730AC00	R934000494
OD02170730OB00	R901094604
OD02170730OC00	R901094607
OD02170730OG00	R934000498
OD02170G03OB00	R901100773
OD02170G03OC00	R901100775
OD02171430OB00	R901131889
OD02171430OC00	R901121821
OD02171530AC00	R901133139

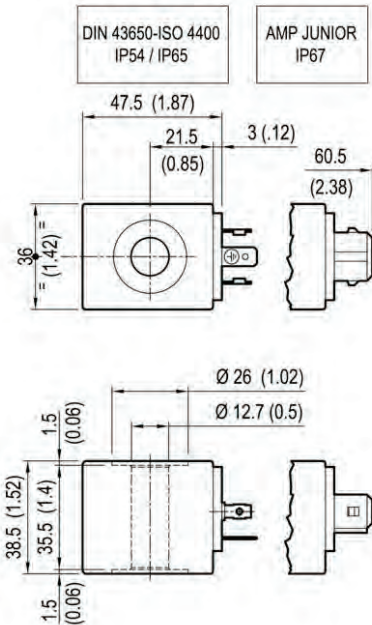
Type	Material number
OD02171530OB00	R901111032
OD02171530OC00	R901125292
OD02172030OB00	R901094609
OD02172030OC00	R901094611
OD0217203PAC00	R934000509
OD0217203POB00	R901110014
OD0217203POC00	R901110015
OD02172230OB00	R901130433
OD02172230OC00	R901130401
OD02172230OG00	R934003033
OD0217223POB00	R901120671
OD0217223POC00	R901114602
OD0217303PAC00	R934000516
OD0217303POB00	R901110016
OD0217323POB00	R934000519

Further types available by request

# Coils - Connectors

COIL S8-356 - CLASS H - 17 W

OD.02.27 - X - Y - Z



DIN 43650-ISO 4400  
IP54 / IP65

AMP JUNIOR  
IP67

**TECHNICAL DATA**

Weight: 0.18 kg (0.40 lbs)

**Heat insulation Class H: 180°C (356°F)**

Ambient temperature range: -30/+80°C (-22/+176°F)

Inlet voltage fluctuations must not exceed ±10% (not welded solenoid type) ±15% (other welded solenoid type) of nominal voltage to obtain correct operation and long life coils.

X	Y	Connections	Circuit	Voltage
01	30	DIN 43650 - ISO 4400	Standard	DC
07	30	AMP JUNIOR	Standard	DC
15	30	AMP JUNIOR	Bidirectional Diode	DC

Z	Voltage V	Resistance Ohm (±7%)	Power W	Current A		ΔT °C (°F) 1 hour energized at Ta=20-25°C (68-77°F) Nominal voltage
	Nominal	Ta = 20-25°C (68-77°F)	Cold coil	Cold coil	Hot coil	
OB	12 DC	8.4	17	1.4	1.0	85-90 (185-194)
OG	14 DC	11.4	17	1.2	0.8	
OC	24 DC	33.7	17	0.7	0.5	

[ mm / Inches ]

**Preferred types (readily available)**

Type	Material number	Type	Material number
OD02270730OG00	R934003645		
OD02271530OG00	R934003888		

Further types available by request