

Part number:

006-10596

HYDROMA

HYDRAULICKÉ SYSTÉMY

**HIDROMA
SISTEMS**

UKŁADY HYDRAULICZNE

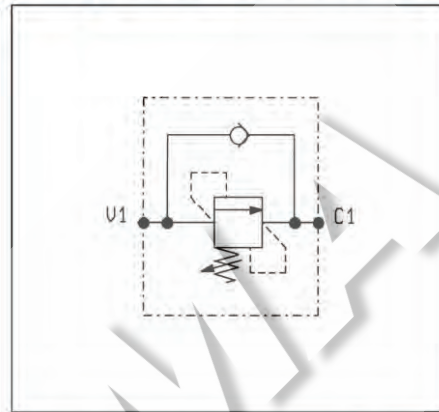
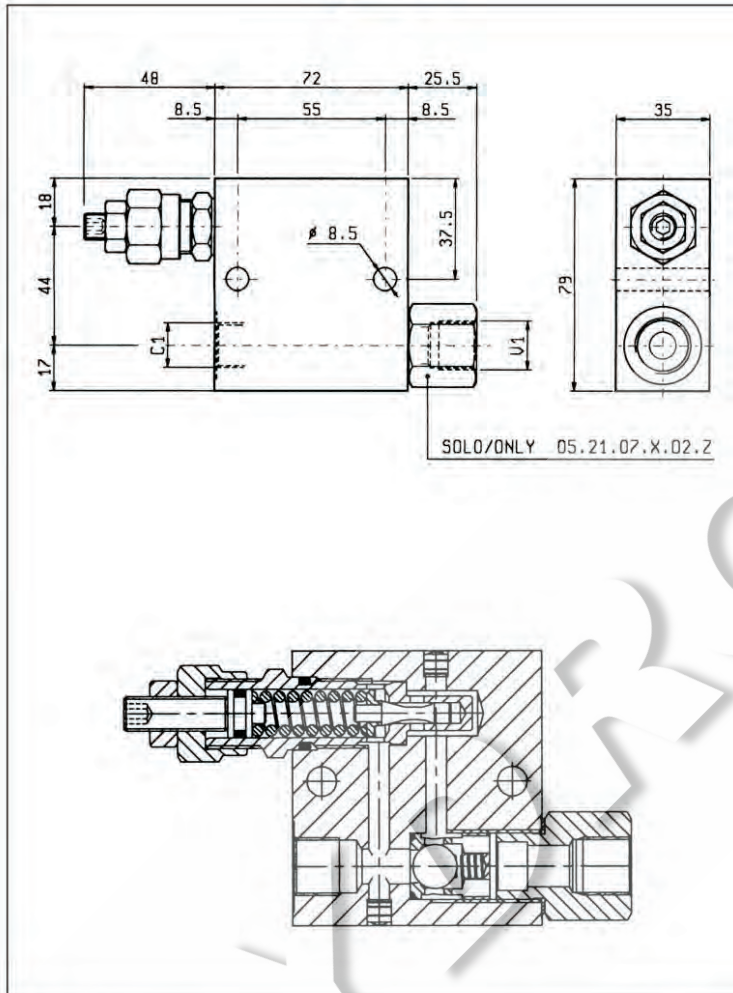
HYDROMA

ГИДРАВЛИЧЕСКИЕ СИСТЕМЫ

SEQUENZA, DIRETTE
DIRECT SEQUENCE

VSQ-30

05.21.07 - X - Y - Z



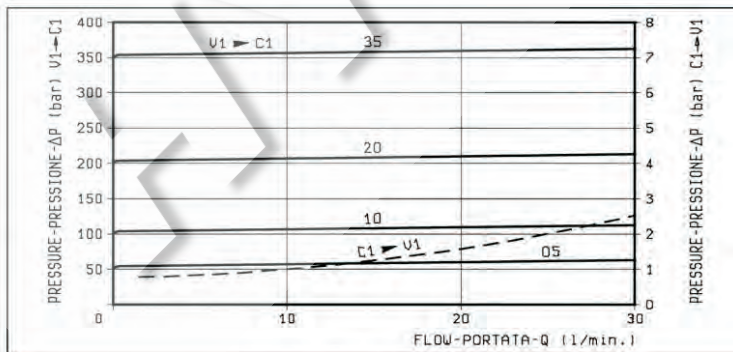
DATI TECNICI / TECHNICAL DATA

Pressione di lavoro max. 350 bar
Max. working pressure

Portata max. 30 l/min
Flow max.

Peso 0.81 kg
Weight

Curve caratteristiche misurate con pressione nulla sull'attacco "C1".
Pressure drop curves are shown with zero back pressure on "C1" port.



| X | REGOLAZIONI ADJUSTMENTS | |
|----|--|--|
| 03 | vite esterna esagono incassato leakproof hex. socket screw | |
| 04 | volantino e dado handknob and locknut | |
| | cappello per piombatura sealing cap codice / ordering code 03.05.01.003 | |

| Z | MOLLE / SPRINGS | | | | |
|----|---|---|---|-----------------------------------|------------------|
| | Campo taratura min - max bar Adj. press. range bar | Incremento press. bar / giro vite Press. increase bar / turn | Taratura standard bar (Q = 5 l/min) Std. setting bar (made at 5 l/min) | Cod. ordinazione Ordering code | Colore Colour |
| 05 | 10-50 | 11.5 | 50 | 03.51.01.077 | nero black |
| 10 | 30-100 | 23.5 | 100 | 03.51.01.076 | blu blue |
| 20 | 50-210 | 47 | 200 | 03.51.01.075 | verde green |
| 35 | 100-350 | 82 | 350 | 03.51.01.059 | giallo yellow |

| Y | ATTACCHI / PORT SIZE | |
|----|----------------------|--|
| | V1-C1 | |
| 02 | G 3/8 | |
| 03 | G 1/2 | |
| | | |
| | | |