

Part number:

**006-10127**

**HYDROMA**

HYDRAULICKÉ SYSTÉMY

**HIDROMA  
SYSTEMS**

UKŁADY HYDRAULICZNE

**HYDROMA**

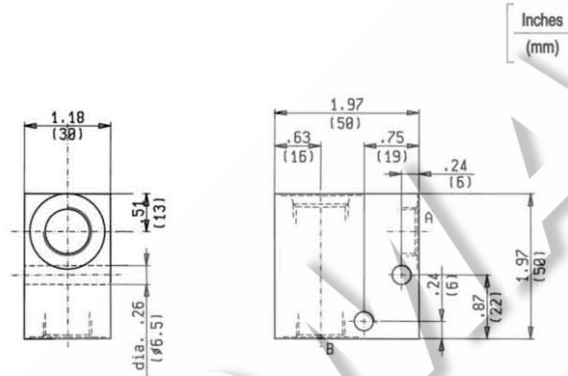
ГИДРАВЛИЧЕСКИЕ СИСТЕМЫ

**MANIFOLDS (SECTION 2)  
COMMON CAVITY**

**2 WAY STEEL      SIZE 08**

<b>CAVITY</b>	CA-08A-2N
Dimensions on page	CT.A.001.U

ORDERING CODE	PORTS	WEIGHT
	A-B	Lbs (Kg)
<b>OC.10.09.067</b>	G 1/4	0.992 (0.450)
OC.10.09.066	G 3/8	0.992 (0.450)



Inches  
(mm)

<b>MAX. PRESSURE</b>	<b>6500 psi (450 bar)</b>	<b>FEATURES</b>
		These manifolds can be supplied upon request for working pressures up to 6500 psi (450 bar) and for fatigue cycle applications.

Rev.05.05

MN2.A.002.U