

Part number:

**006-10138**

**HYDROMA**

HYDRAULICKÉ SYSTÉMY

**HIDROMA  
SYSTEMS**

UKŁADY HYDRAULICZNE

**HYDROMA**

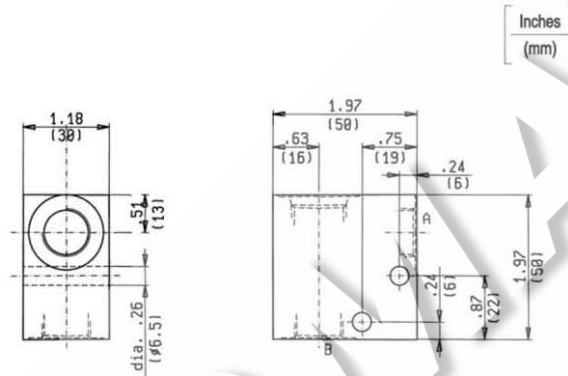
ГИДРАВЛИЧЕСКИЕ СИСТЕМЫ

STANDARD MANIFOLDS (SECTION 2)  
COMMON CAVITY

**2 WAY ALUMINIUM**    **SIZE 08**   

<b>CAVITY</b>	CA-08A-2N
Dimensions on page	CT.A.001.U

ORDERING CODE	PORTS	WEIGHT
	A-B	Lbs (Kg)
<b>OC.10.09.009</b>	G 1/4	0.331 (0.150)
OC.10.09.004	G 3/8	0.331 (0.150)



<b>MAX. PRESSURE</b>	<b>3600 psi (250 bar)</b>	<b>FEATURES</b>
		Standard manifolds in high-strength aluminum for working pressures up to 3600 psi (250 bar).

Rev.07.06

MN2.A.001.U