

Part number:

**HYDROMA**

HYDRAULICKÉ SYSTÉMY

**HIDROMA**  
SYSTEMS

UKŁADY HYDRAULICZNE

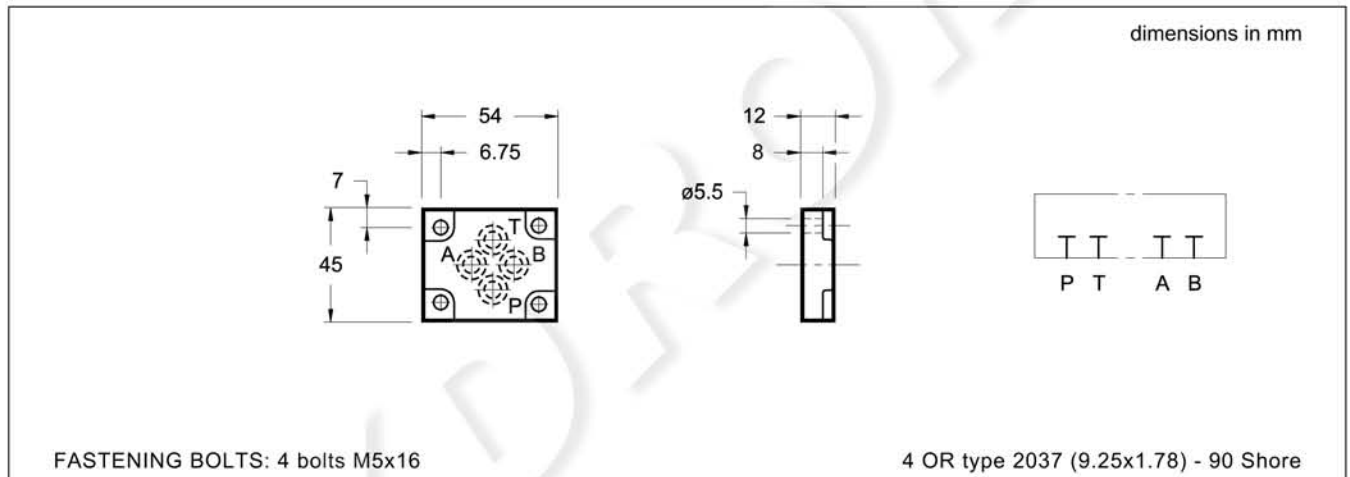
**HYDROMA**

ГИДРАВЛИЧЕСКИЕ СИСТЕМЫ

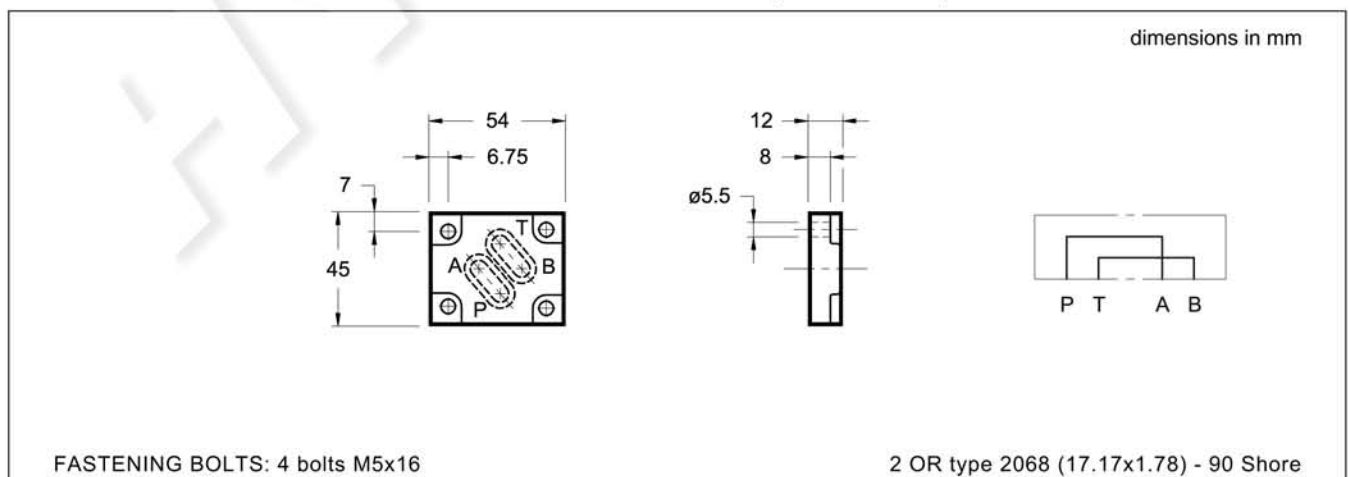
# PE BLANKING PLATE

p max 350 bar

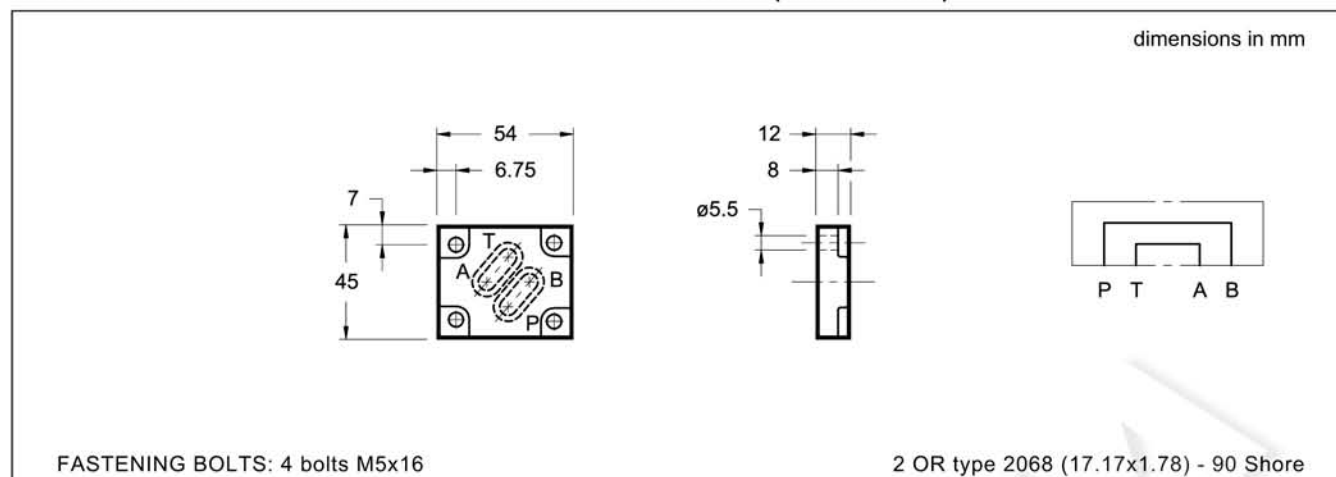
## 1 - OVERALL AND MOUNTING DIMENSIONS PE-MD1/20 (cod. 1950591)



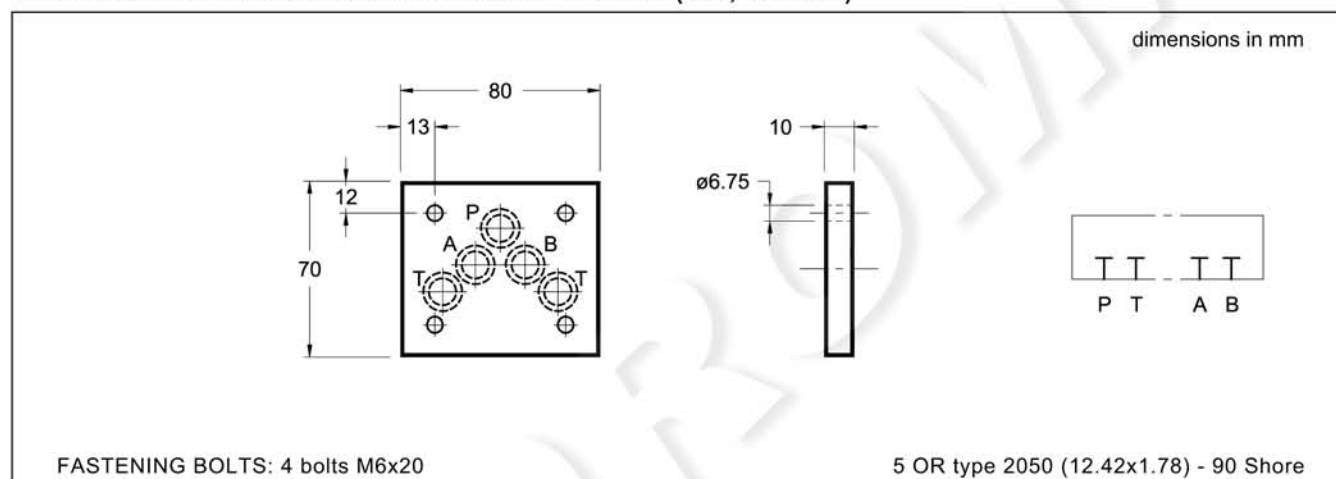
## 2 - OVERALL AND MOUNTING DIMENSIONS PE-C/PA/MD1/20 (cod. 1950751)



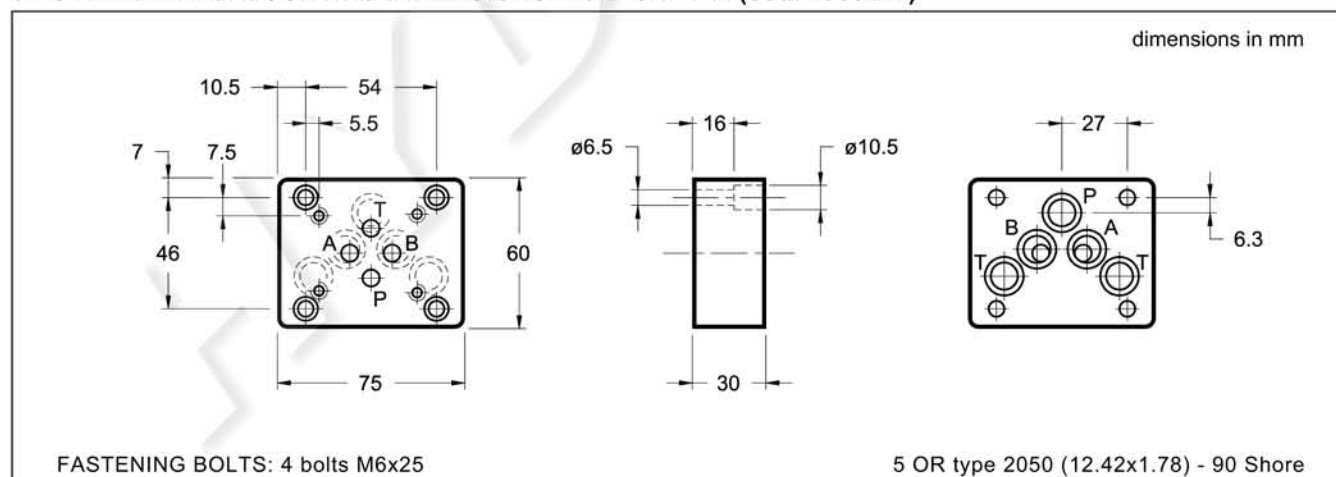
### 3 - OVERALL AND MOUNTING DIMENSIONS PE-C/PB/MD1/20 (cod. 1950601)



### 4 - OVERALL AND MOUNTING DIMENSIONS PE/D4-M (cod, 1950042)



### 5 - OVERALL AND MOUNTING DIMENSIONS PC-D4/MD1-M (cod. 1950222)



**NOTE:** On request, plates can be supplied with the O-Rings in viton. To order it, please indicate the letter /V at the end of the identification code of the plate.