

Part number:

HYDROMA

HYDRAULICKÉ SYSTÉMY

**HIDROMA
SYSTEMS**

UKŁADY HYDRAULICZNE

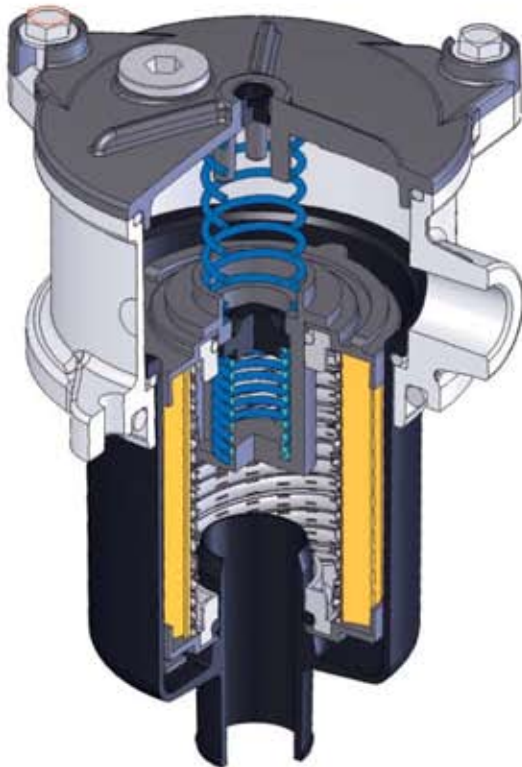
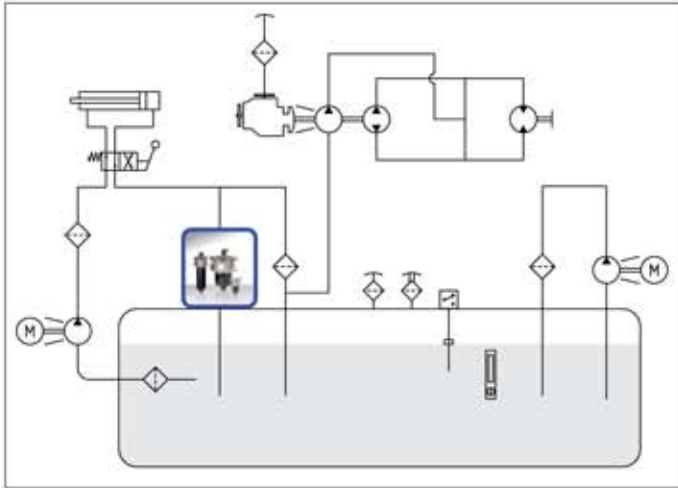
HYDROMA

ГИДРАВЛИЧЕСКИЕ СИСТЕМЫ

RFM



TANK TOP RETURN FILTER



RFM

300 kPa (3 bar)

Ports: 3/8" ÷ 2" 1/2
Flow rates: 5 ÷ 700 l/min

TECHNICAL DATA

Max. working pressure: 300 kPa (3 bar)
Max. test pressure: 500 kPa (5 bar)
Bursting pressure: 1 MPa (10 bar)
Fatigue test: 0 ÷ 300 kPa (3 bar) / 300.000 cycles
Bypass valve: Δp 170 kPa (1,7 bar) \pm 0,2

Filter element collapse pressure:

Δp 300 kPa (3 bar)
(type CD-CV) - ISO 2941
 Δp 1 MPa (10 bar)
(type DR-VR-MV-MS-MN- FT-FC-FD-FV) - ISO 2941

Working temperature: -25 ÷ +110°C

MATERIALS

Cover and head: aluminium
Bowl: polyamide (steel for size 004 and 055 to 160)
Seals: standard NBR
on request FKM

COMPATIBILITY (ISO 2943:1999)

Full with fluids: HH-HL-HM-HV-HTG
(according to ISO 6743/4).
For fluids different than the above mentioned,
please contact our Sales Department.

All tests performed according
to the following standards:

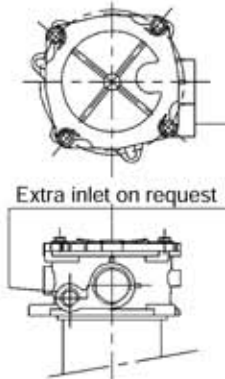
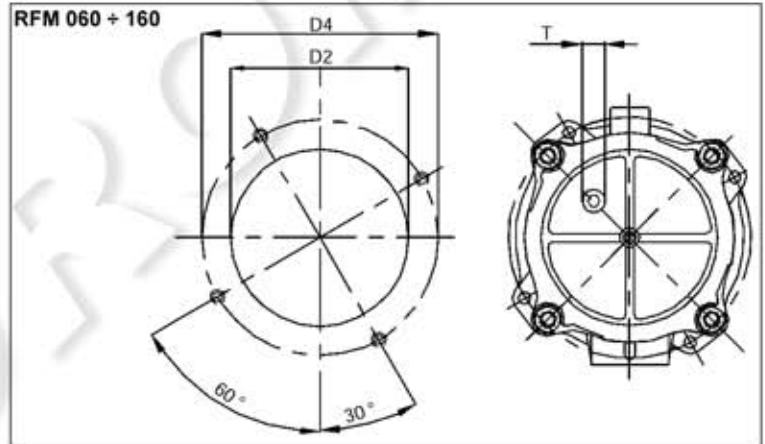
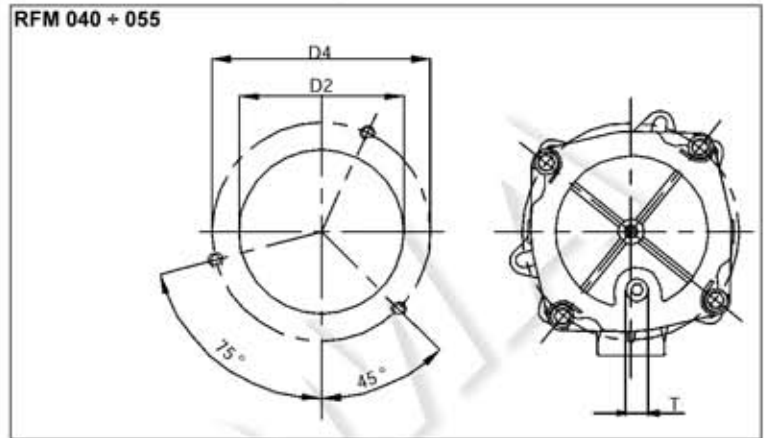
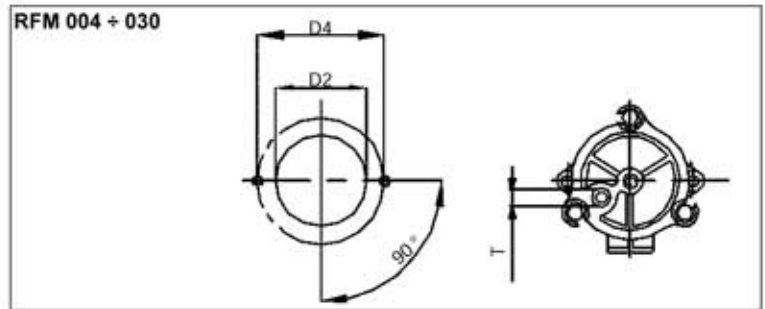
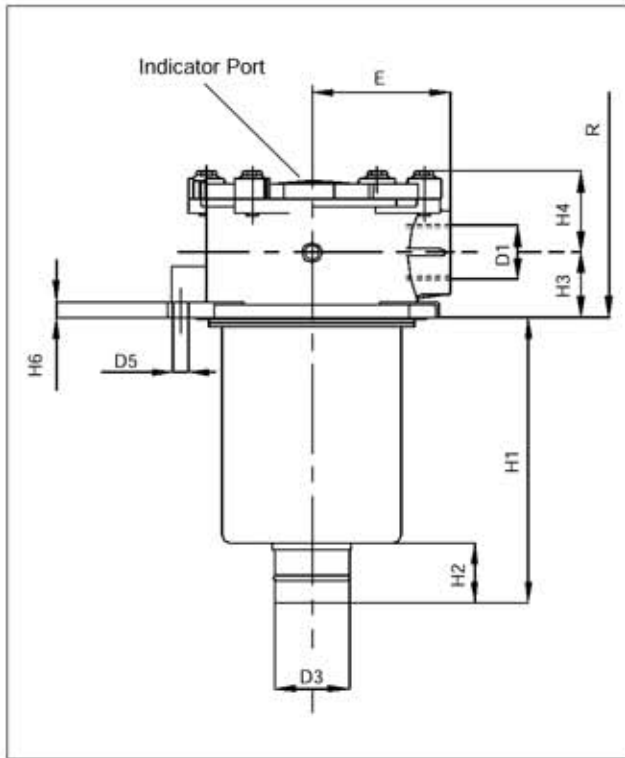
ISO 2941: Element collapse resistance test
ISO 2942: Production integrity test
ISO 2943: Fluids compatibility
ISO 3723: End load test method
ISO 3724: Flow fatigue resistance method
ISO 3968: Pressure drop versus flow rate
ISO 16889: Multipass test.

For further information contact our Technical Dept.

DIMENSIONAL LAYOUT

(mm)

TANK MOUNTING PATTERN



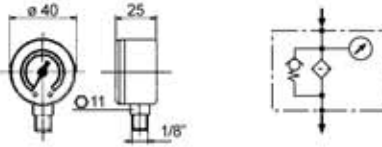
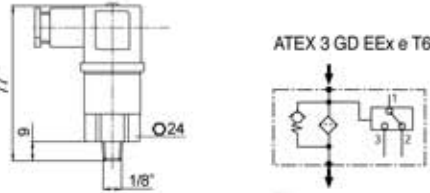
For RFM 040 - 050 - 055 only

Type	D1	D2 min	D2 max	D3	D4	D5	H1	H2	H3	H4	H5	E	T	Weight Kg
RFM 004	3/8"	50	50	12	80	6,5	59	16	12	33	9	40	1/8"	0,3
RFM 008	1/2"	67	68	24	90	6,5	80	20	22	33	9	50	3/8"	0,45
RFM 009	M 18 x 1,5	67	68	24	90	6,5	80	20	22	33	9	50	3/8"	0,45
RFM 011	M 22 x 1,5	89	90	28	115	9	107	27	28	44	12	67	3/8"	0,8
RFM 012	1/2"	89	90	28	115	9	107	27	28	44	12	67	3/8"	0,8
RFM 015	3/4"	89	90	28	115	9	107	27	28	44	12	67	3/8"	0,8
RFM 020	3/4"	89	90	28	115	9	150	27	28	44	12	67	3/8"	0,95
RFM 025	1"	89	90	28	115	9	150	27	28	44	12	67	3/8"	0,95
RFM 030	1"	89	90	40	115	9	234	30	28	44	12	67	3/8"	1,2
RFM 040	1"	126	131	40	175	10,5	248	50	35	56	13	95	1/2"	2,1
RFM 050	1" 1/4"	126	131	40	175	10,5	248	50	35	56	13	95	1/2"	2,1
RFM 055	1" 1/4"	126	131	40	175	10,5	265	30	35	56	13	95	1/2"	2,3
RFM 060	1" 1/4"	174	180	50	220	10,5	178	50	55	69	13	115	1/2"	3,1
RFM 070	1" 1/2"	174	180	50	220	10,5	178	50	55	69	13	115	1/2"	3,1
RFM 080	1" 1/2"	174	180	50	220	10,5	240	50	55	69	13	115	1/2"	3,5
RFM 100	1" 1/2"	174	180	63,5	220	10,5	240	50	55	69	13	115	1/2"	3,6
RFM 110	2" - §	174	180	63,5	220	10,5	240	50	55	69	13	115	1/2"	3,65
RFM 125	2" - §	174	180	63,5	220	10,5	240	50	55	69	13	115	1/2"	3,65
RFM 150	2" - §	174	180	63,5	220	10,5	285	50	55	69	13	115	1/2"	3,8
RFM 160	2" - §	174	180	63,5	220	10,5	300	50	55	69	13	115	1/2"	3,85

§ = 2" 1/2. Further information on request.

RFM	Type	050	055	060	070	080	100	110	125	150	160	Type	CRE
		050	055	060	060	080	100	110	125	150	160		
	Filter media											Filter media	
	FT = 5µm _{ic}	FT	FT	FT	FT	FT	FT	FT	FT	FT	FT	FT = 5µm _{ic}	
	FC = 7µm _{ic} Inorganic fiber β>1000	FC	FC	FC	FC	FC	FC	FC	FC	FC	FC	FC = 7µm _{ic} Inorganic fiber β>1000	
	FD = 12µm _{ic}	FD	FD	FD	FD	FD	FD	FD	FD	FD	FD	FD = 12µm _{ic}	
	FV = 21µm _{ic}	FV	FV	FV	FV	FV	FV	FV	FV	FV	FV	FV = 21µm _{ic}	
	CD = 10µ Paper	CD	CD	CD	CD	CD	CD	CD	CD	CD	CD	CD = 10µ Paper	
	CV = 25µ	CV	CV	CV	CV	CV	CV	CV	CV	CV	CV	CV = 25µ	
	DR = 10µ Reinforced paper	DR	DR	DR	DR	DR	DR	DR	DR	DR	DR	DR = 10µ Reinforced paper	
	VR = 25µ	VR	VR	VR	VR	VR	VR	VR	VR	VR	VR	VR = 25µ	
	MV = 25µ	MV	MV	MV	MV	MV	MV	MV	MV	MV	MV	MV = 25µ	
	MS = 60µ Metall wire mesh	MS	MS	MS	MS	MS	MS	MS	MS	MS	MS	MS = 60µ Metall wire mesh	
	MN = 90µ	MN	MN	MN	MN	MN	MN	MN	MN	MN	MN	MN = 90µ	
1	Seals											Seals	1
	1 = NBR Nitrile	1	1	1	1	1	1	1	1	1	1	1 = NBR Nitrile	
B	Bypass type												
	B = 170 kPa (1,7 bar)	B	B	B	B	B	B	B	B	B	B		
	Ports												
	B = BSP thread	B	B	B	B	B	B	B	B	B	B		
	N = NPT thread	N	N	N	N	N	N	N	N	N	N		
	S = SAE thread	S	S	S	S	S	S	S	S	S	S		
	F = SAE flange 3000 psi	-	-	-	-	-	-	F	F	F	F	F9 only	
	Port size												
	6 = 1" 1/4	6	6	6	-	-	-	-	-	-	-		
	7 = 1" 1/2	-	-	-	7	7	7	-	-	-	-		
	8 = 2"	-	-	-	-	-	-	8	8	8	8	B8 / N8 / S8 only	
	9 = 2" 1/2 SAE 3000 psi	-	-	-	-	-	-	9	9	9	9	F9 only	
	Indicators												
	01 = Port, plugged	01	01	01	01	01	01	01	01	01	01		
	32 = Pressure gauge	32	32	32	32	32	32	32	32	32	32		
	P1 = Pressure switch	P1	P1	P1	P1	P1	P1	P1	P1	P1	P1		
	Accessories												
	S = No accessory	S	S	S	S	S	S	S	S	S	S		
	T = With filling plug	T	T	T	T	T	T	T	T	T	T		
X	Accessories												
	X = No accessory available	X	X	X	X	X	X	X	X	X	X		

CLOGGING INDICATORS

NBR	FKM	Pressure gauge	
32	-	Scale 0 ÷ 600 kPa (6 bar)	
NBR	FKM	Pressure switch	
P1	-	Setting 150 kPa (1,5 bar)	
SPDT, C.C. 30V: > max resistive or inductive load 3A - 1A respectively C.A. 125 or 250V: > max resistive or inductive load 3A - 0,5A respectively Protection IP65 - Connector DIN 43650			

FLOW RATES

(l/min)

The reference fluid has a kinematic viscosity of 30 cSt and a density of 0,86 Kg/dm³.
 For different oil viscosity please contact our Sales Department for further information.

Type	Filter Media										
	FT	FC	FD	FV	CD	DR	CV	VR	MV	MS	MN
RFM 004	5	8	9	10	15	15	17	17	19	20	25
RFM 008	8	12	14	16	20	20	23	23	27	30	35
RFM 009	8	12	14	16	20	20	23	23	27	30	35
RFM 011	20	25	28	32	35	35	40	40	45	50	55
RFM 012	20	25	28	32	35	35	40	40	45	50	55
RFM 015	25	30	32	38	40	40	45	45	50	60	65
RFM 020	35	40	46	54	55	55	60	60	65	80	85
RFM 025	45	50	60	65	65	65	70	70	85	100	110
RFM 030	58	70	70	84	84	84	90	90	110	130	142
RFM 040	70	80	85	95	100	100	105	105	120	150	160
RFM 050	80	95	105	115	120	120	130	130	150	180	185
RFM 055	95	105	120	125	140	140	150	150	170	200	200
RFM 060	85	100	108	122	125	125	135	135	170	240	250
RFM 070	90	110	110	132	150	150	160	160	200	260	270
RFM 080	115	155	170	185	200	200	210	210	250	310	325
RFM 100	120	160	178	192	205	205	215	215	255	315	330
RFM 110	180	210	240	260	300	300	320	320	370	450	465
RFM 125	180	210	240	260	300	300	320	320	370	450	465
RFM 150	195	230	280	290	380	380	410	410	480	560	570
RFM 160	285	320	361	380	450	450	500	500	570	650	670

DIRT HOLDING CAPACITY

(g) ISO MTD $\Delta p = 170$ kPa (1,7 bar)

Type	Filter Media			
	FT	FC	FD	FV
RFM 004	1,8	2,4	2,6	4,0
RFM 008	2,3	2,9	3,34	5,18
RFM 009	2,3	2,9	3,34	5,18
RFM 011	4,9	6,3	7,1	10,8
RFM 012	4,9	6,3	7,1	10,8
RFM 015	4,9	6,3	7,1	10,8
RFM 020	7,5	9,8	10,9	16,2
RFM 025	7,5	9,8	10,9	16,2
RFM 030	10,7	13,8	15,3	22,6
RFM 040	27,6	36,4	40,2	59,4
RFM 050	27,6	36,4	40,2	59,4
RFM 055	32,8	43,1	47,0	70,5
RFM 060	27,9	36,8	40,48	59,8
RFM 070	27,9	36,8	40,48	59,8
RFM 080	35,4	46,4	50,6	75,9
RFM 100	35,4	46,4	50,6	75,9
RFM 110	35,8	47,0	52,0	76,7
RFM 125	42,7	56,1	62,1	91,6
RFM 150	44,3	58,3	64,4	95,1
RFM 160	47,7	62,4	69,0	102,0

FILTER AREA

(cm²)

Type	Filter Media						
	MV	MS	MN	CD	DR	CV	VR
RFM 004	205	205	205	345	345	345	345
RFM 008	290	290	290	380	380	380	380
RFM 009	290	290	290	380	380	380	380
RFM 011	460	460	460	990	990	990	990
RFM 012	460	460	460	990	990	990	990
RFM 015	460	460	460	990	990	990	990
RFM 020	712	712	712	1600	1600	1600	1600
RFM 025	712	712	712	1600	1600	1600	1600
RFM 030	1200	1200	1200	2670	2670	2670	2670
RFM 040	1738	1738	1738	4280	4280	4280	4280
RFM 050	1738	1738	1738	4280	4280	4280	4280
RFM 055	2075	2075	2075	5120	5120	5120	5120
RFM 060	2380	2055	1740	4400	4400	4400	4400
RFM 070	2380	2055	1740	4400	4400	4400	4400
RFM 080	3430	2955	2485	6500	6500	6500	6500
RFM 100	3430	2955	2485	6500	6500	6500	6500
RFM 110	3800	3800	3800	7050	7050	7050	7050
RFM 125	4395	3780	3160	7650	7650	7650	7650
RFM 150	4816	4075	3430	8350	8350	8350	8350
RFM 160	5070	4600	4275	8800	8800	8800	8800

Technical data subject to variations without prior notice. RFM 10/2012