

Part number:

HYDROMA

HYDRAULICKÉ SYSTÉMY

**HIDROMA
SISTEMS**

UKŁADY HYDRAULICZNE

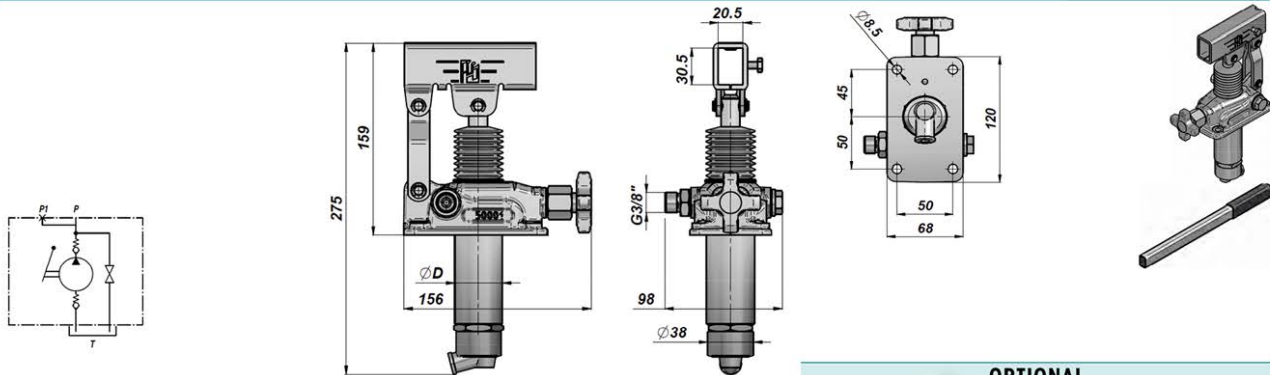
HYDROMA

ГИДРАВЛИЧЕСКИЕ СИСТЕМЫ

POMPE A MANO E SERBATOI
HAND PUMPS AND TANKS - HANDPUMPEN UND TANKS

POMPA A MANO - PREDISPOSTA PER SERBATOIO CON RUBINETTO DI SCARICO
HAND PUMP - SUITABLE FOR OIL TANK WITH LOWERING VALVE
HANDPUMPE - MIT TANKEINRICHTUNG MIT ABLASSHAHN

PAM-TS



| Codice Code Bestell-Nr. | Tipo Type Typ | cm ³ /ciclo cm ³ /cycle cm ³ /Hub | P MAX bar | ØD | kg | OPTIONAL | | |
|----------------------------|------------------|--|--------------|----|------|----------------------------|------------------------------|------|
| | | | | | | Codice Code Bestell-Nr. | Dimensioni Sizes Größe | kg |
| PAM0141202 | PAM-TS 12 | 12 | 380 | 30 | 2,85 | | | |
| PAM0142502 | PAM-TS 25 | 25 | 350 | 35 | 2,96 | PAM0290000 | 20x30x600 | 0,71 |
| PAM0144502 | PAM-TS 45 | 42 | 280 | 40 | 3,10 | | | |

LEVA - HAND LEVER - HEBEL

LEVA FORNITA A PARTE - LEVER SUPPLIED SEPARATELY - DER HEBEL WIRD SEPARAT GELIEFERT

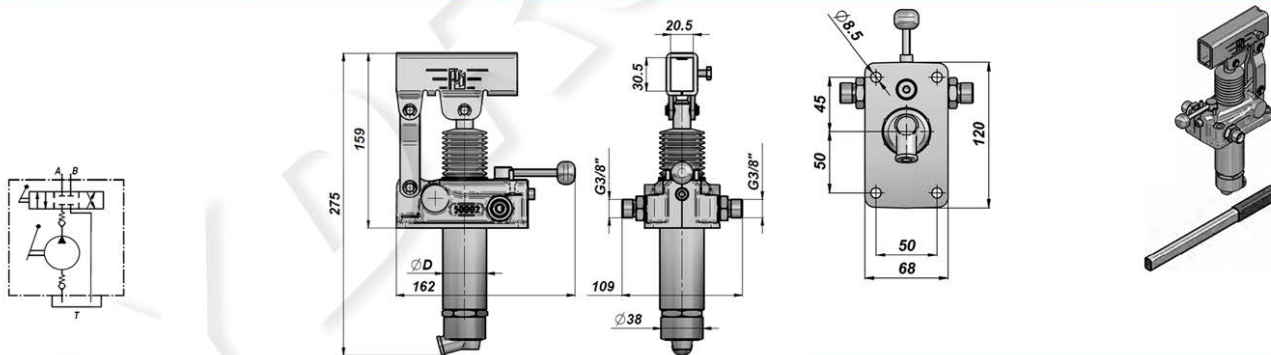
Funzionamento D.E. per cilindro S.E. - Double-stroke for a S.A. cylinder - DW Handpumpe für EW Zylinder
Temperatura d'esercizio - Working temperature - Temperaturbereich: -20°C + 80°C

A RICHIESTA - ON REQUEST - AUF ANFRAGE:

- PAM-TSV = VALVOLA DI MAX. PRESSIONE INCORPORATA - BUILT-IN PRESSURE RELIEF VALVE - MIT DRUCKBEGRENZUNGSVENTIL (150 bar)
- PAM-TRS = CON LEVA A RILASCIO - WITH LEVER RELEASE - MIT AUSLASSLÖSHEBEL
- PAMX-TS = SUPPORTO PER LEVA TONDA - ROUND LEVER HOLDER - TRÄGER FÜR RUNDEN HEBEL
- PM00290100 = LEVA TONDA - ROUND LEVER - RUNDEN HEBEL : ø27 L-600 (PAMX)
- FPM = O-RING: VITON
- WMQ = O-RING: FLUOROSILICONE - FLUORINE-SILICONE - FLUORSILIKON

POMPA A MANO - PREDISPOSTA PER SERBATOIO CON DEVIATORE A 4 VIE
HAND PUMP - SUITABLE FOR OIL TANK WITH 4-WAY DIVERTER
HANDPUMPE - MIT TANKEINRICHTUNG MIT 4-WEGE-VENTIL

PAM-TDS



| Codice Code Bestell-Nr. | Tipo Type Typ | cm ³ /ciclo cm ³ /cycle cm ³ /Hub | P MAX bar | ØD | kg | OPTIONAL | | |
|----------------------------|------------------|--|--------------|----|------|----------------------------|------------------------------|------|
| | | | | | | Codice Code Bestell-Nr. | Dimensioni Sizes Größe | kg |
| PAM0151201 | PAM-TDS 12 | 12 | 380 | 30 | 2,96 | | | |
| PAM0152501 | PAM-TDS 25 | 25 | 350 | 35 | 3,07 | PAM0290000 | 20x30x600 | 0,71 |
| PAM0154501 | PAM-TDS 45 | 42 | 280 | 40 | 3,20 | | | |

LEVA - HAND LEVER - HEBEL

LEVA FORNITA A PARTE - LEVER SUPPLIED SEPARATELY - DER HEBEL WIRD SEPARAT GELIEFERT

Funzionamento D.E. per cilindro D.E. - Double-stroke for a D.A. cylinder - DW Handpumpe für DW Zylinder
Temperatura d'esercizio - Working temperature - Temperaturbereich: -20°C + 80°C

A RICHIESTA - ON REQUEST - AUF ANFRAGE:

- PAM-TDSV = VALVOLA DI MAX. PRESSIONE INCORPORATA - BUILT-IN PRESSURE RELIEF VALVE - MIT DRUCKBEGRENZUNGSVENTIL (150 bar)
- PAMX-TDS = SUPPORTO PER LEVA TONDA - ROUND LEVER HOLDER - TRÄGER FÜR RUNDEN HEBEL
- PM00290100 = LEVA TONDA - ROUND LEVER - RUNDEN HEBEL : ø27 L-600 (PAMX)
- FPM = O-RING: VITON
- WMQ = O-RING: FLUOROSILICONE - FLUORINE-SILICONE - FLUORSILIKON