

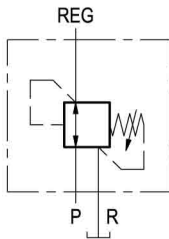
Part number:

Pressure reducing and relieving, direct acting spool type



VRP-R

05.90.27 - X - Y - Z

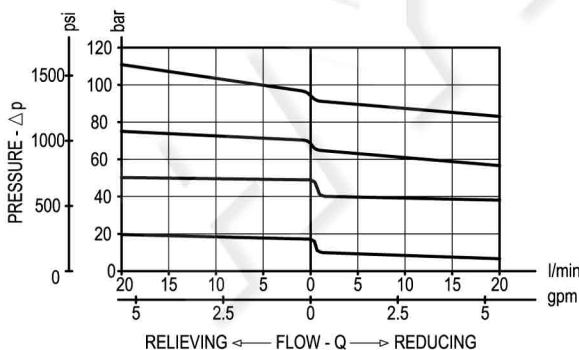


P = Inlet
REG = A (Reduced pressure)
R = T (Tank)

Description

Initially, flow passes freely from P to REG. When the pressure at REG exceeds the pressure setting, the valve acts to restrict input flow at P. This increases the pressure drop through the valve and maintains consistent pressure at REG. The spring chamber is drained to prevent a build-up of back-pressure against the spool. Additionally, if pressure at REG rises above the pressure setting, flow is relieved to R (Tank) until the setting is re-attained.

Performance



Technical data

Hydraulic

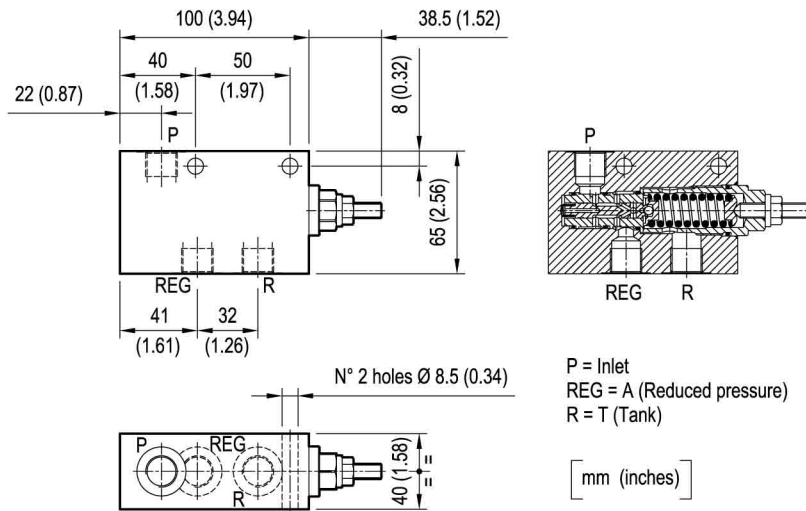
Max. operating pressure	bar (psi)	210 (3000)
Max. flow	l/min (gpm)	20 (5)
Max leakage: 10 cc/min (0.6 in ³ /min) at 90% of pressure setting.		

General

Manifold material	Aluminium	
Note: aluminium bodies are often strong enough for operating pressures exceeding 210 bar (3000 psi), depending from the fatigue life expected in the specific application. If in doubt, consult our Service Network.		
Weight	kg (lbs)	0.85 (1.87)
Fluid temperature range	°C (°F)	between -30 (-22) and +100 (212)
Other technical data	see data sheet RE 18350-50	

Note: for applications outside these parameters, please consult us.

Dimensions



Ordering code

05.90.27 X Y Z

Pressure reducing and relieving,
direct acting spool type

Adjustments

= 03 Leakproof hex. socket screw



Port sizes	P	R	REG
= 02	G 3/8	G 3/8	G 3/8

SPRINGS

	Adj. pressure range bar (psi)	Pres. increase bar/turn (psi/turn)	Std. setting Q=5 (l/min.) bar (psi)
= 02	2-21 (30-305)	3 (44)	10 (145)
= 04	3-42 (44-610)	5 (73)	20 (290)
= 06	7-63 (102-914)	8 (116)	30 (435)
= 10	11-105 (160-1525)	13 (189)	50 (725)

Type	Material number
05902703020200B	R930002585
05902703020400B	R930002587
05902703020600B	R930002588
05902703021000B	R930002589

Type	Material number