

Part number:

006-10518

HYDROMA

HYDRAULICKÉ SYSTÉMY

**HIDROMA
SYSTEMS**

UKŁADY HYDRAULICZNE

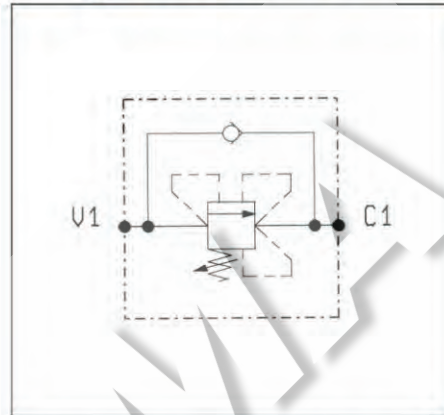
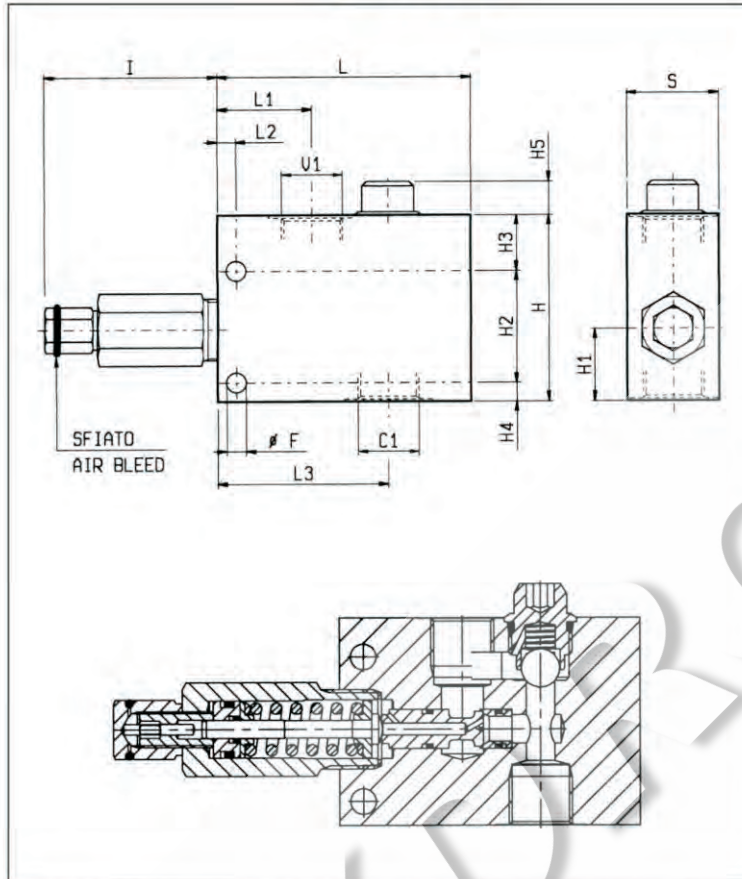
HYDROMA

ГИДРАВЛИЧЕСКИЕ СИСТЕМЫ

**SEQUENZA, OTTURATORE DIFFERENZIALE
DIFFERENTIAL PISTON SEQUENCE**

VSQD-CC

05.22.03 - X - Y - Z



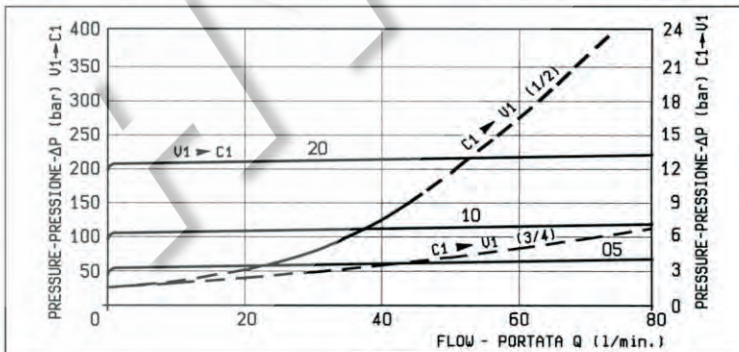
DATI TECNICI / TECHNICAL DATA

Pressione di lavoro max. 350 bar
Max. working pressure

Portata max. 80 l/min
Flow max.

Funzionamento corretto con pressione sul circuito secondario non inferiore a 20 bar.
For good performance, the pressure in the secondary circuit should not drop below 20 bar.

| | | | | | | | | | | | | | | | | |
|----------|----|----|----|-----|----|----|----|----|----|----|----|-----|--|----------|-----|----------------------|
| 40 | 74 | 8 | 41 | 110 | 75 | 13 | 8 | 24 | 48 | 31 | 80 | 8.5 | | | 3/4 | 1.39 |
| 35 | 67 | 8 | 41 | 100 | 75 | 10 | 8 | 13 | 48 | 32 | 69 | 8.5 | | | 1/2 | 1.11 |
| S | L3 | L2 | L1 | L | I | H5 | H4 | H3 | H2 | H1 | H | F | | Y | | Peso kg Weight kg |



**X REGOLAZIONI
ADJUSTMENTS**

03 vite interna esagono incassato leakproof inner hex. socket screw



| Z | MOLLE / SPRINGS | | | | |
|-----------|---|---|---|-----------------------------------|------------------|
| | Campo taratura min - max bar Adj. press. range bar | Incremento press. bar / giro vite Press. increase bar / turn | Taratura standard bar (Q = 5 l/min) Std. setting bar (Q = 5 l/min) | Cod. ordinazione Ordering code | Colore Colour |
| 05 | 15-50 | 15.5 | 50 | 03.51.01.150 | nero black |
| 10 | 40-100 | 33 | 100 | 03.51.01.151 | blu blue |
| 20 | 70-210 | 68 | 200 | 03.51.01.152 | verde green |

Y ATTACCHI / PORT SIZE

03 G 1/2
04 G 3/4